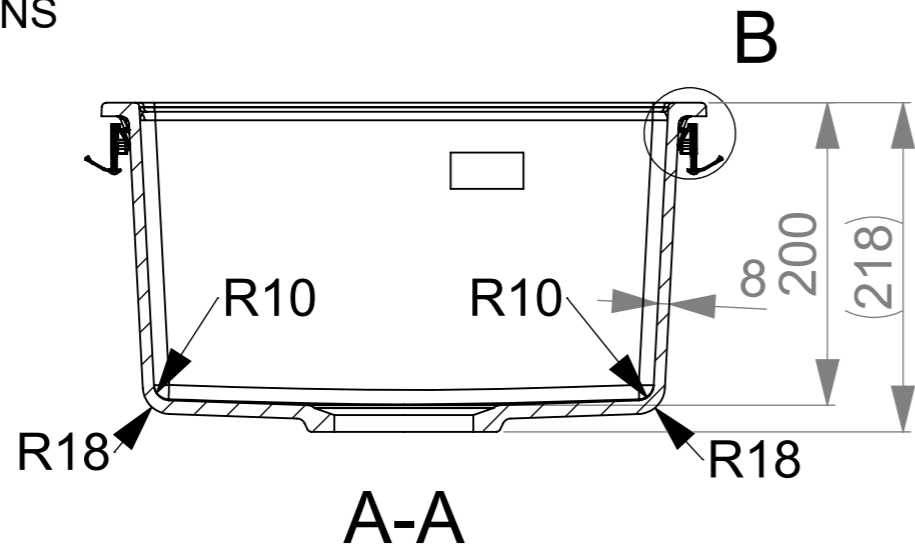
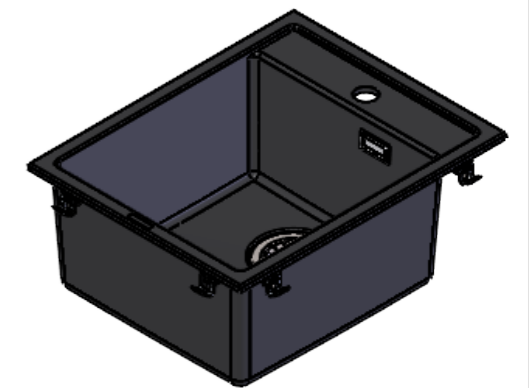
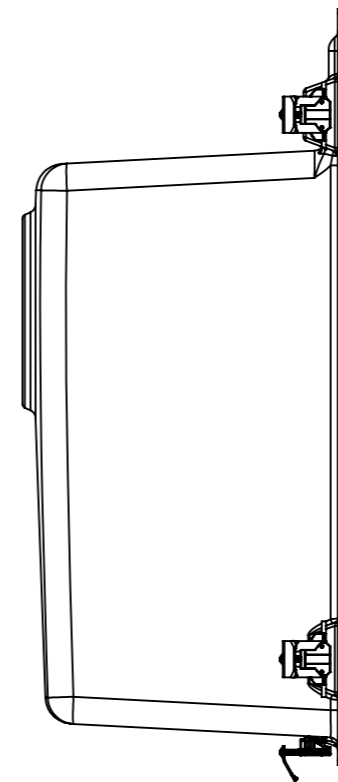
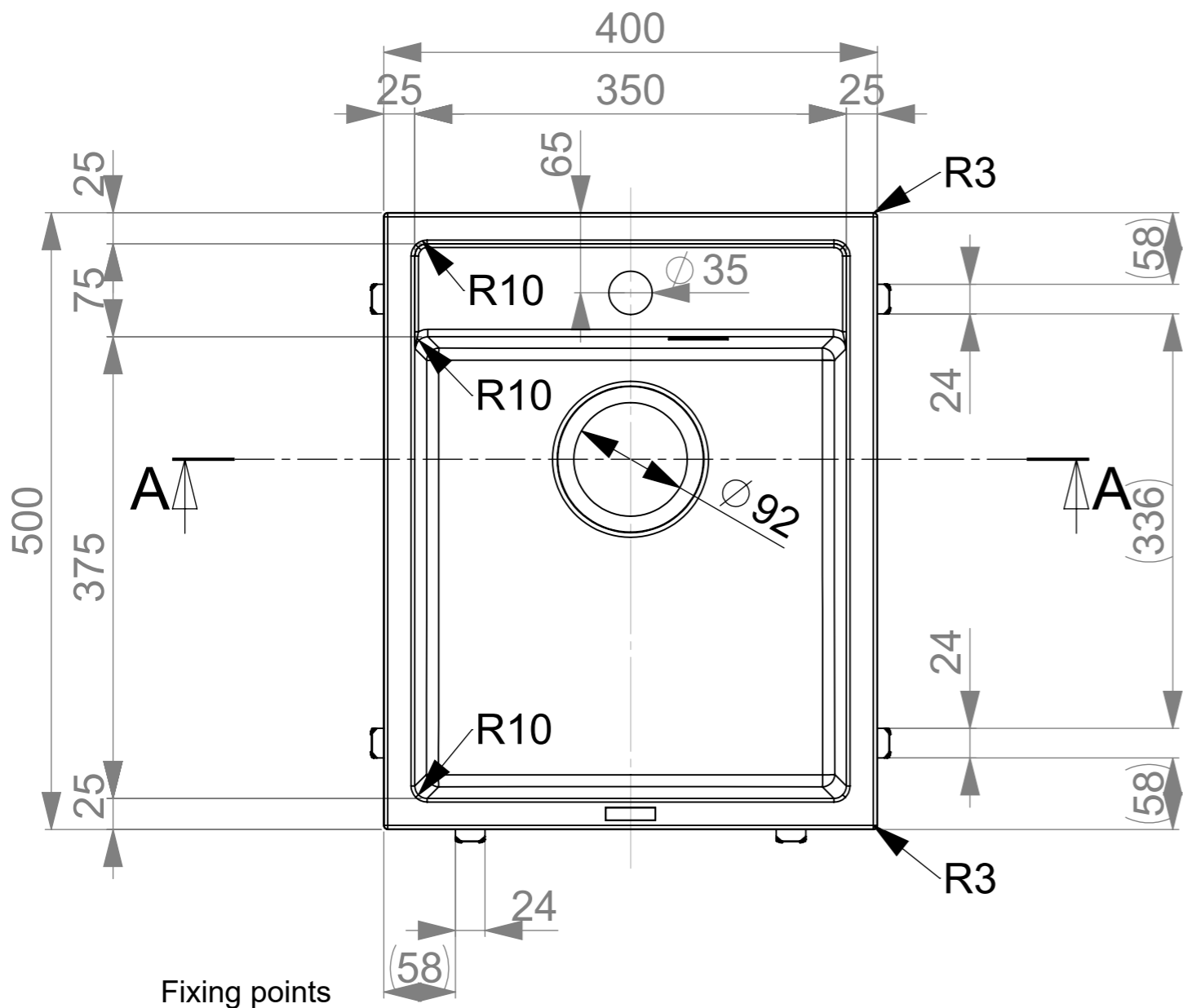
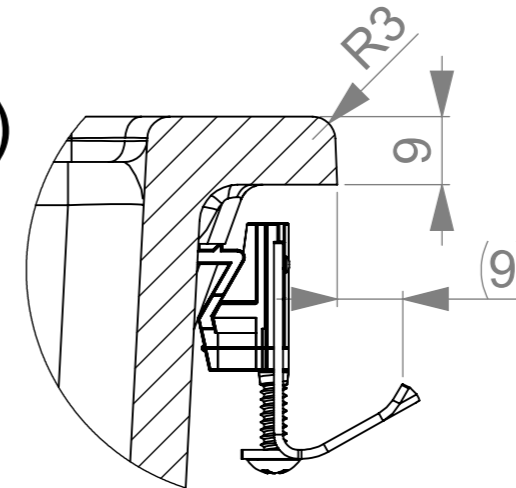


MAIN DIMENSIONS

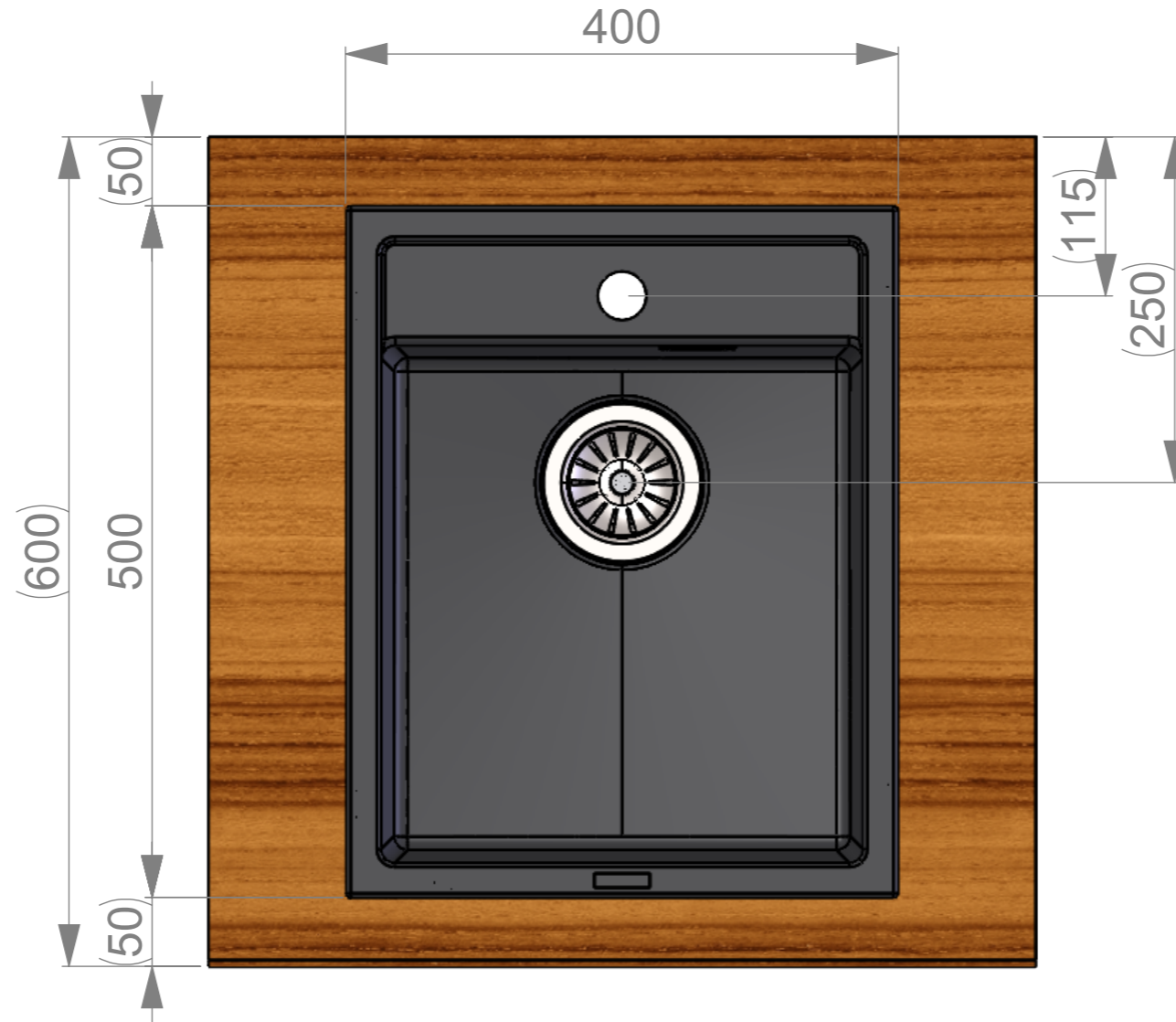


B (1 : 1)



	Mass	kg	General tolerance	Designed by	Date
	Size	Scale		Item	VS
	A3	1:5	Description	Approved by	Date
			CEG40-50B	JP	28.09.2022
			Technical Data Sheet	Drawing number	Sheet/sheets
				19527	1/6
					Rev
					A

WORKTOP ASSEMBLY

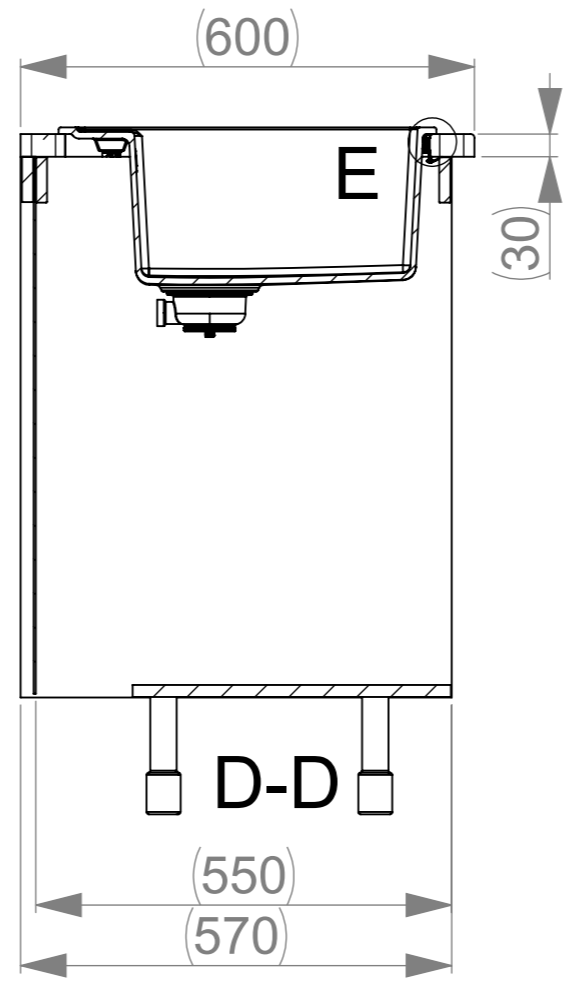
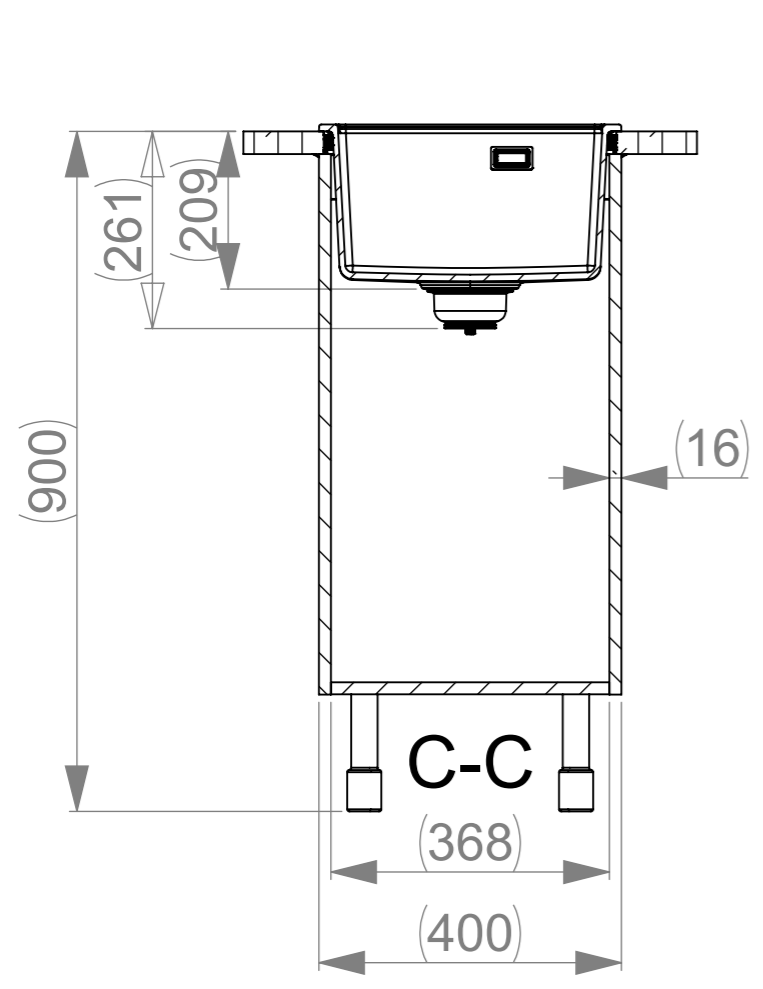


Change description	Date	Designed by
--------------------	------	-------------

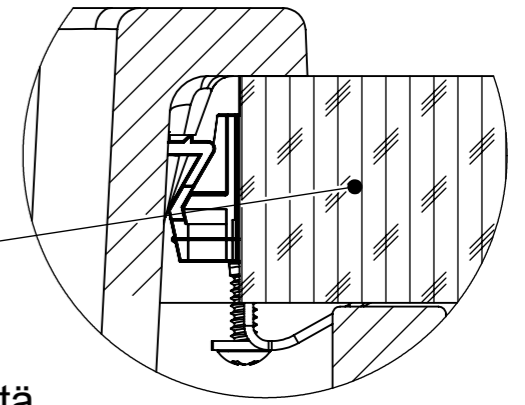
	Mass	kg	General tolerance	Designed by	Date
	Size	Scale	Item	VS	08.08.2022
 Member of	A3	1:5	Description	Approved by	Date
			CEG40-50B	JP	28.09.2022
			Technical Data Sheet	Drawing number	Sheet/sheets
			19527	2/6	Rev
				A	

1	2	3	4	5	6	7	8
Change description					Date	Designed by	

# SPACE REEQUIREMENTS



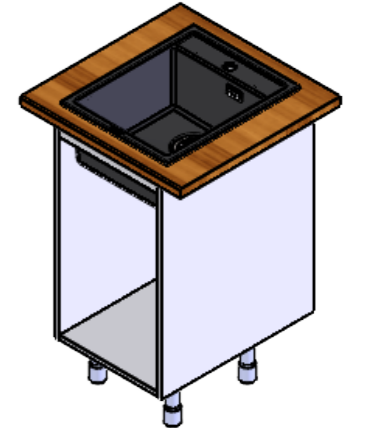
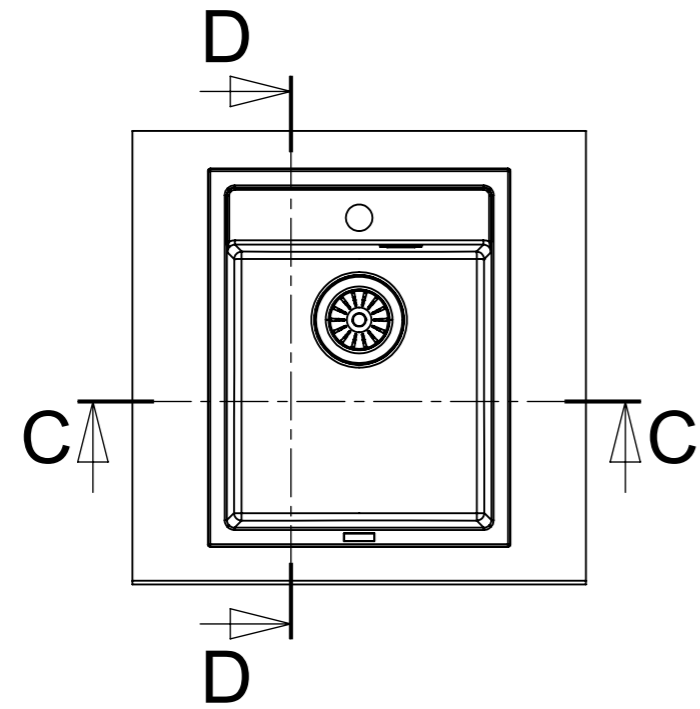
E (1:1)



Huom!  
 Tarvittaessa kaapin väliseinää ja etu/takalistaa lovetettava kiinnikkeitä varten ja pesuallas on kiinnitettävä ennen työtason asennusta.

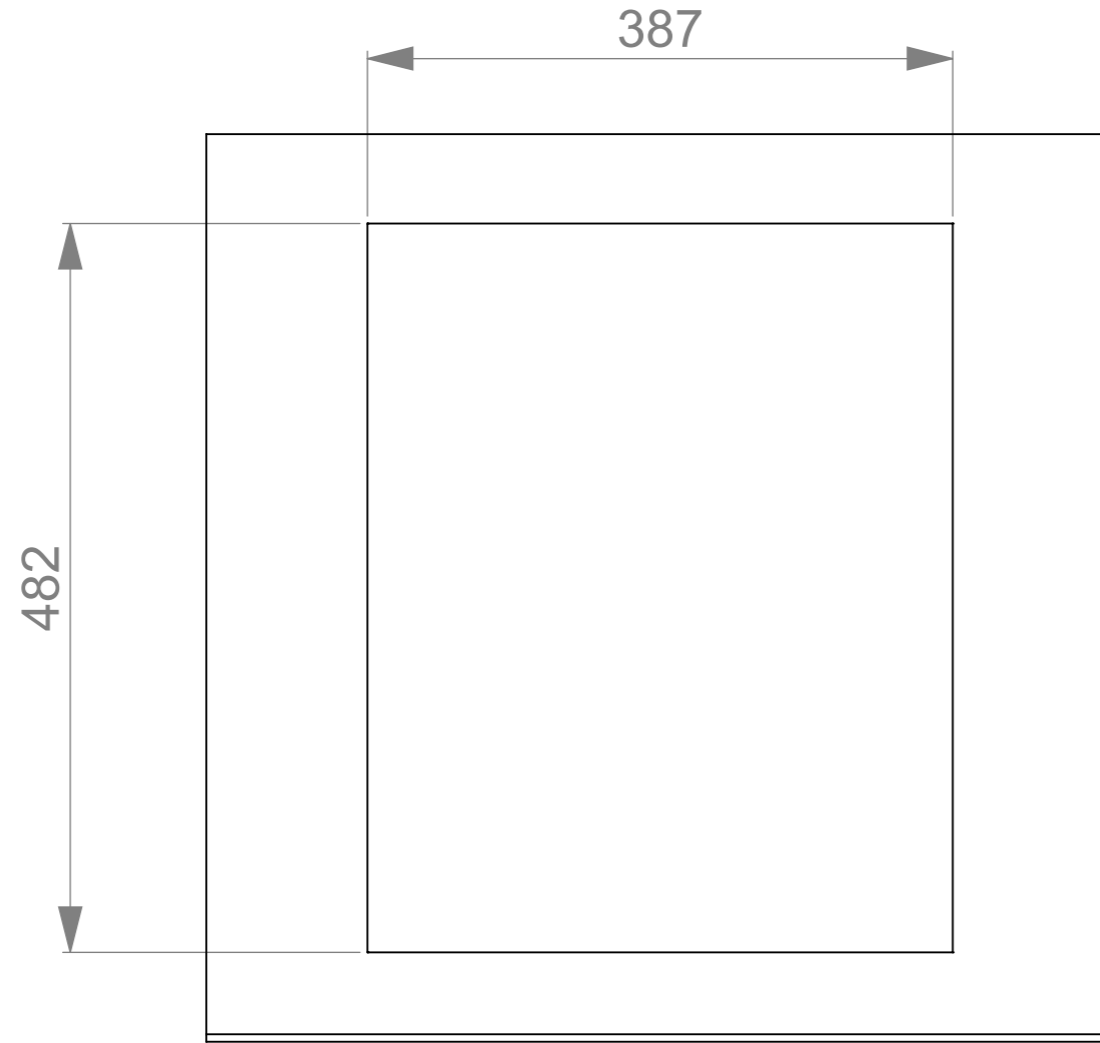
Obs!  
 Vid behov måste en inskärning för hofästena göras i skåpets mellanvägg och förbindningslist och diskbänken måste fästas innan du monterar bänkskivan.

Notice!  
 The partition walls and front/back list of the cupboard must be notched for the sink mountings when needed and the sink must be fastened before installing the worktop.



	Mass	kg	General tolerance	Designed by	Date
	Size	Scale		VS	08.08.2022
	A3	1:10	Item	Approved by	Date
				JP	28.09.2022
			Description	Drawing number	Sheet/sheets
				CEG40-50B	19527
Member of ALVEUS			Technical Data Sheet	Rev	A

CUT-OUT



Change description	Date	Designed by
--------------------	------	-------------

	Mass	kg	General tolerance	Designed by	Date
	Size	Scale	Item	VS	08.08.2022
<b>STALA</b> Member of <b>ALVEUS</b>	A3	1:5	Description	Approved by	Date
			CEG40-50B	JP	28.09.2022
			Technical Data Sheet	Drawing number	Sheet/sheets
			<b>19527</b>	4/6	Rev
				A	

