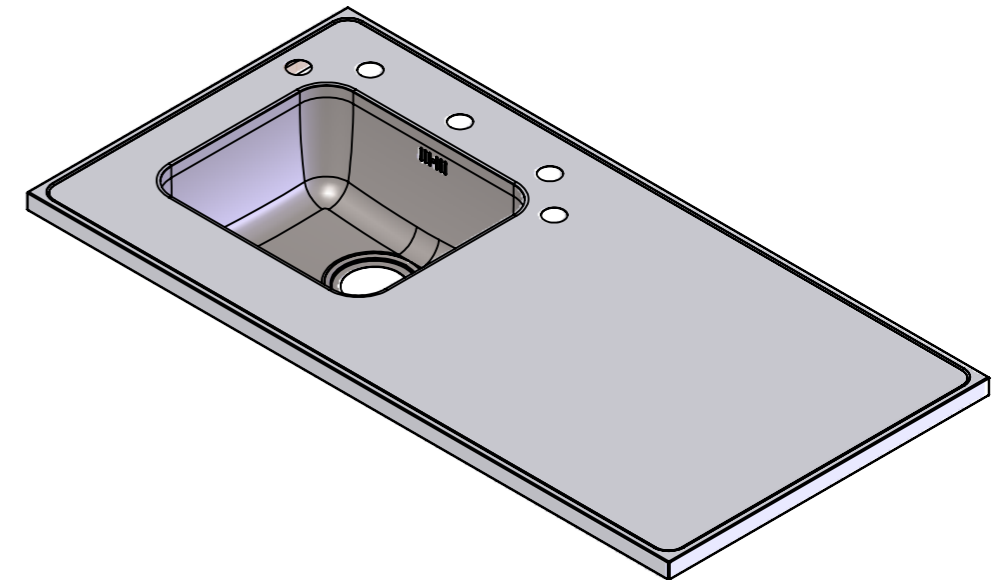
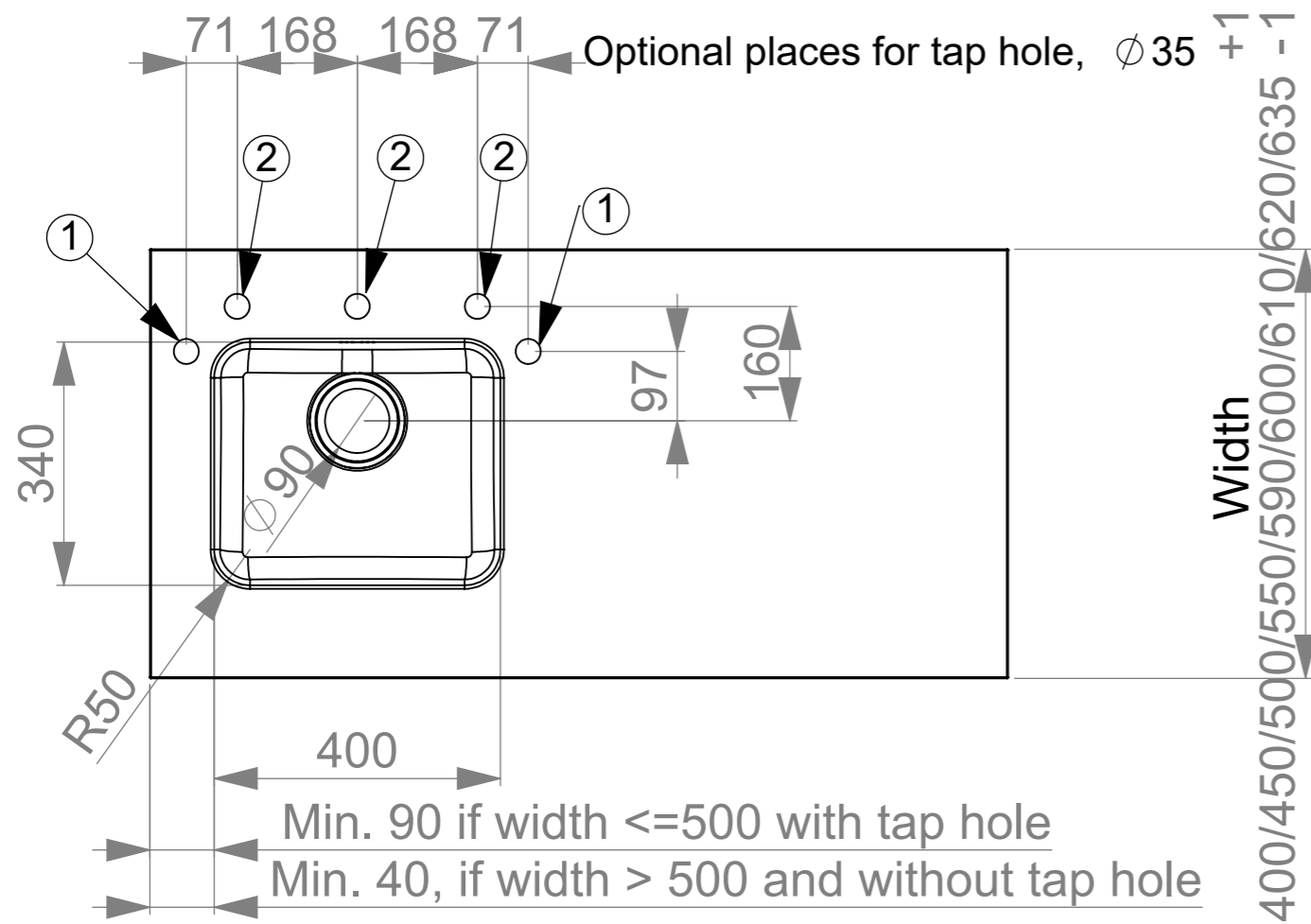
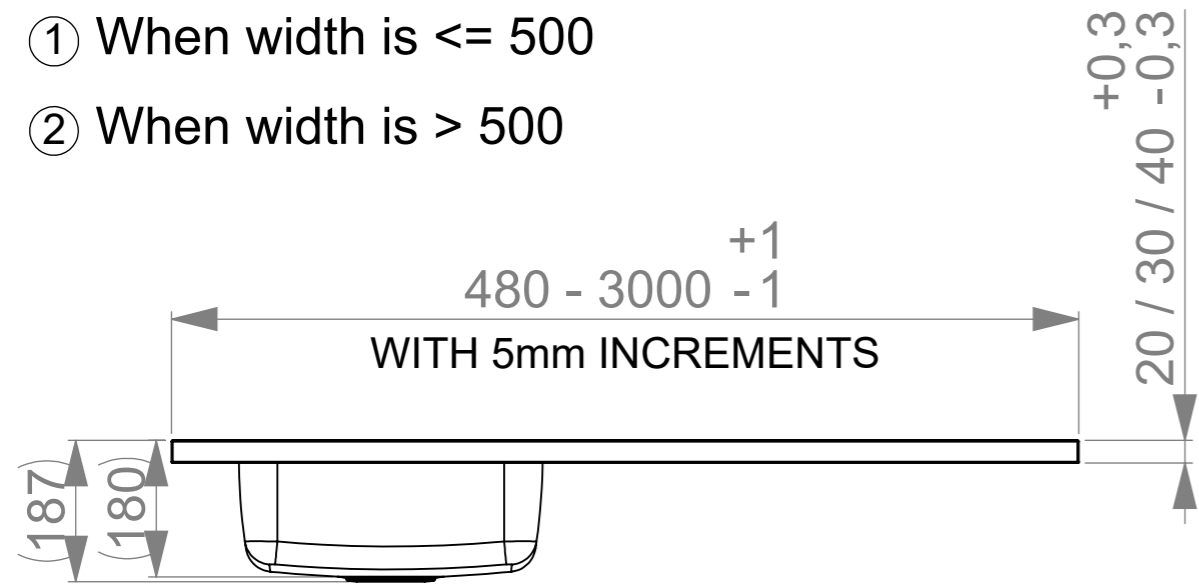


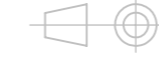
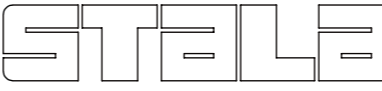
Change description
Under construction upprgraded

Date
27.05.2020
Designed by
VS

MAIN DIMENSIONS

- ① When width is ≤ 500
- ② When width is > 500



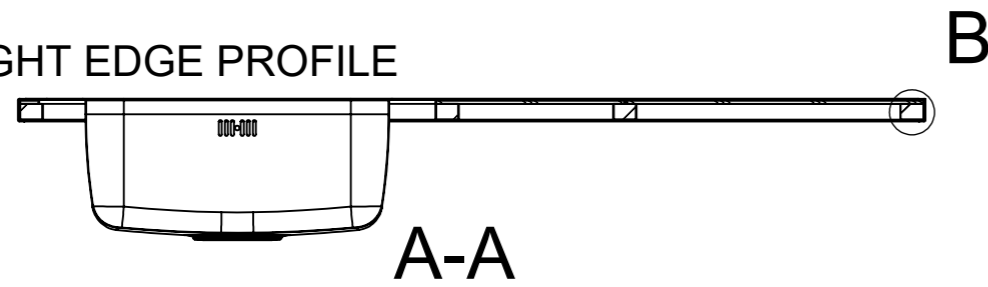
	Mass	11.64 kg	General tolerance	Designed by	VS	Date	14.11.2019	
	Size	A3		Scale	1:10	Item	Approved by	JP
 www.stala.com	Description			Drawing number	Sheet/sheets			
	N SEVEN			19028		1/5		
Technical Data Sheet				Rev		B		

Change description
Under construction upgraded

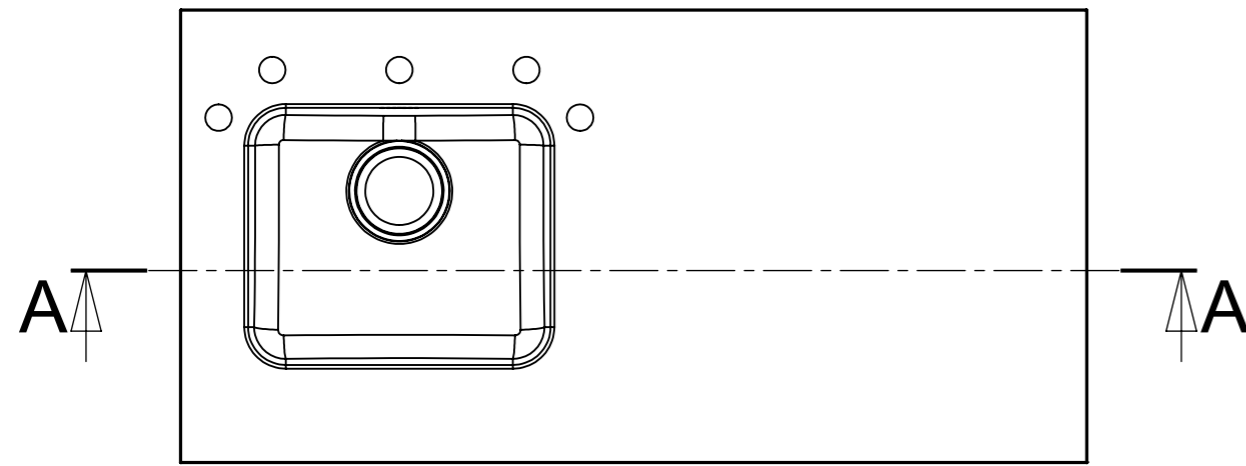
Date
27.05.2020
Designed by
VS

EDGE PROFILES

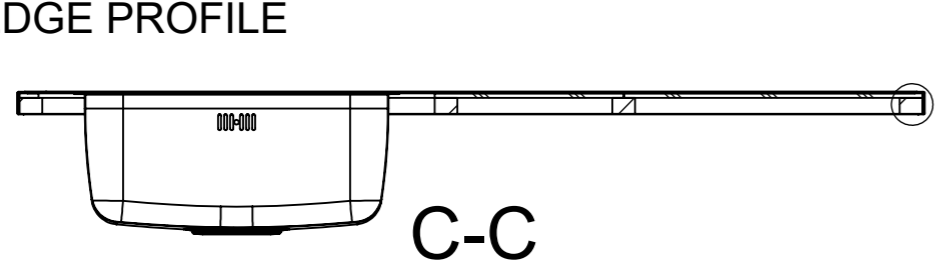
STRAIGHT EDGE PROFILE



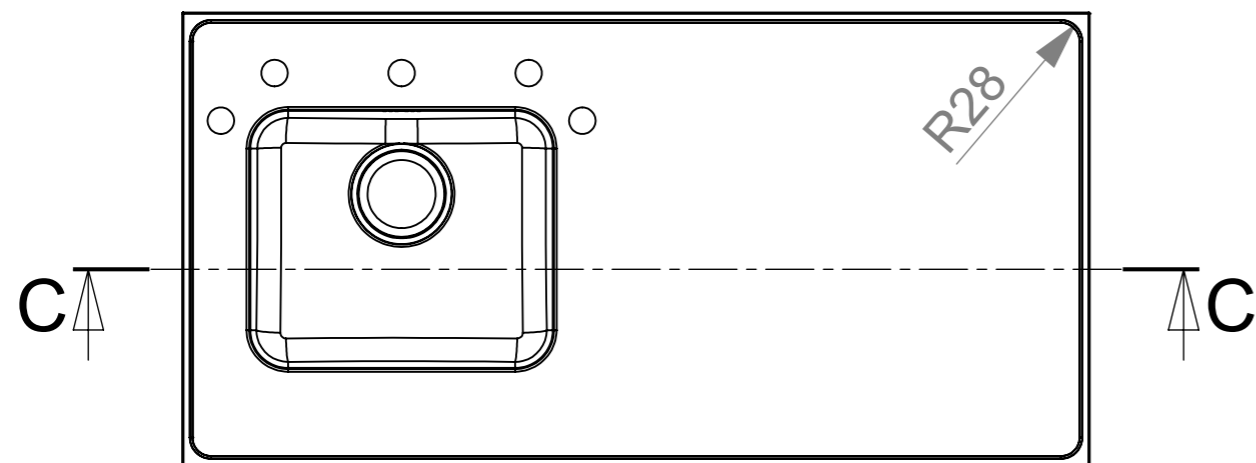
A-A



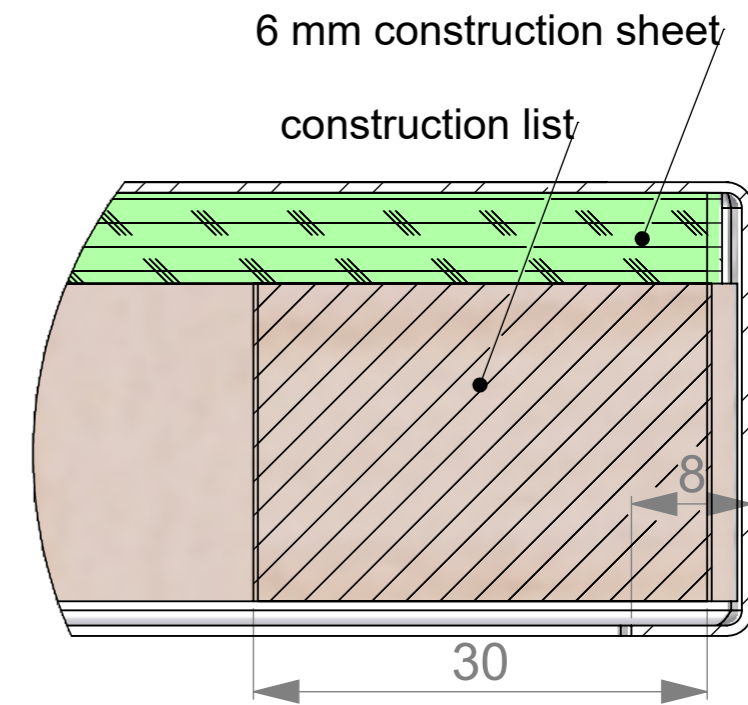
RAISED EDGE PROFILE



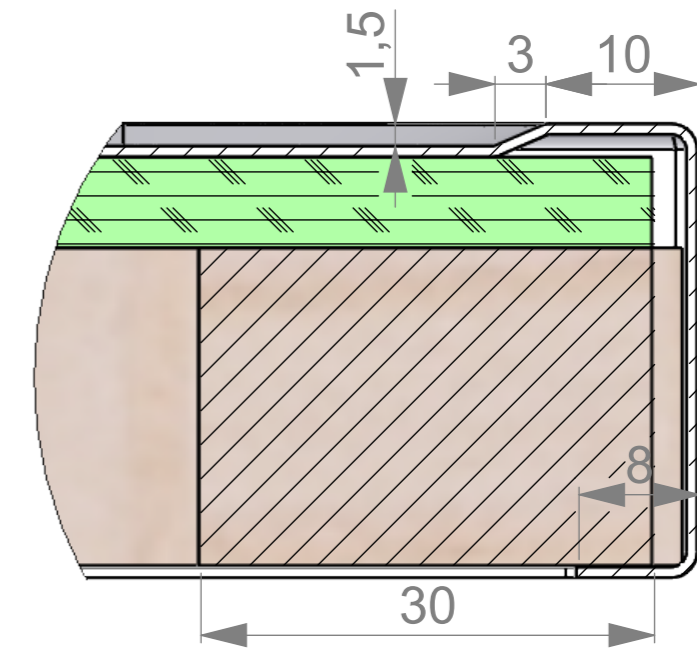
C-C

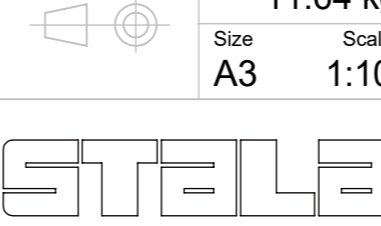


B (2 : 1)



D (2 : 1)



 www.stala.com	Mass 11.64 kg	General tolerance	Designed by VS	Date 14.11.2019
	Size A3	Scale 1:10	Item	Date 30.12.2019
Description N SEVEN		Description Technical Data Sheet	Drawing number 19028	Sheet/sheets 2/5
			Rev B	

Change description
Under construction upgraded

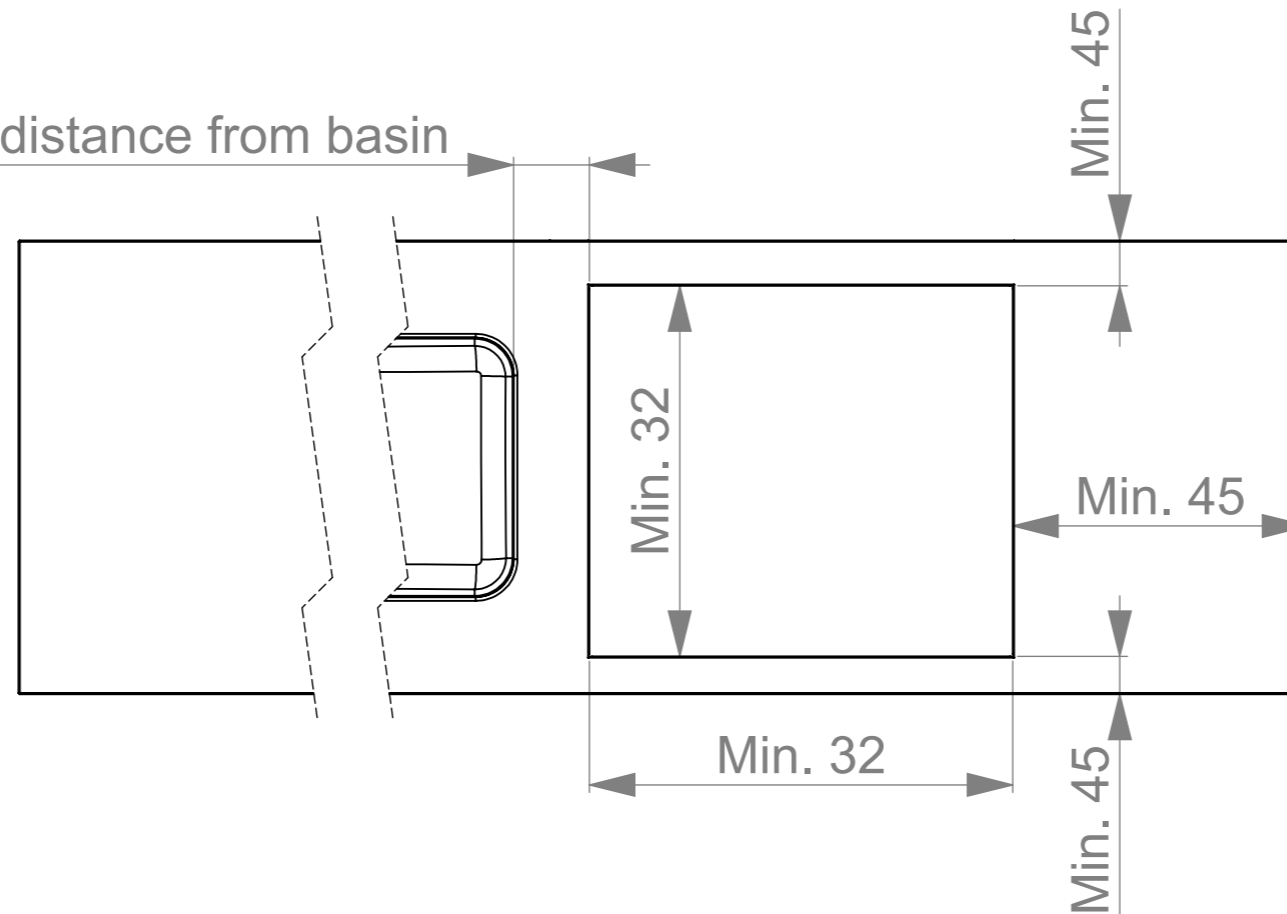
Date
27.05.2020

Designed by
VS

HOB CUTOUT

PRINCIPLE MEASUREMENTS FOR HOB CUTOUT

+0,3
100 -0,3. Min. distance from basin

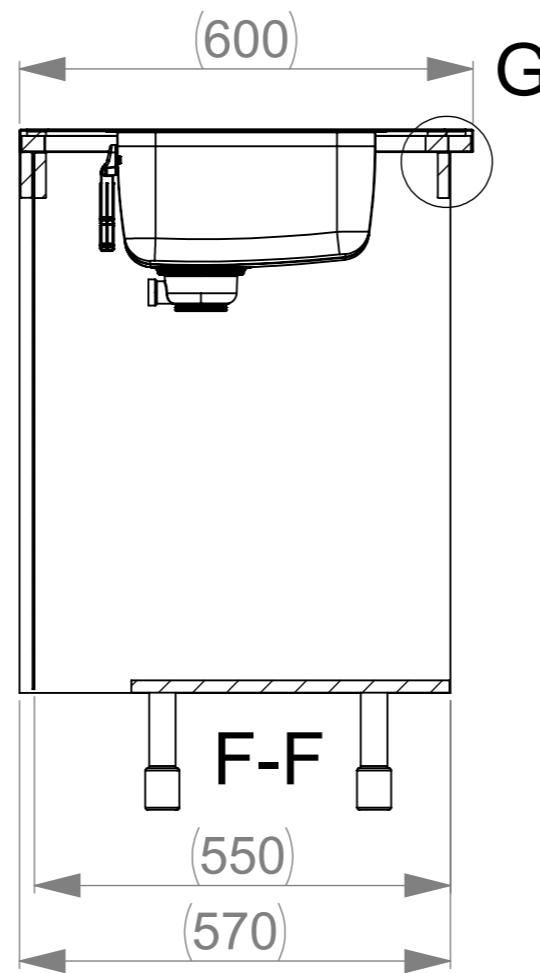
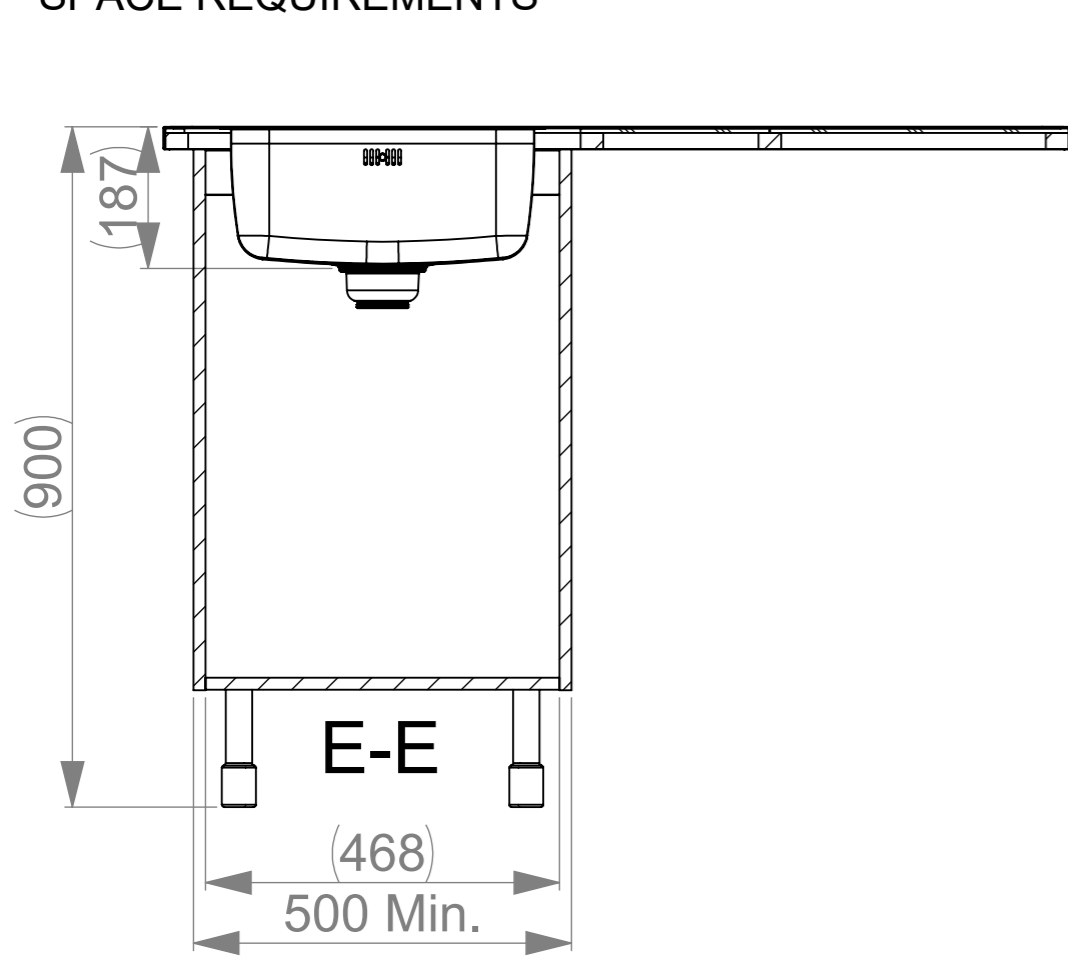


	Mass	9.51 kg	General tolerance	Designed by	VS	Date	14.11.2019	
	Size	A3	Scale	1:10	Item	Approved by	JP	Date
 www.stala.com	Description		N SEVEN	Drawing number	19028	Sheet/sheets	3/5	
	Technical Data Sheet		Rev	B				

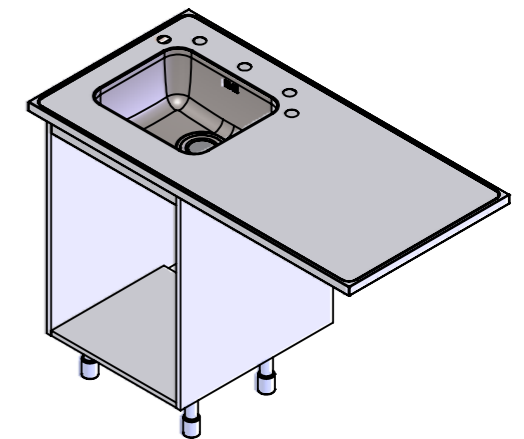
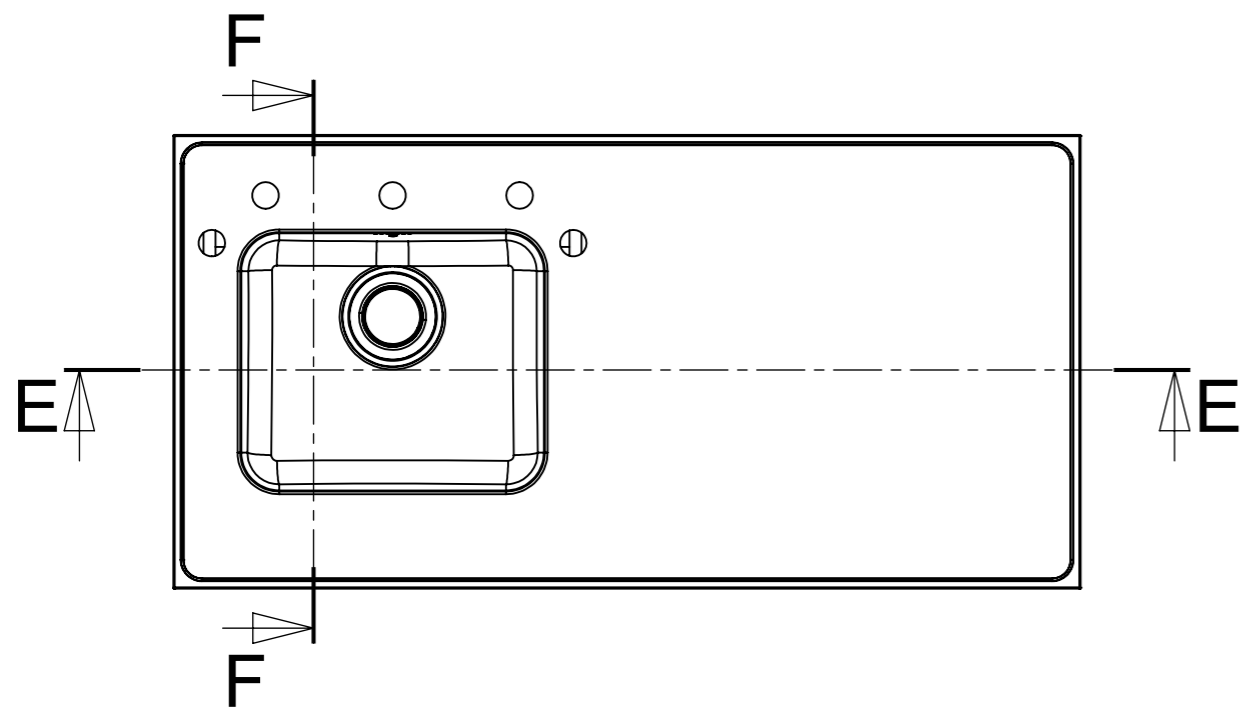
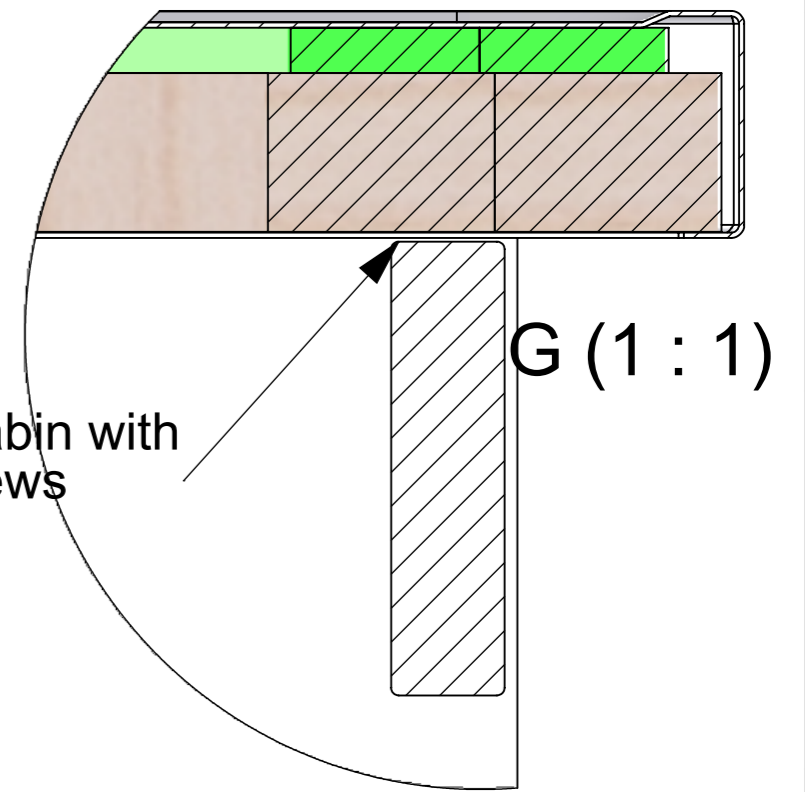
Change description
Under construction upgraded

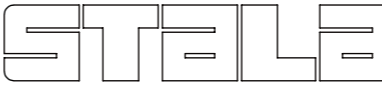
Date
27.05.2020
Designed by
VS

SPACE REQUIREMENTS



Installation to cabin with appropriate screws



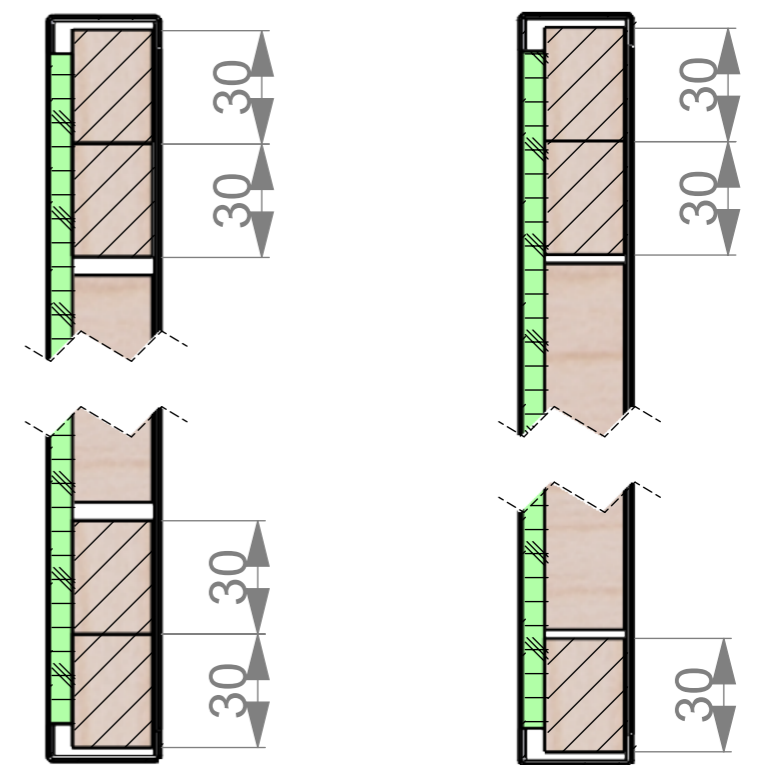
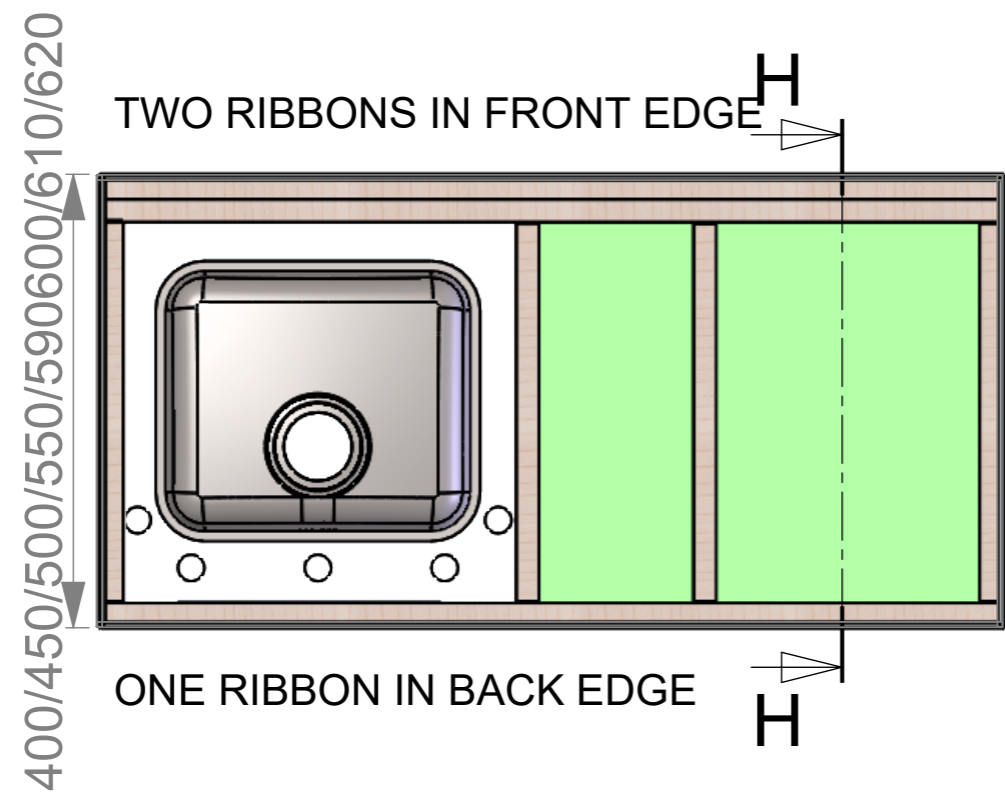
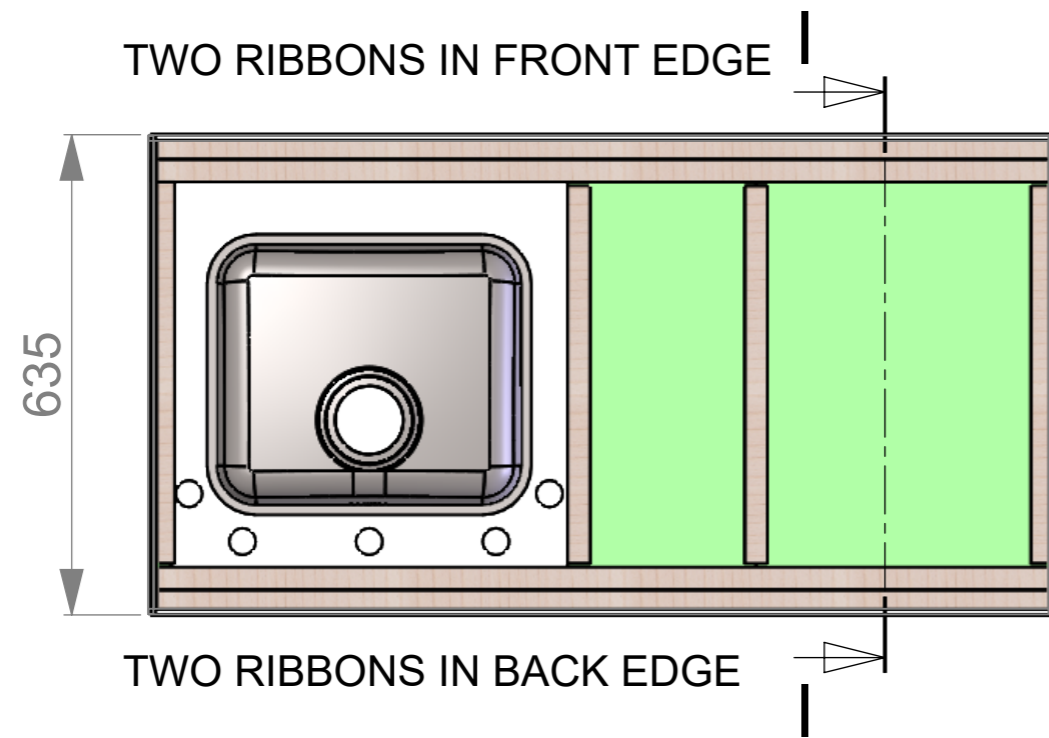
 www.stala.com	Mass 22.58 kg	General tolerance Item Description N SEVEN Technical Data Sheet	Designed by VS	Date 14.11.2019
	Size A3		Scale 1:10	Approved by JP
			Drawing number 19028	Sheet/sheets 4/5
			Rev B	

Change description
Under construction upgraded

Date
27.05.2020
Designed by
VS

UNDER CONSTRUCTION

PRINCIPLE OF UNDER CONSTRUCTION: RIBBONS IN FRONT EDGE AND BACK EDGE



I-I (1 : 2)

H-H (1 : 2)

	Mass	7.97 kg	General tolerance	Designed by	VS	Date	14.11.2019	
	Size	A3		Scale	1:10	Item	Approved by	JP
 www.stala.com	Description			Drawing number		Sheet/sheets		
	N SEVEN			19028		5/5		
Technical Data Sheet					Rev		B	