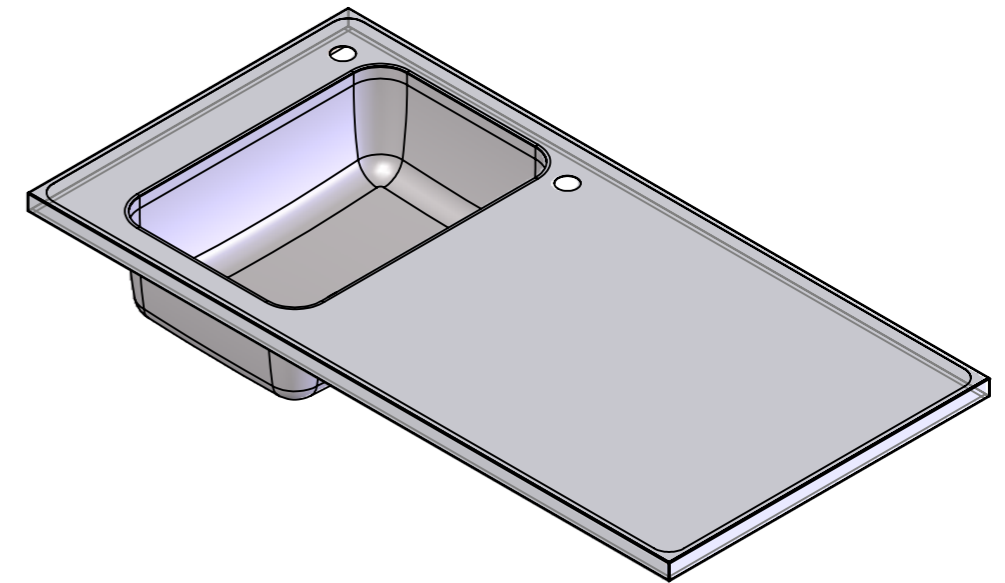
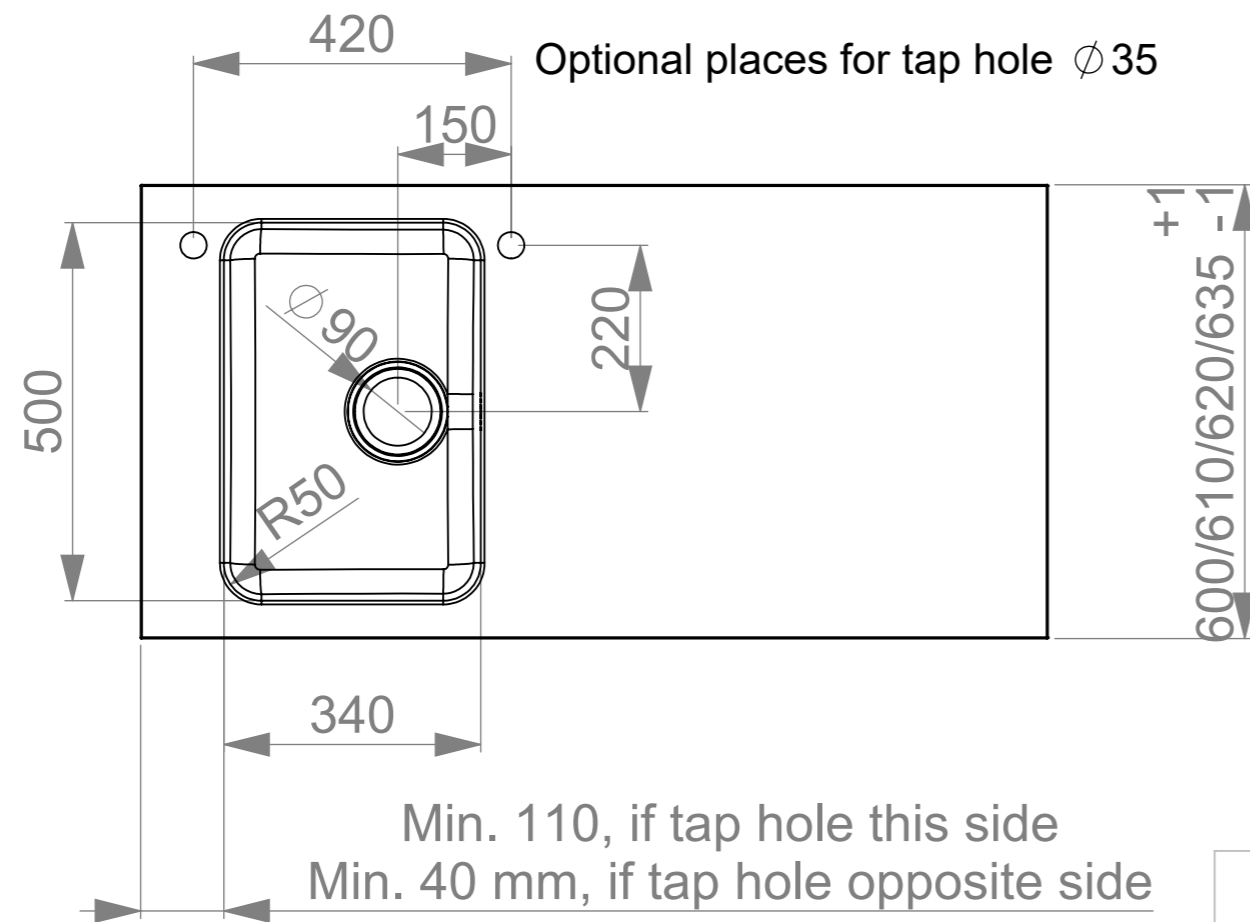
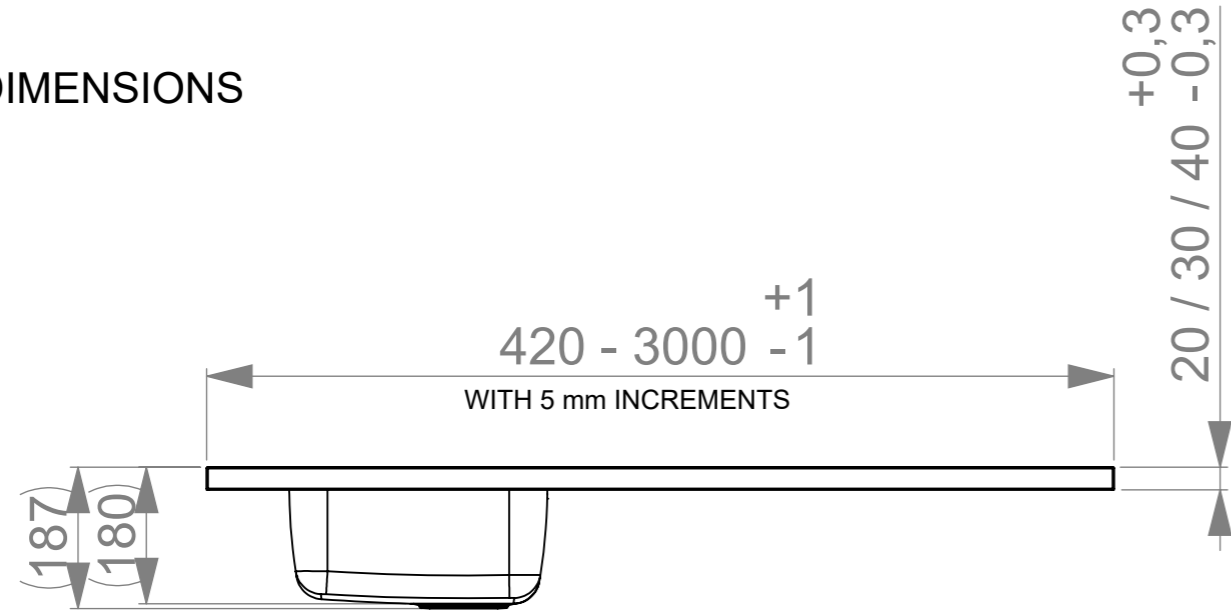

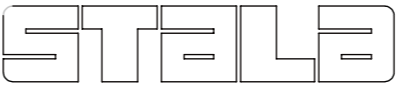


Change description
Under construction upprgraded

Date
27.05.2020
Designed by
VS

MAIN DIMENSIONS



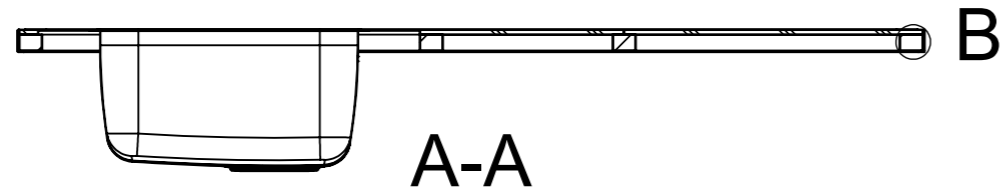
 www.stala.com	Mass 11.21 kg	General tolerance	Designed by VS	Date 11.11.2019
	Size A3		Scale 1:10	Approved by JP
 www.stala.com		Description E SEVEN Technical Data Sheet	Drawing number 19025	Sheet/sheets 1/5 Rev B

EDGE PROFILES

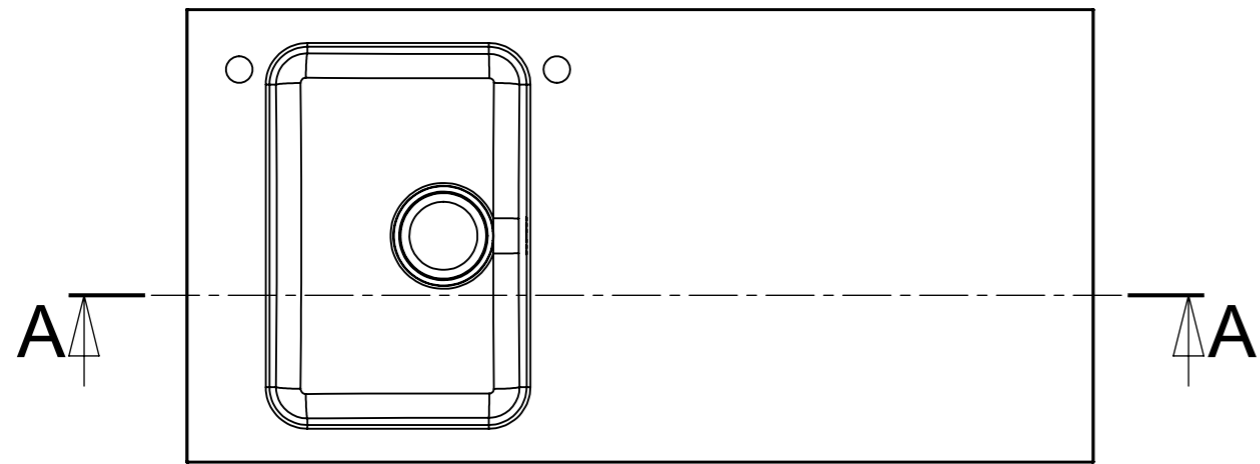
Change description
Under construction upgraded

Date
27.05.2020
Designed by
VS

STRAIGHT EDGE PROFILE

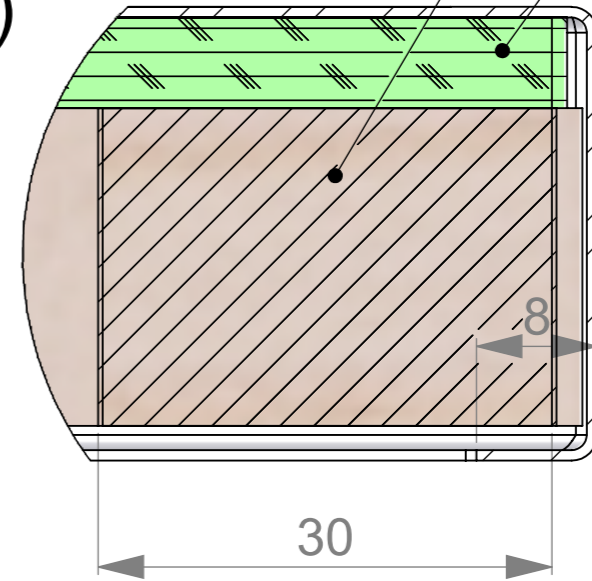


A-A

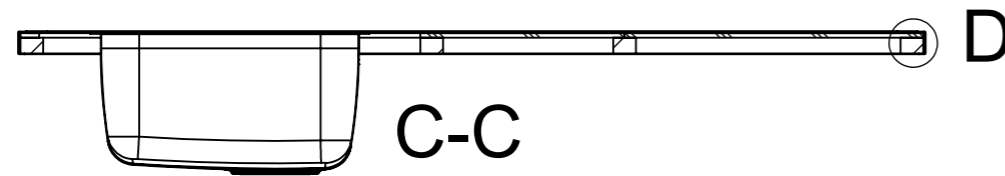


6 mm construction sheet
construction list

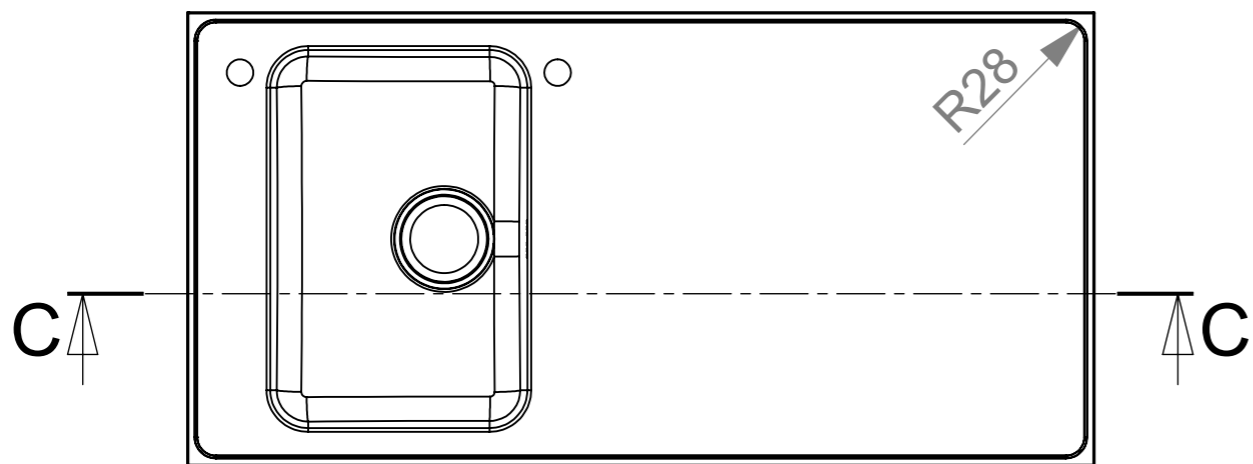
B (2 : 1)



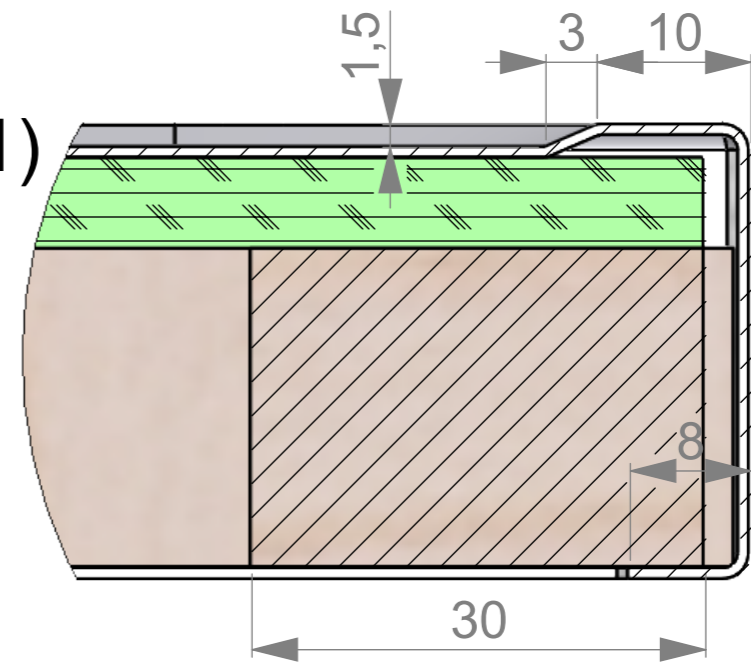
RAISED EDGE PROFIL

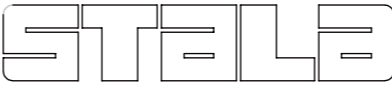


C-C



D (2 : 1)



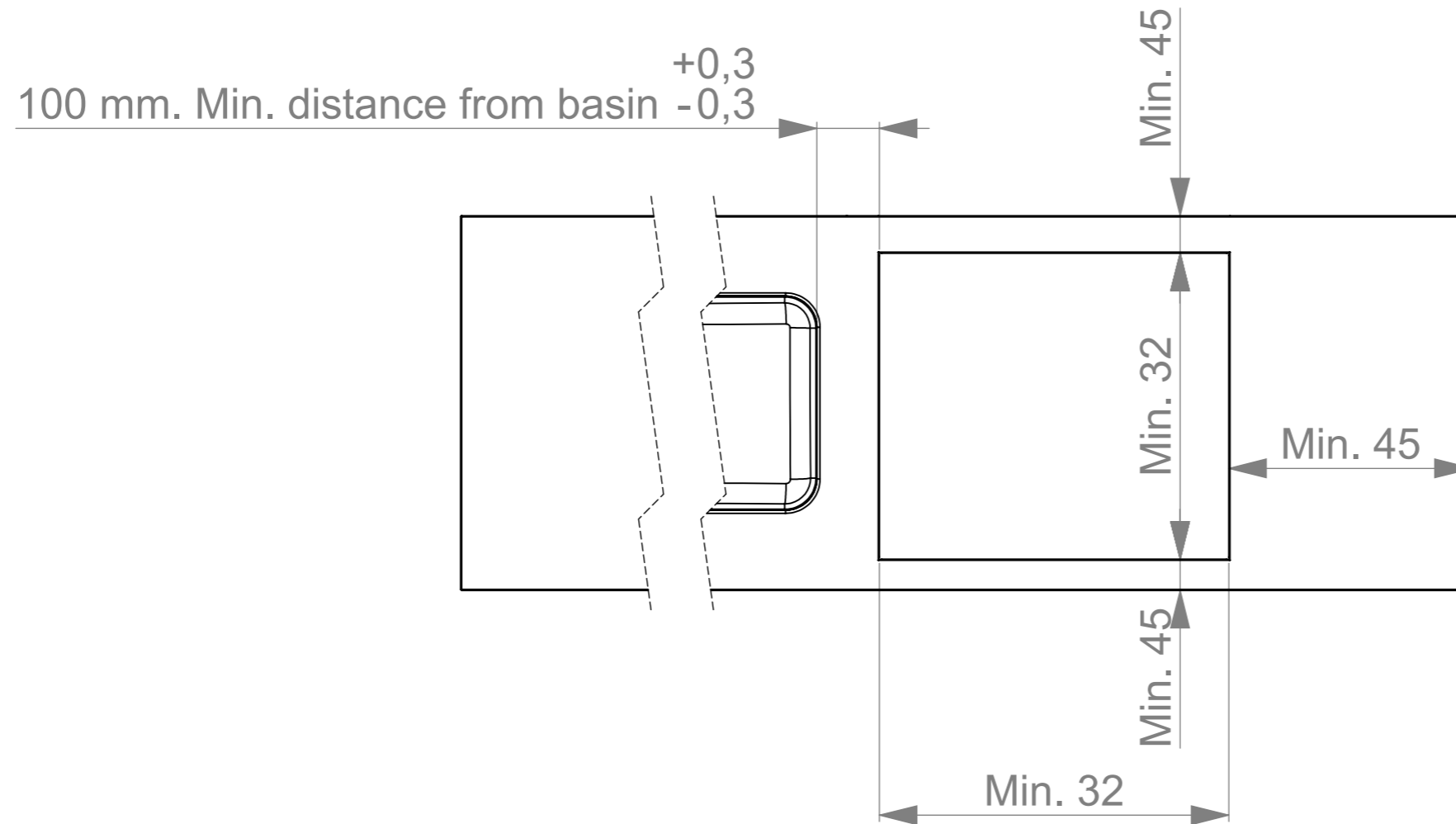
 www.stala.com	Mass 11.21 kg	General tolerance	Designed by VS	Date 11.11.2019
	Size A3	Scale 1:10	Item	Approved by JP
Description E SEVEN Technical Data Sheet			Drawing number 19025	Sheet/sheets 2/5
				Rev B

Change description
Under construction upgraded

Date
27.05.2020

Designed by
VS

HOB CUTOUT

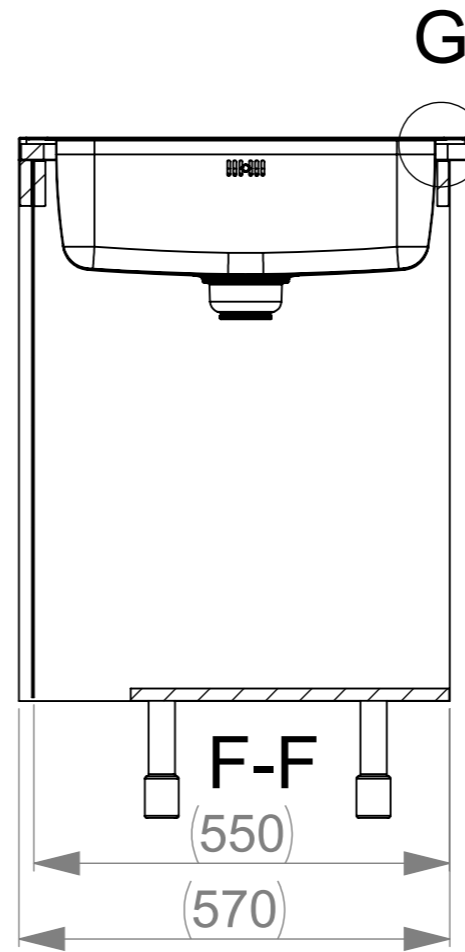
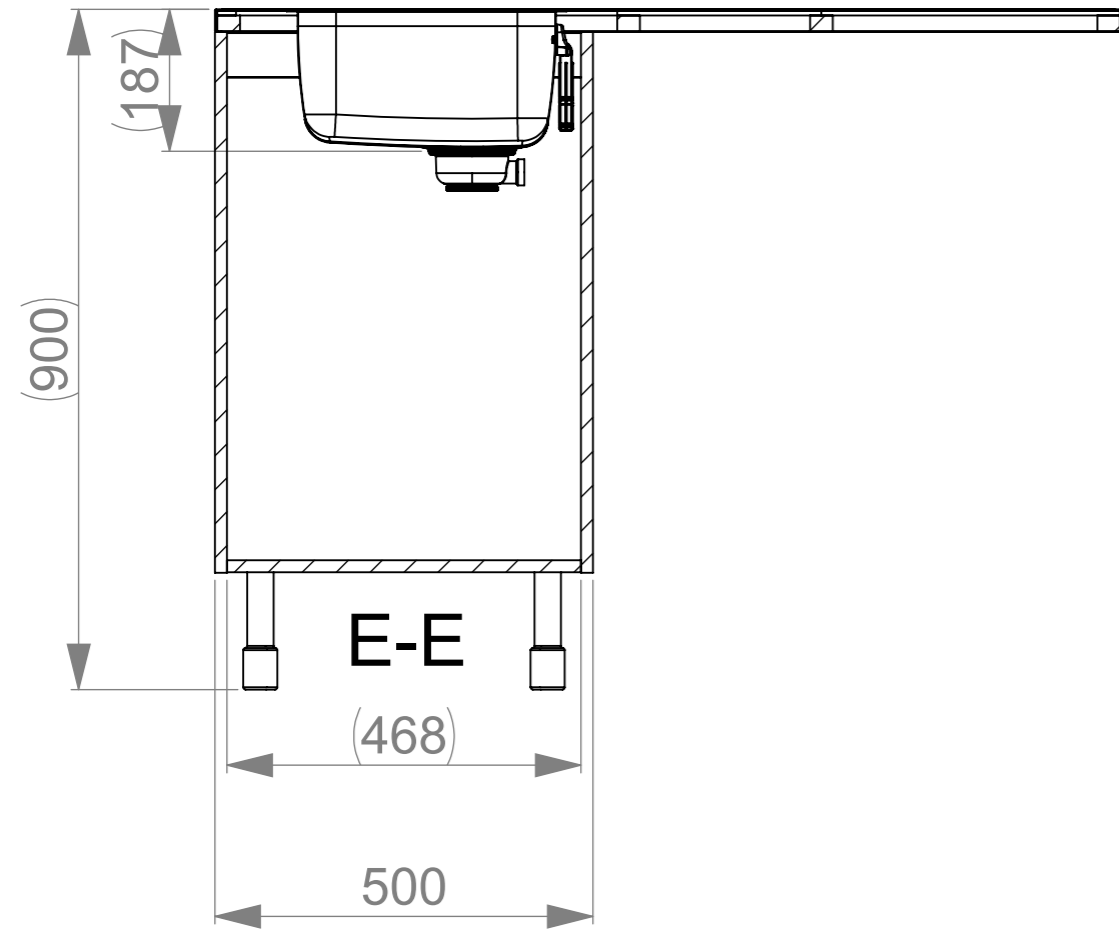


	Mass	9.51 kg	General tolerance	Designed by	Date
	Size	A3	Scale	1:10	Item
 www.stala.com	Description		E SEVEN	Approved by	Date
	Technical Data Sheet		19025	JP	30.12.2019
	Drawing number		3/5	Sheet/sheets	Rev

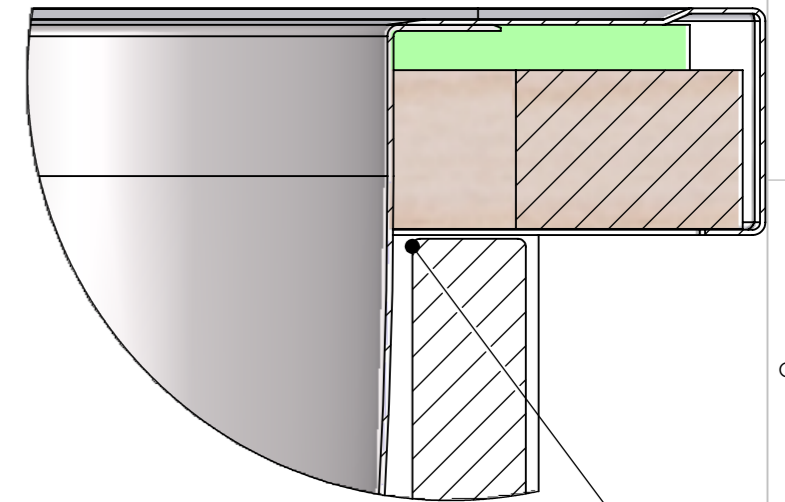
Change description
Under construction upgraded

Date
27.05.2020
Designed by
VS

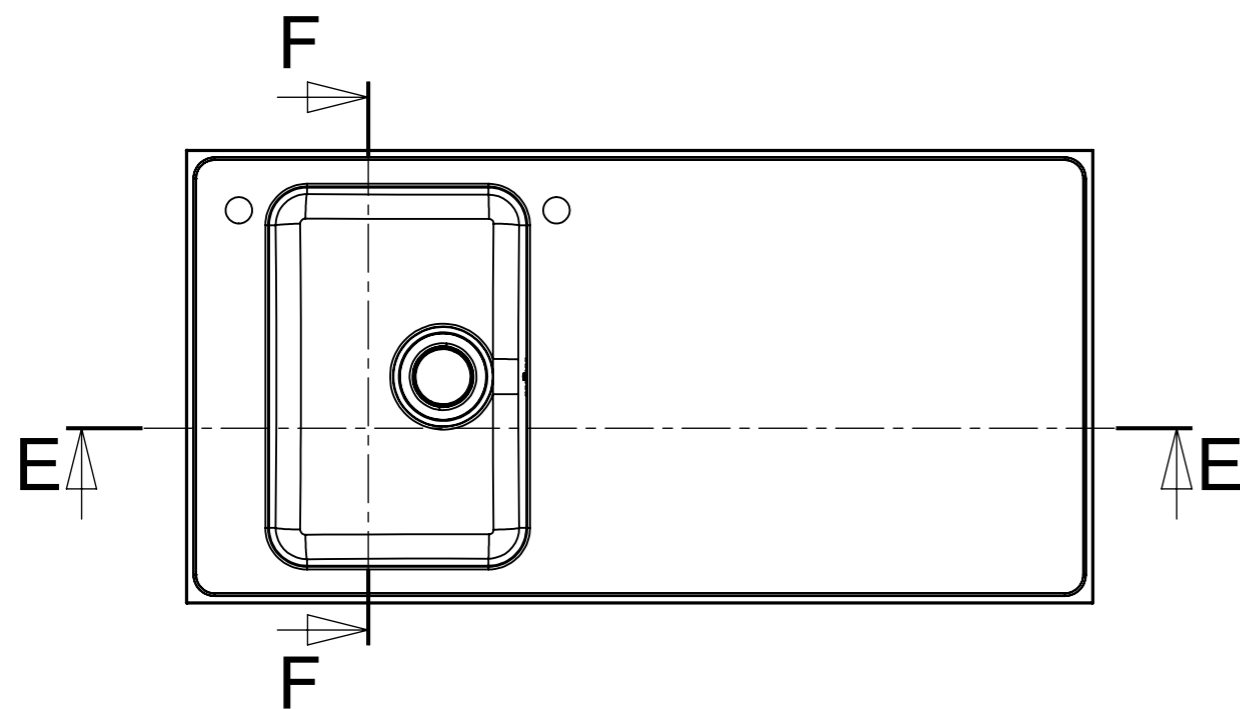
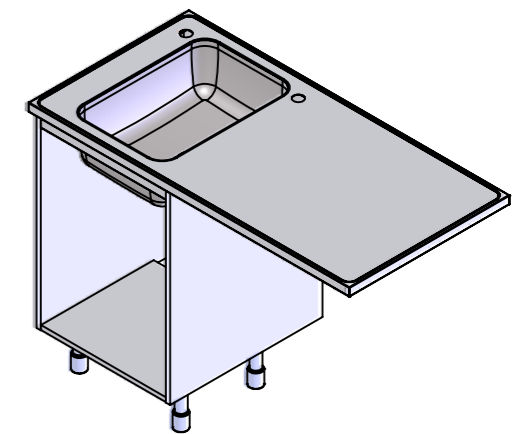
SPACE REQUIREMENTS

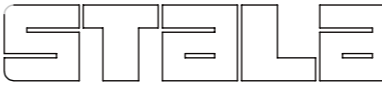


G (1 : 1)



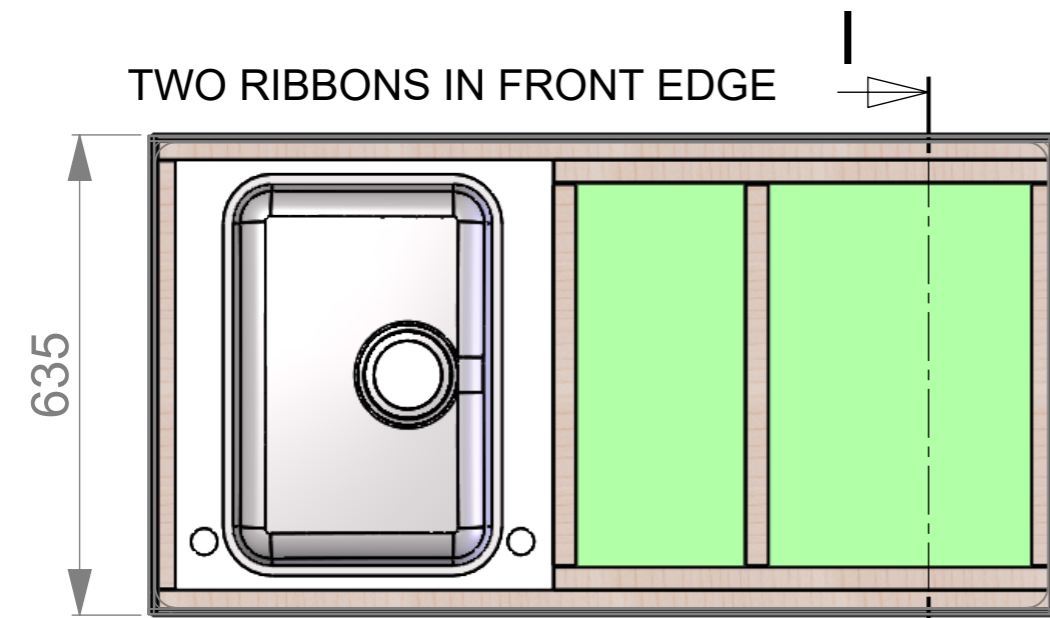
Installation to cabin with appropriate screws



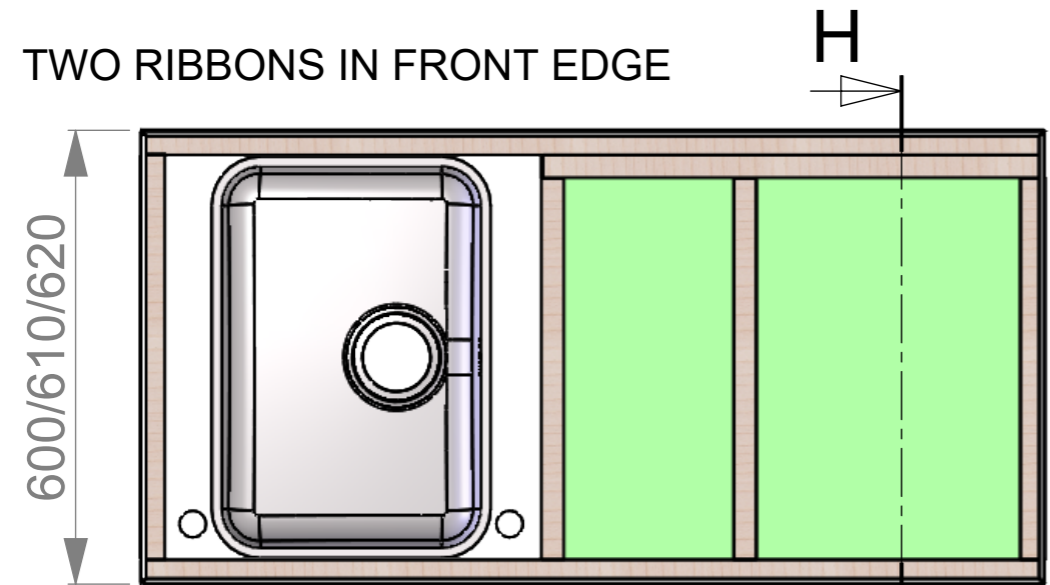
 www.stala.com	Mass 22.52 kg	General tolerance	Designed by VS	Date 11.11.2019
	Size A3	Scale 1:10	Item	Approved by JP
Description E SEVEN Technical Data Sheet			Drawing number 19025	Sheet/sheets 4/5
				Rev B

UNDER CONSTRUCTION

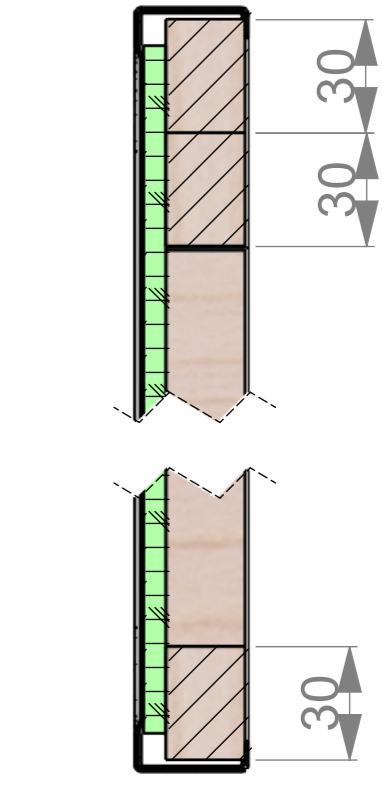
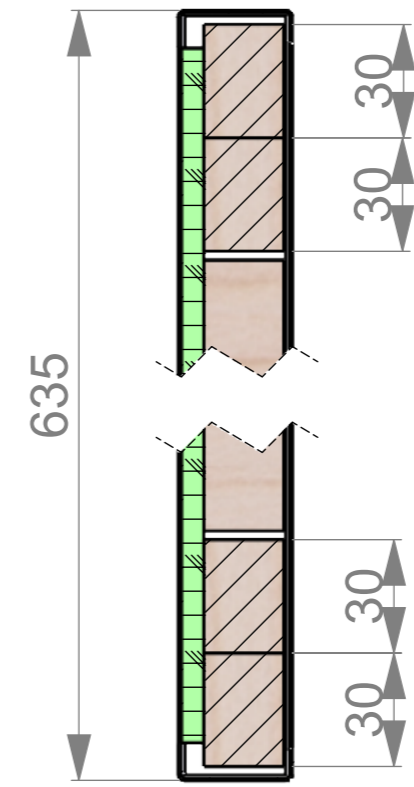
PRINCIPLE OF UNDER CONSTRUCTION: RIBBONS IN FRONT EDGE AND BACK EDGE



TWO RIBBONS PARTLY IN BACK EDGE



ONE RIBBON IN BACK EDGE



	Mass	7.68 kg	General tolerance	Designed by	VS	Date	11.11.2019	
	Size	A3	Scale	1:10	Item	Approved by	JP	Date
 www.stala.com	Description		E SEVEN	Drawing number		Sheet/sheets		
	Technical Data Sheet		19025			5/5		
						Rev	B	