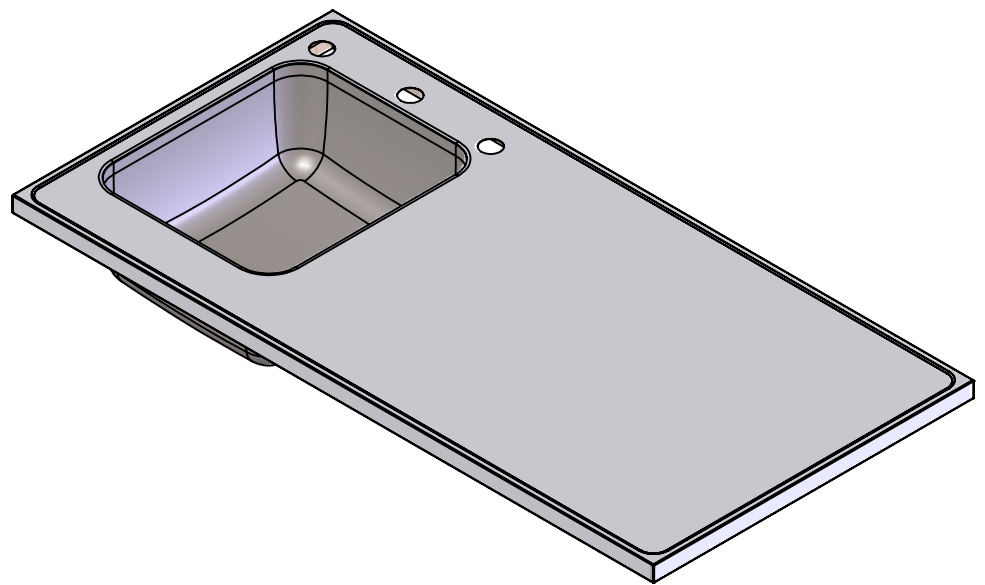
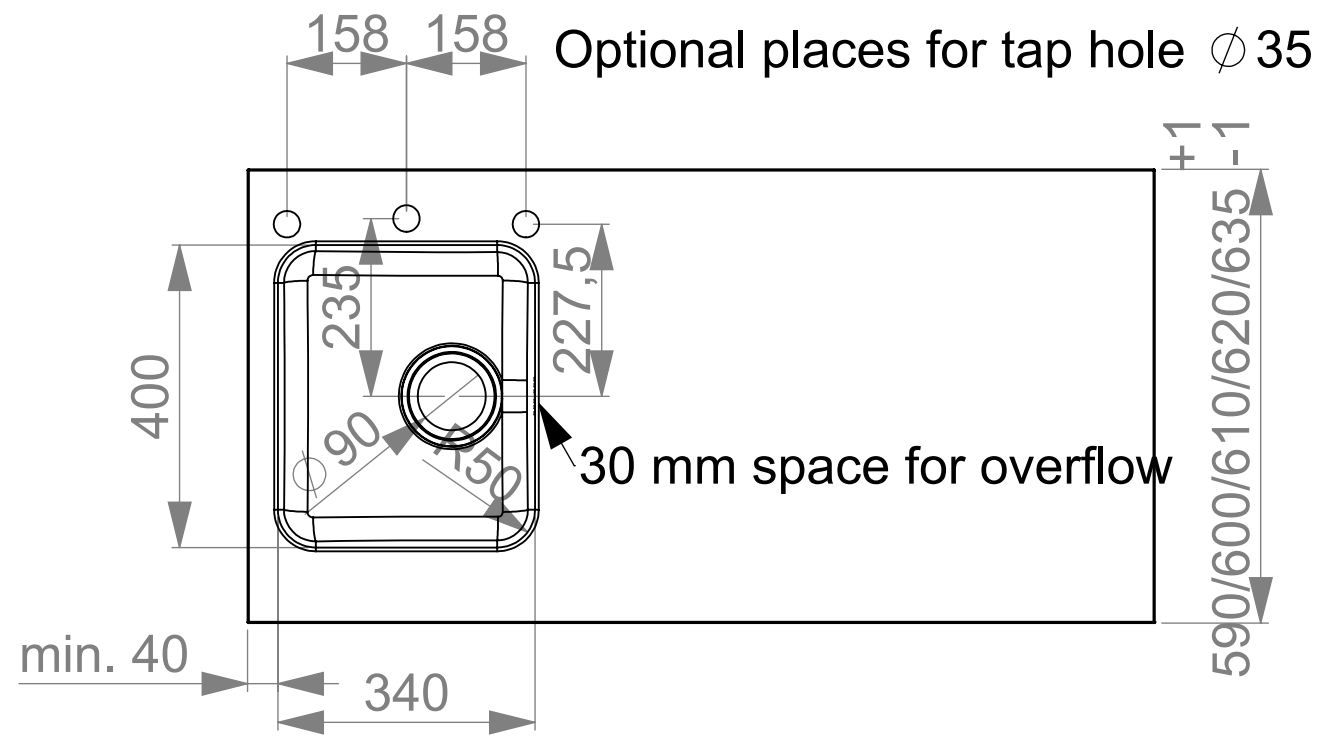
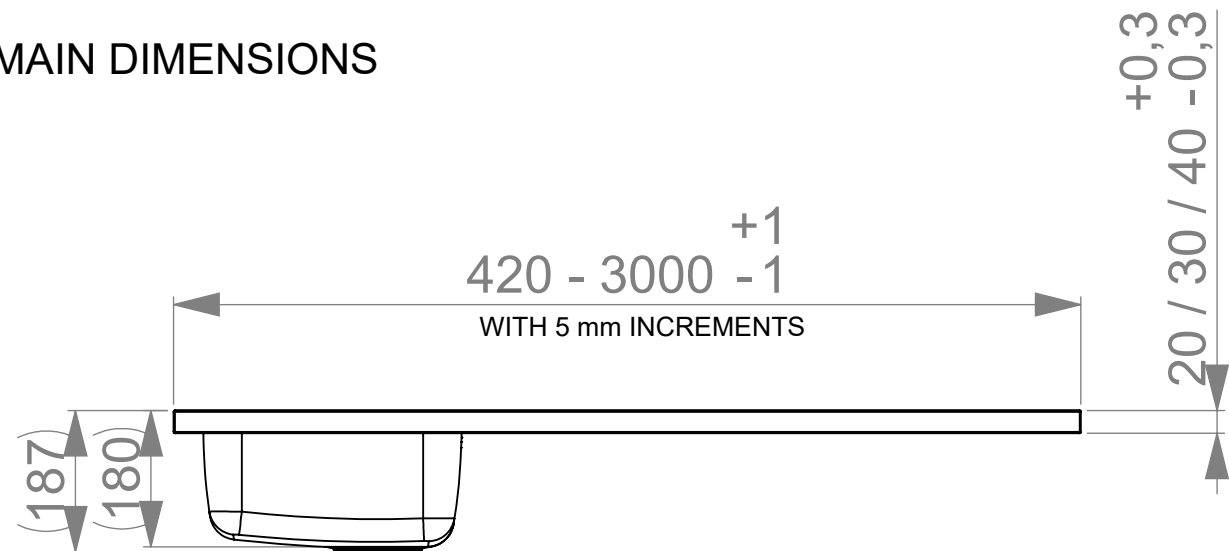
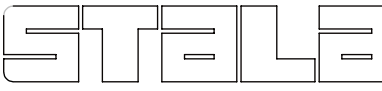


MAIN DIMENSIONS

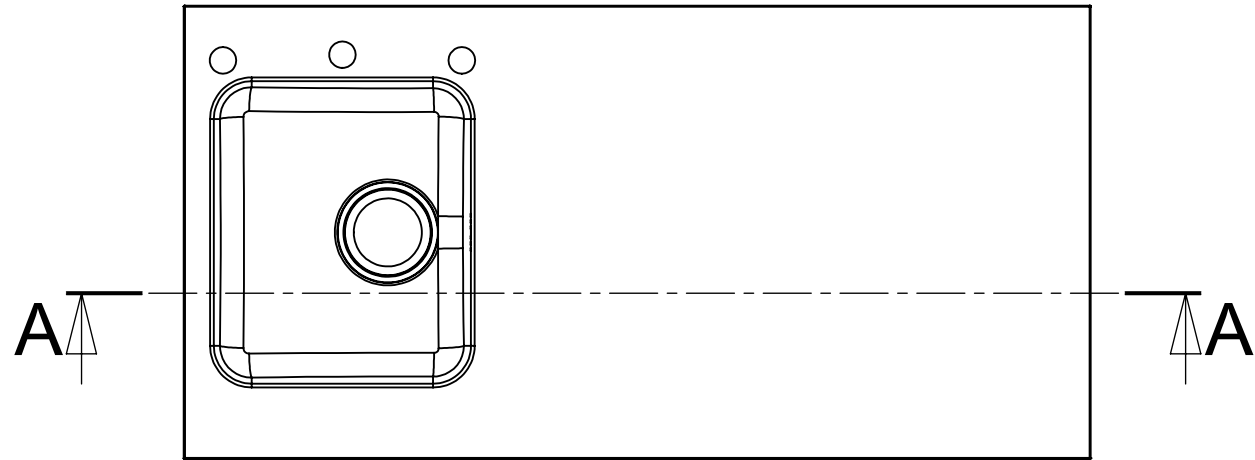
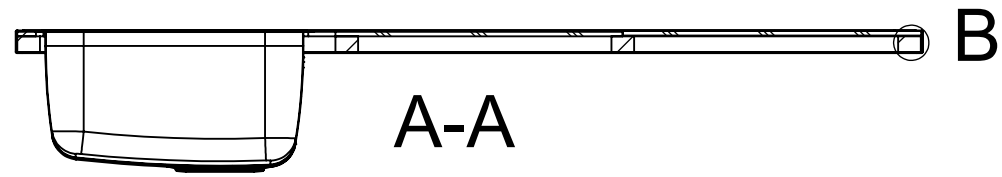


Change description Under construction upgraded	Date 27.05.2020	Designed by VS
---	--------------------	-------------------

 www.stala.com	Mass 7.33 kg	General tolerance	Designed by VS	Date 05.11.2019
	Size A3	Scale 1:10	Item	Date 30.12.2019
Description C Seven Technical Data Sheet			Drawing number 19023	Sheet/sheets 1/5
				Rev B

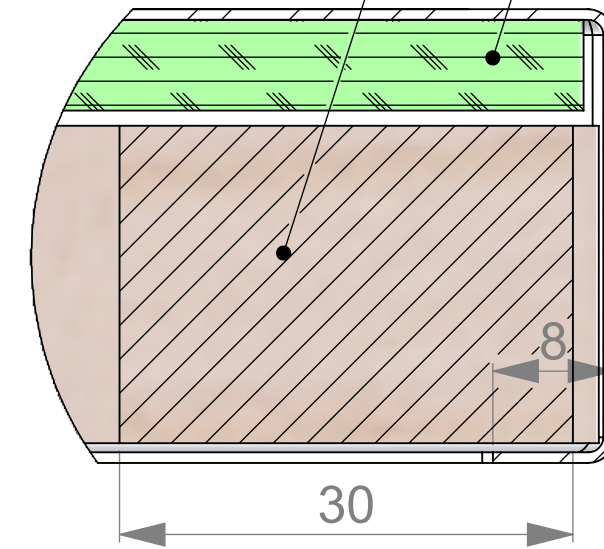
EDGE PROFILES

STRAIGHT EDGE PROFILE

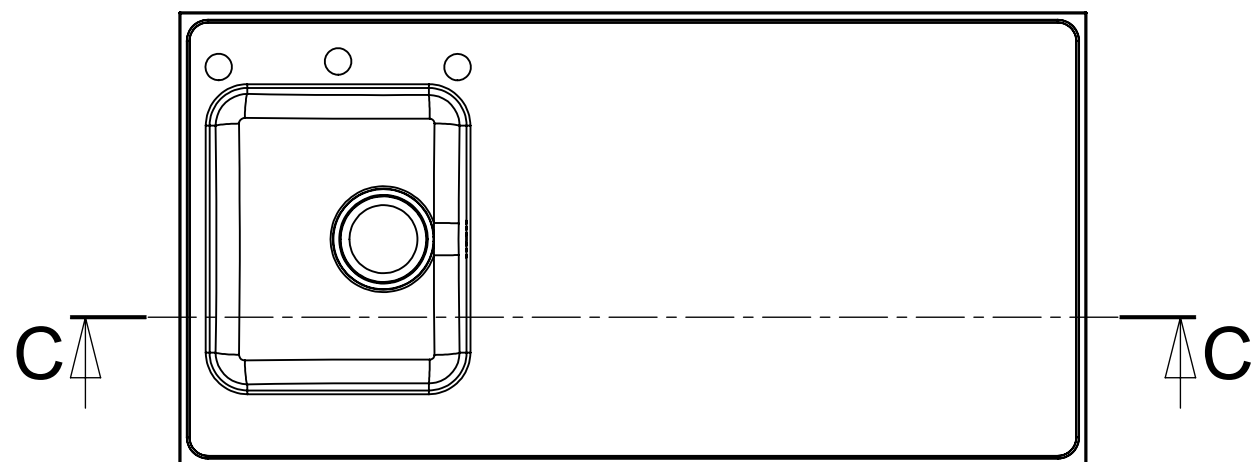
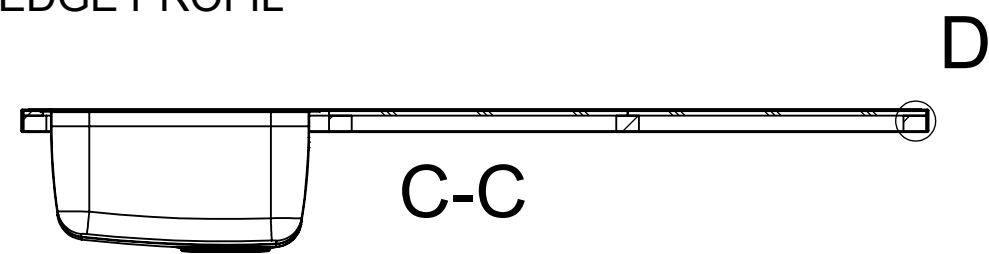


6 mm construction sheet
construction list

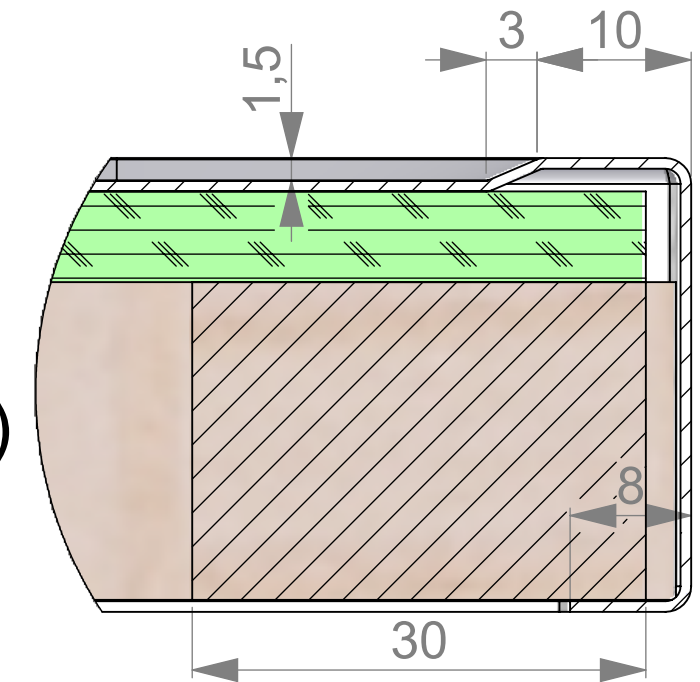
B (2 : 1)



RAISED EDGE PROFIL

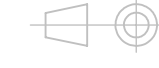
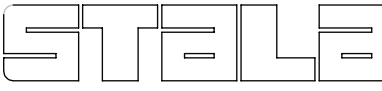


D (2 : 1)



Change description
Under construction upgraded

Date
27.05.2020
Designed by
VS

	Mass	7.33 kg	General tolerance	Designed by	Date	
	Size	A3	Scale	VS	05.11.2019	
 www.stala.com		Scale	1:10	Item	Date	
	Description		C Seven	Approved by	JP	30.12.2019
	Technical Data Sheet		Drawing number	19023	Sheet/sheets	2/5
		Rev	B			

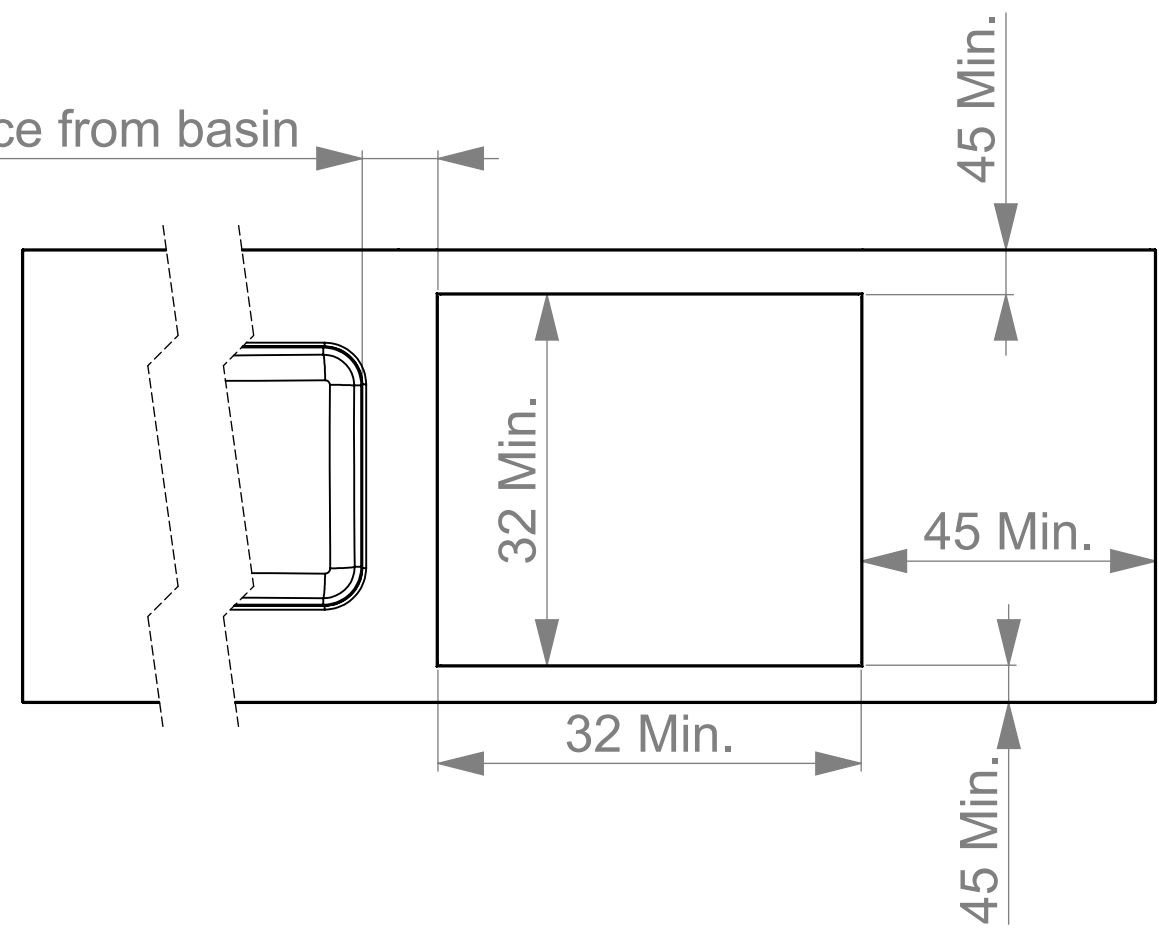
Change description
Under construction upgraded


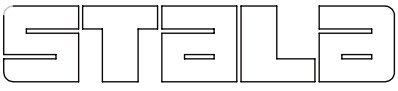
Date
27.05.2020
Designed by
VS

HOB CUTOUT

PRINCIPLE MEASUREMENTS FOR OPTIONAL HOB CUTOUT

+0,3
100 -0,3 mm. Min. distance from basin

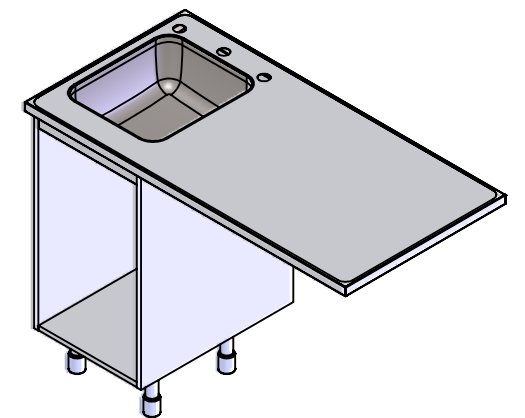
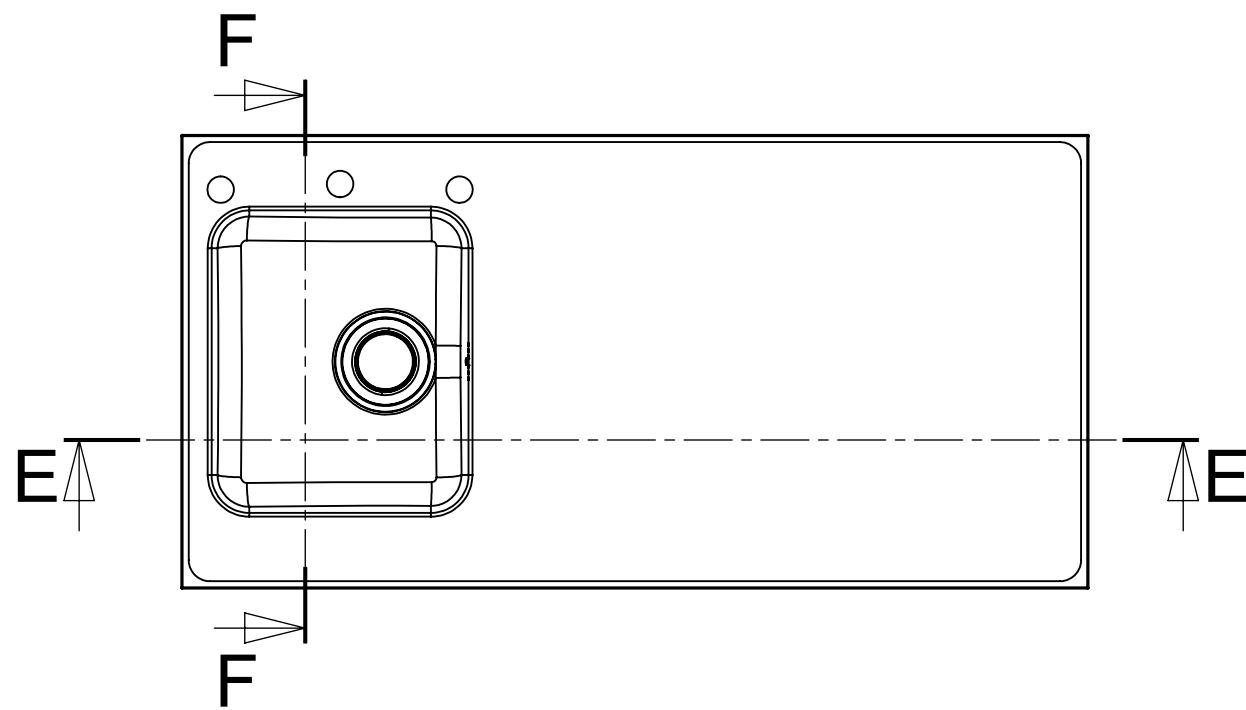
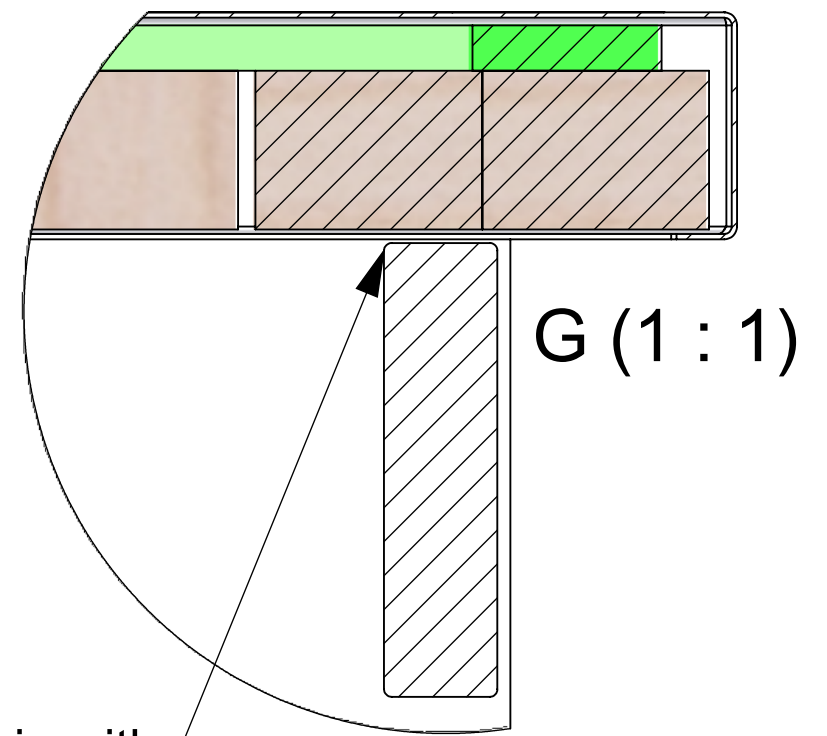
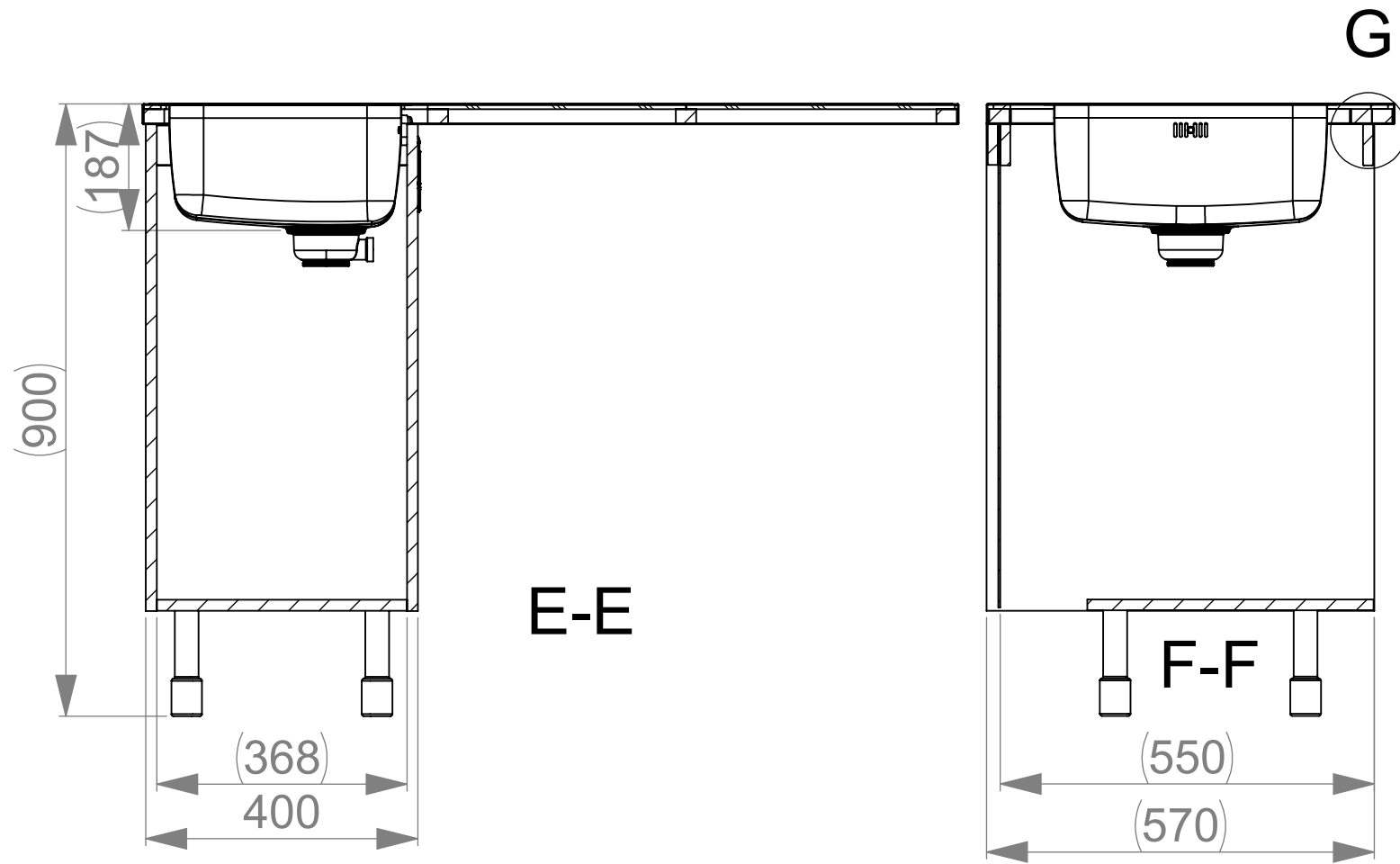



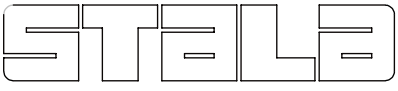
	Mass	9.51 kg	General tolerance	Designed by	Date
	Size	A3	Scale	VS	05.11.2019
 www.stala.com			Item	Approved by	Date
			C Seven	JP	30.12.2019
					Description
		Technical Data Sheet	19023	3/5	Rev
					B

Change description
Under construction upgraded

Date
27.05.2020
Designed by
VS

SPACE REQUIREMENTS



	Mass 26.18 kg	General tolerance	Designed by VS	Date 05.11.2019
	Size A3		Scale 1:10	Approved by JP
 www.stala.com	Description C Seven		Drawing number 19023	Sheet/sheets 4/5
	Technical Data Sheet			Rev B

Change description
Under construction upgraded

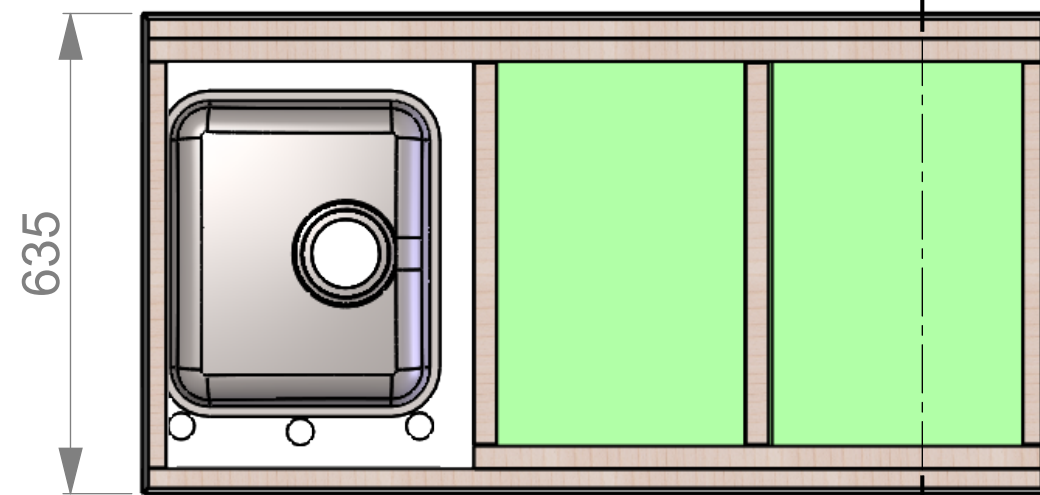
Date
27.05.2020

Designed by
VS

UNDER CONSTRUCTION

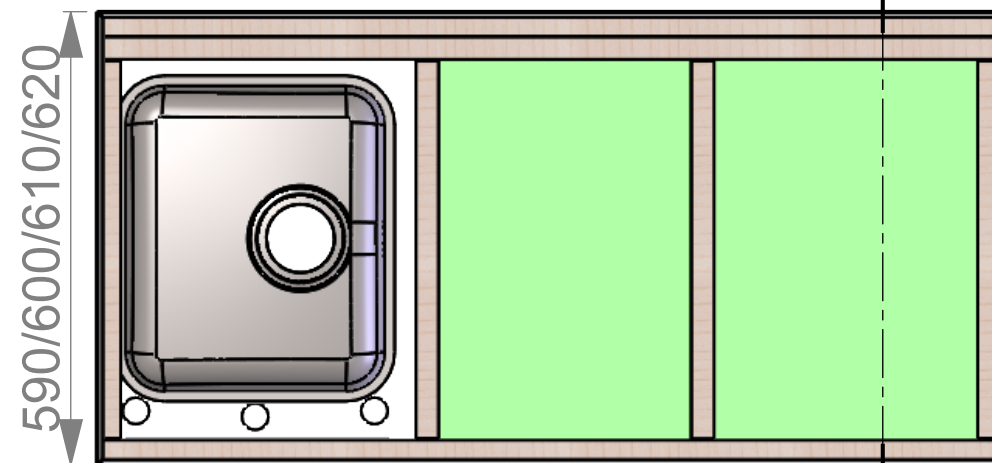
PRINCIPLE OF UNDER CONSTRUCTION: RIBBONS IN FRONT EDGE AND BACK EDGE

TWO RIBBONS IN FRONT EDGE

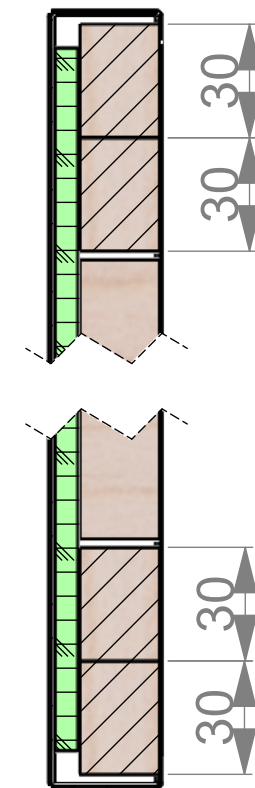


TWO RIBBONS PARTLY IN BACK EDGE

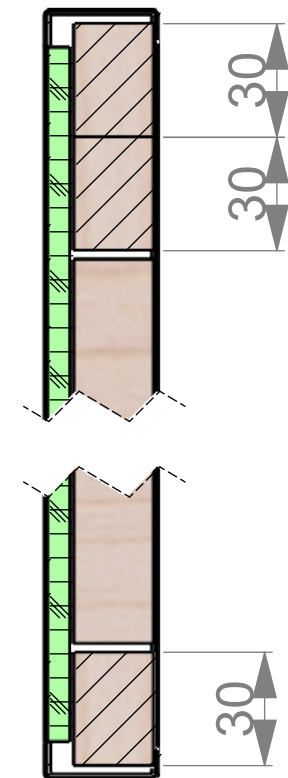
TWO RIBBONS IN FRONT EDGE



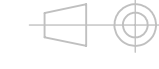
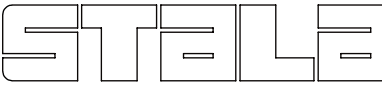
ONE RIBBON IN BACK EDGE



I-I (1 : 2)



H-H (1 : 2)

	Mass	7.33 kg	General tolerance	Designed by	VS	Date	05.11.2019	
	Size	A3	Scale	1:10	Item	Approved by	JP	Date
 www.stala.com	Description		C Seven	Drawing number	19023	Sheet/sheets	5/5	
	Technical Data Sheet			Rev	B			