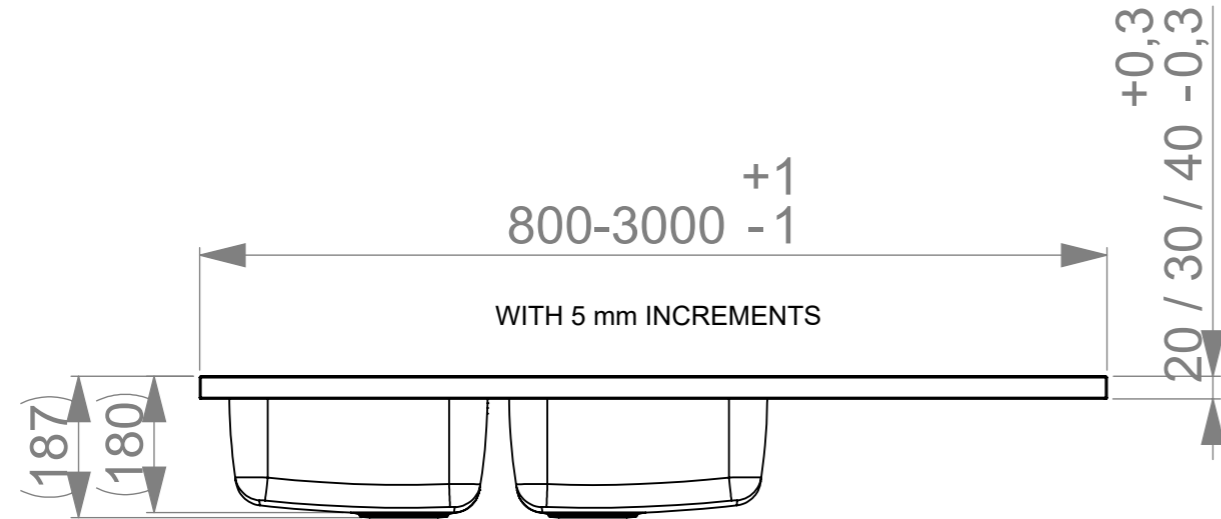


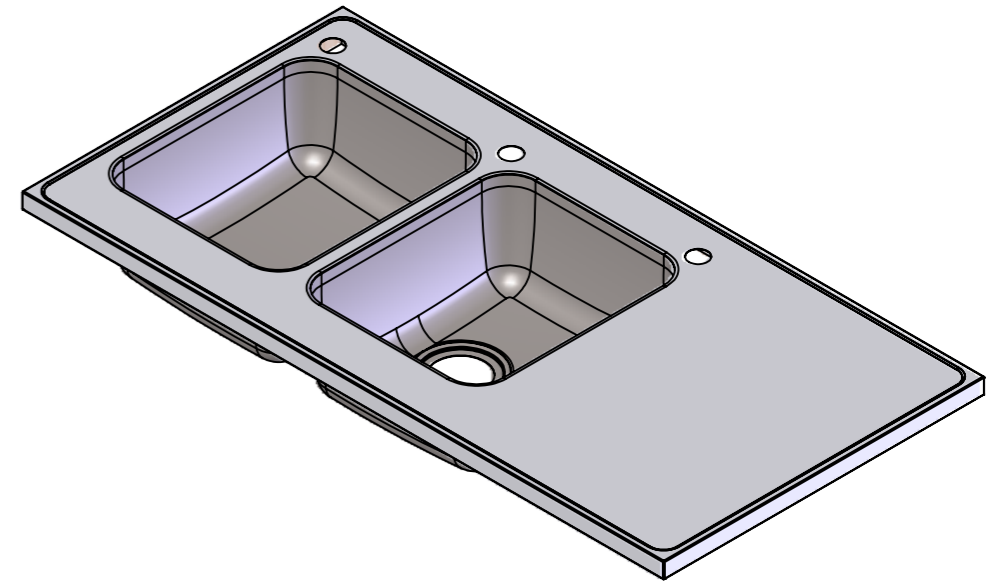
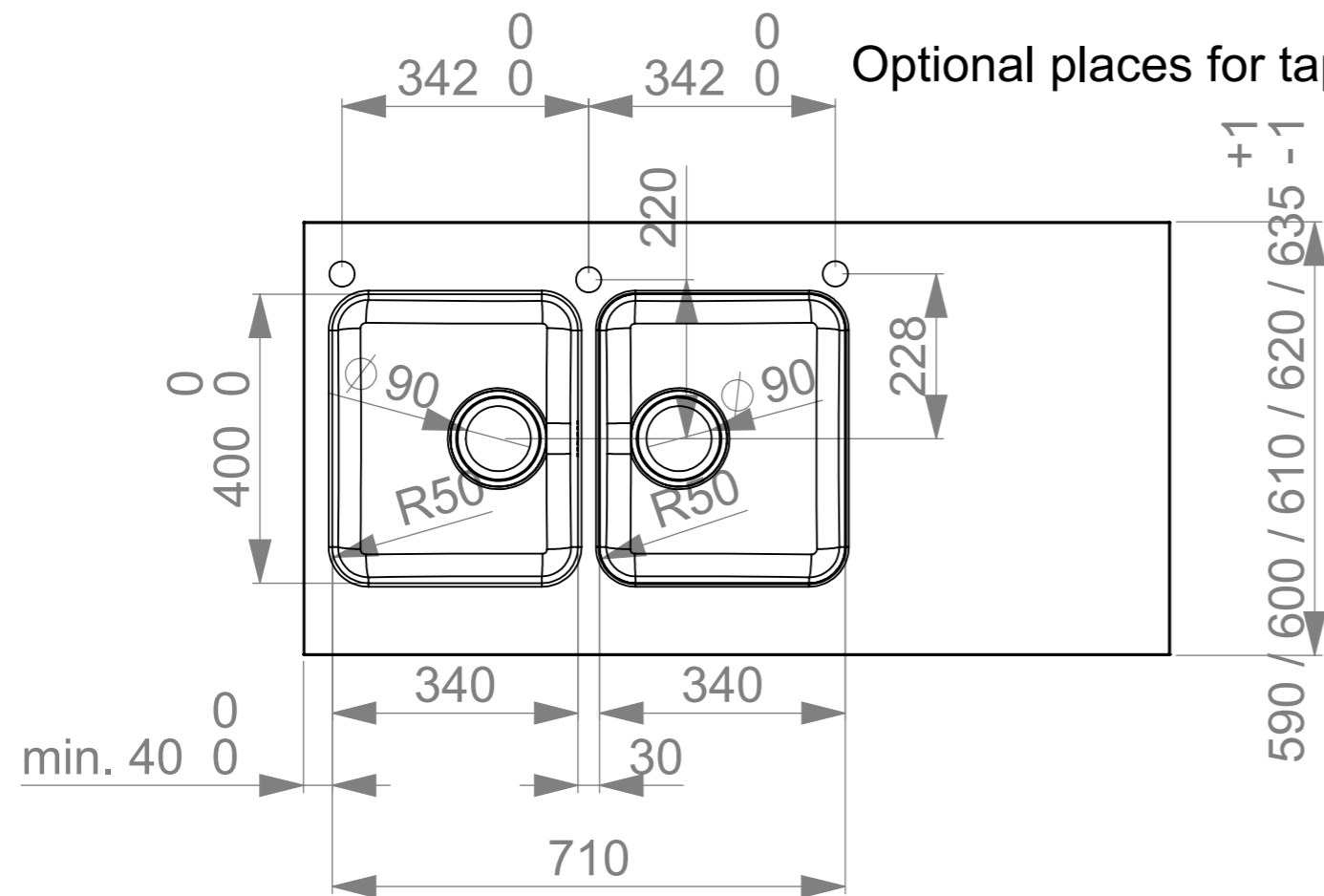
Change description
Under construction upgraded

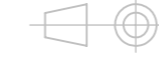
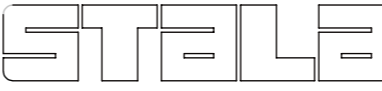
Date
27.05.2020
Designed by
VS

MAIN DIMENSIONS



Optional places for tap hole $\varnothing 35$



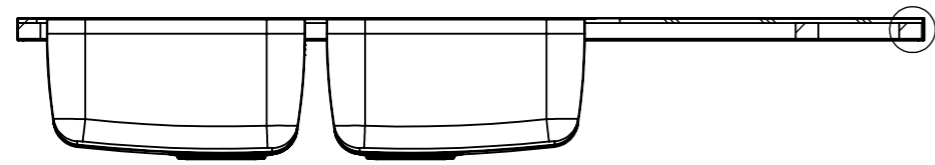
	Mass	8.82 kg	General tolerance	Designed by	Date
	Size	A3	Scale	VS	01.11.2019
 www.stala.com			Item	Approved by	Date
	Description		A SEVEN	JP	30.12.2019
	Technical Data Sheet		Drawing number	19020	Sheet/sheets
				Rev	B

Change description
Under construction upgraded

Date
27.05.2020
Designed by
VS

EDGE PROFILES

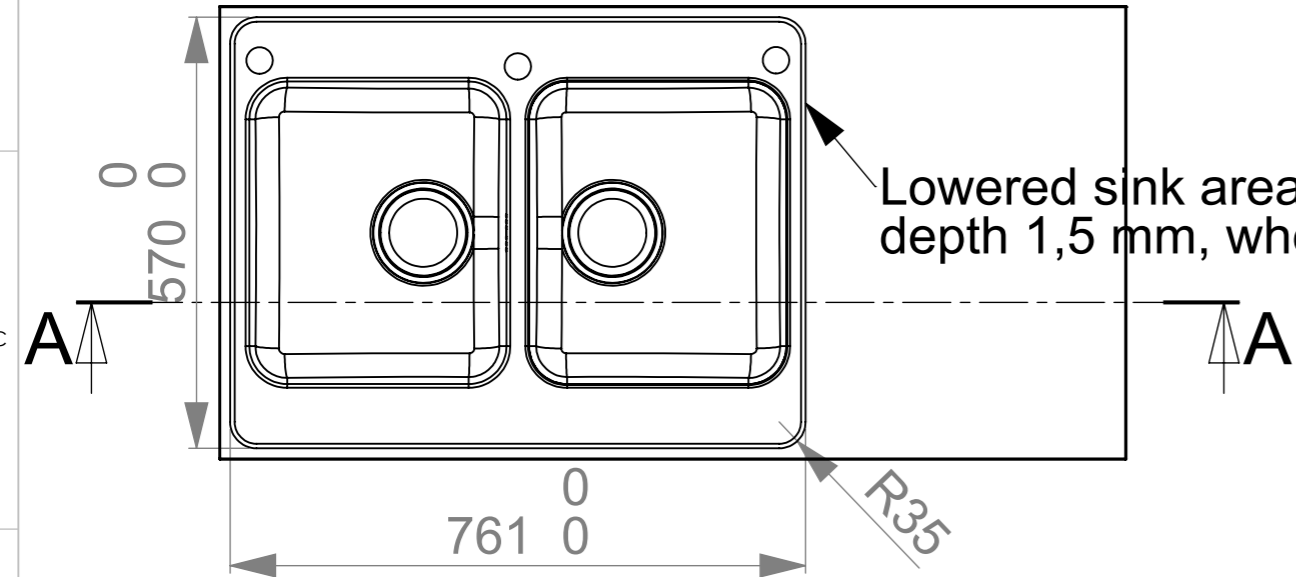
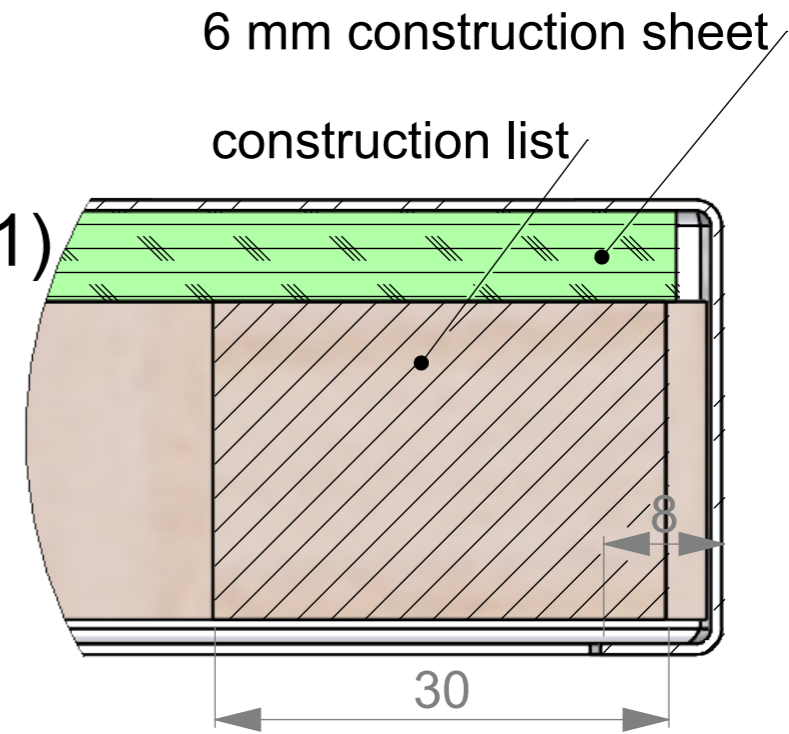
STRAIGHT EDGE PROFILE



A-A

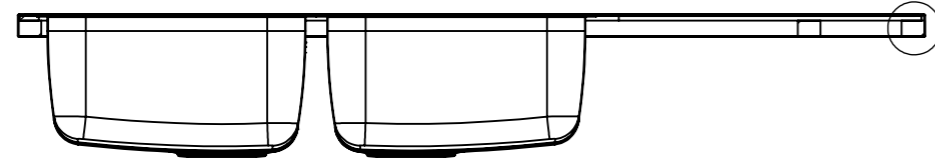
B

B (2 : 1)



Lowered sink area,
depth 1,5 mm, when edges are straight.

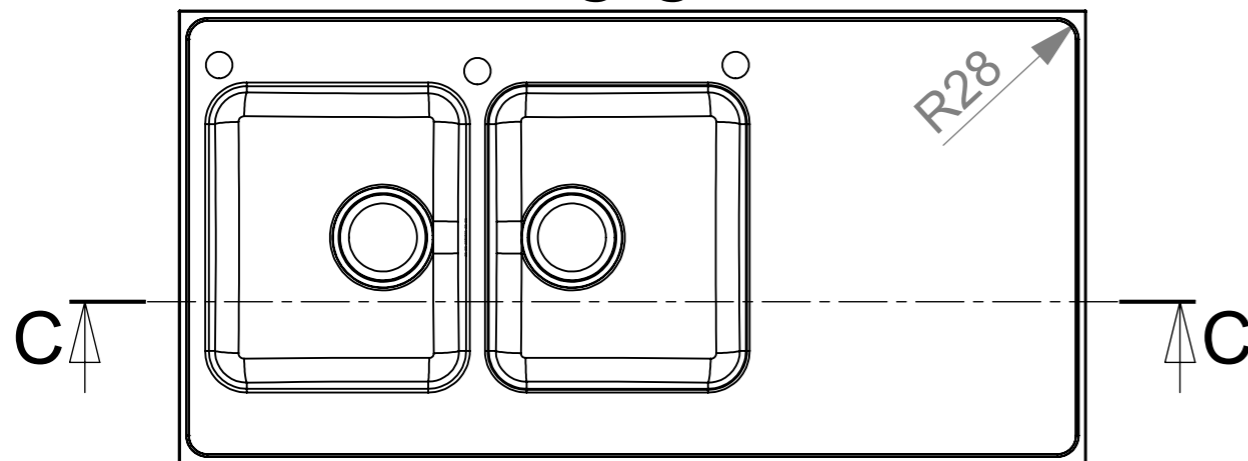
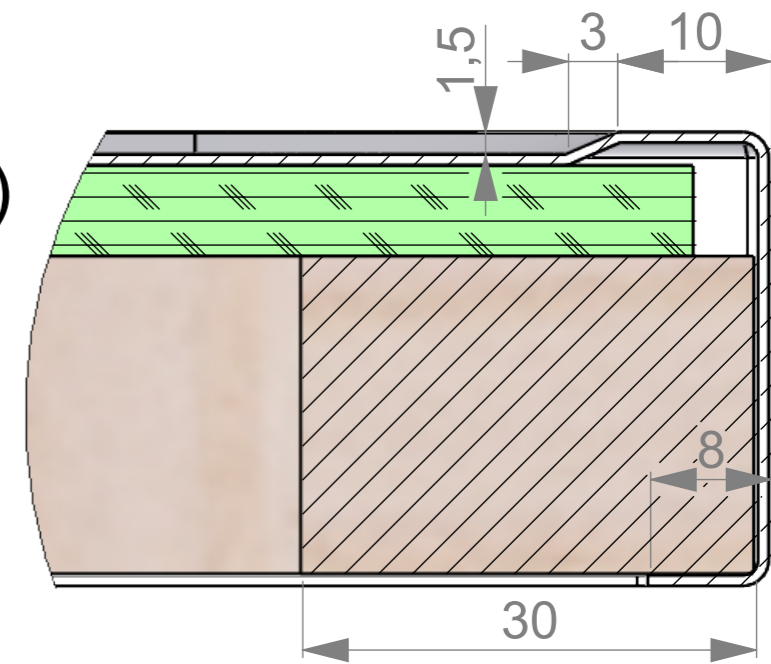
RAISED EDGE PROFIL



C-C

D

D (2 : 1)



	Mass	8.82 kg	General tolerance	Designed by	VS	Date	01.11.2019	
	Size	A3	Scale	1:10	Item	Approved by	JP	Date
 www.stala.com	Description		A SEVEN	Drawing number		Sheet/sheets		
	Technical Data Sheet		19020	2/5		Rev		
			B					

Change description
Under construction upgraded

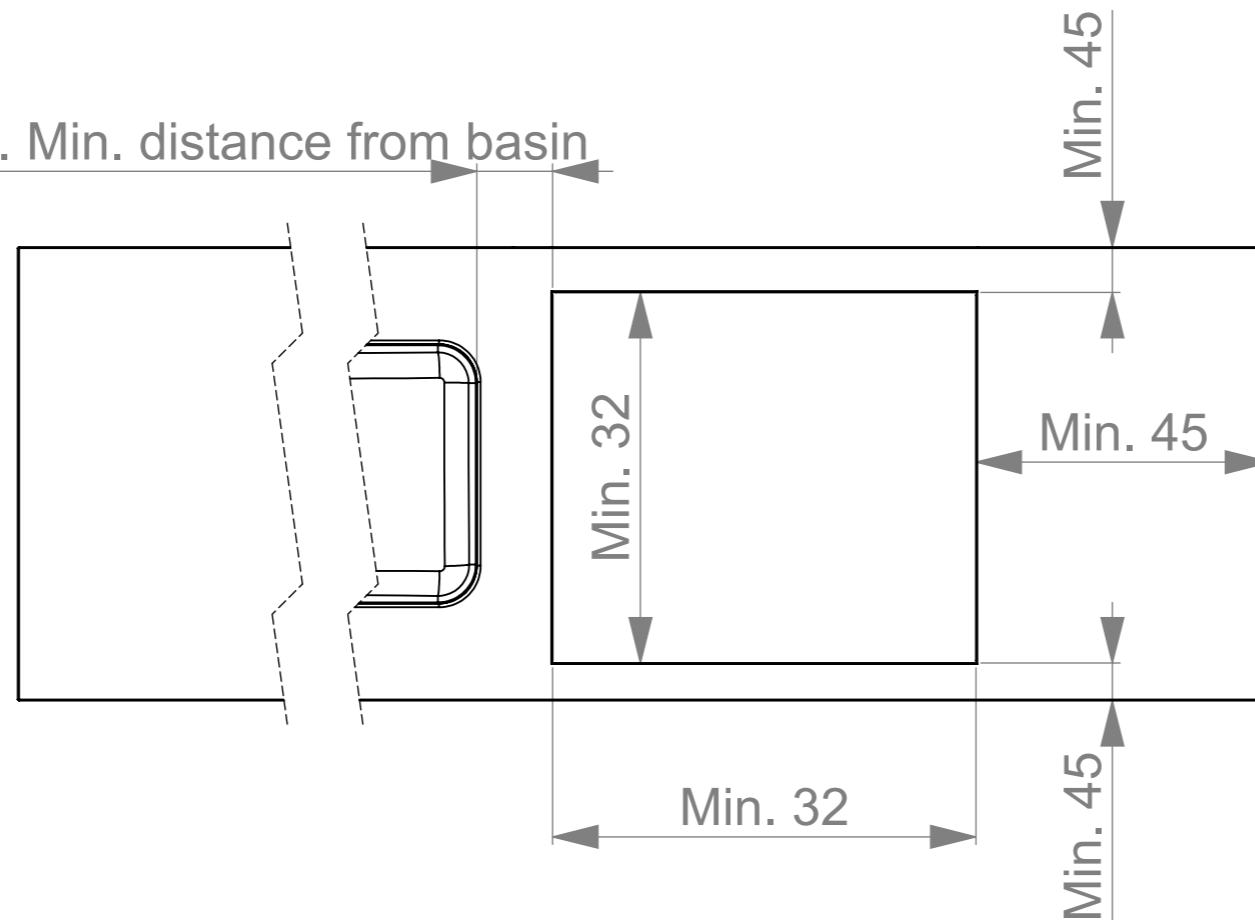
Date
27.05.2020

Designed by
VS

HOB CUTOUT

PRINCIPLE MEASUREMENTS FOR OPTIONAL HOB CUTOUT

+0,3
100 -0,3 mm. Min. distance from basin

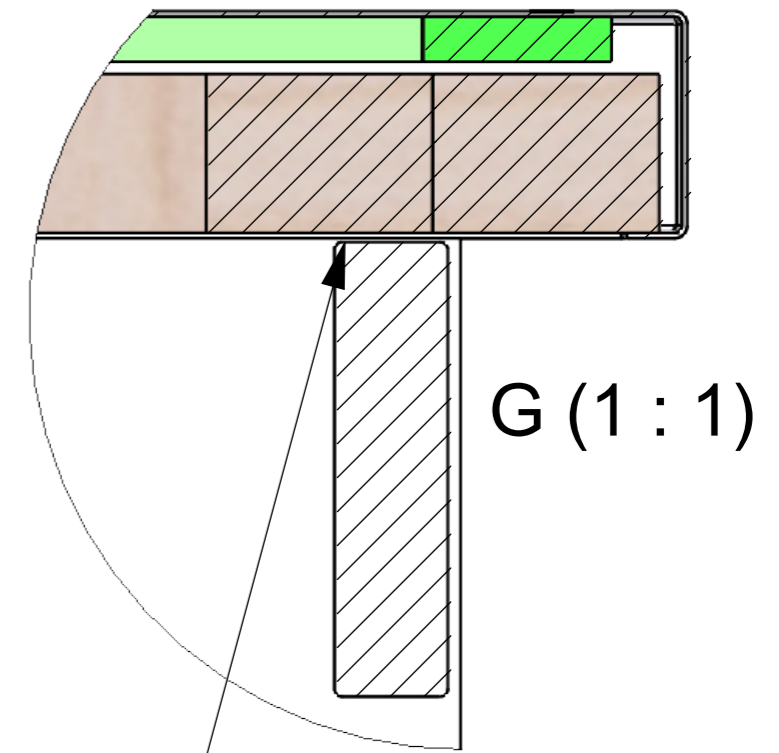
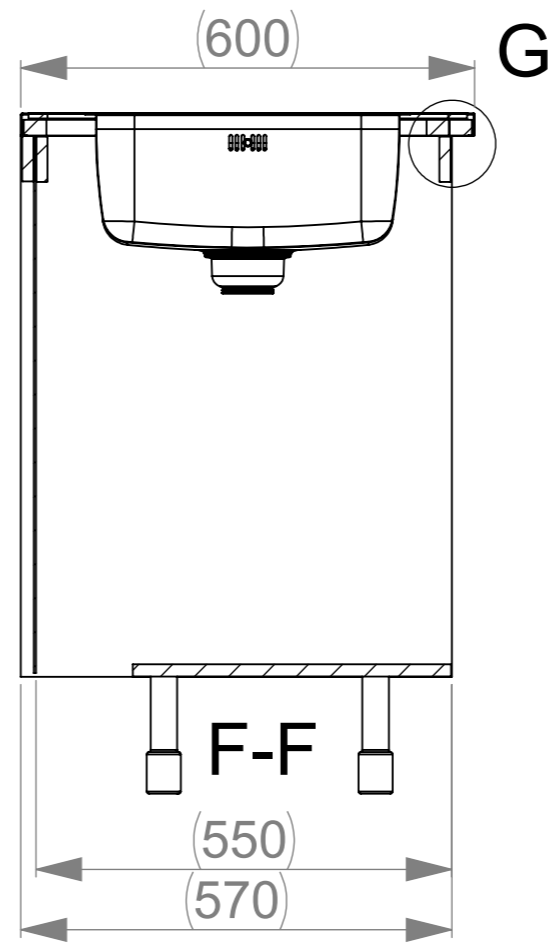
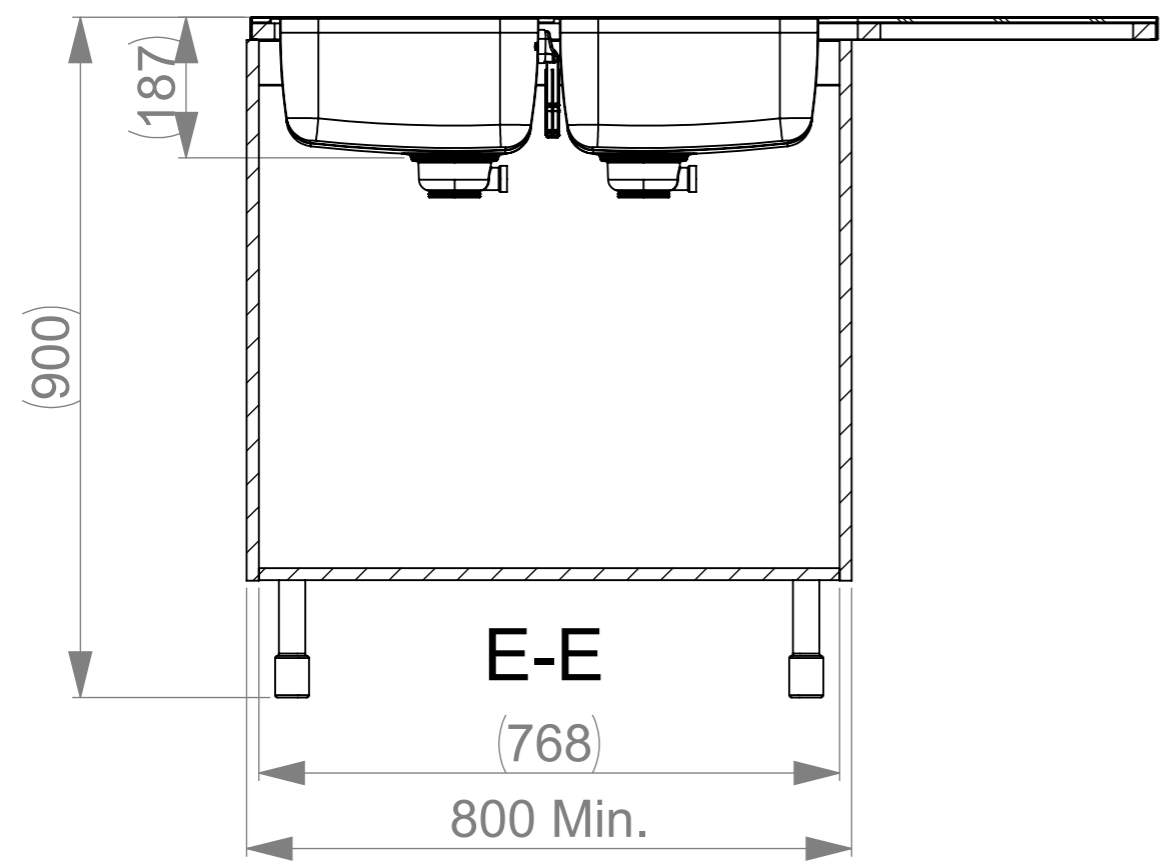


	Mass	9.51 kg	General tolerance	Designed by	VS	Date	01.11.2019	
	Size	A3	Scale	1:10	Item	Approved by	JP	Date
 www.stala.com	Description		A SEVEN	Drawing number		Sheet/sheets		
	Technical Data Sheet		19020	Rev		3/5		
						B		

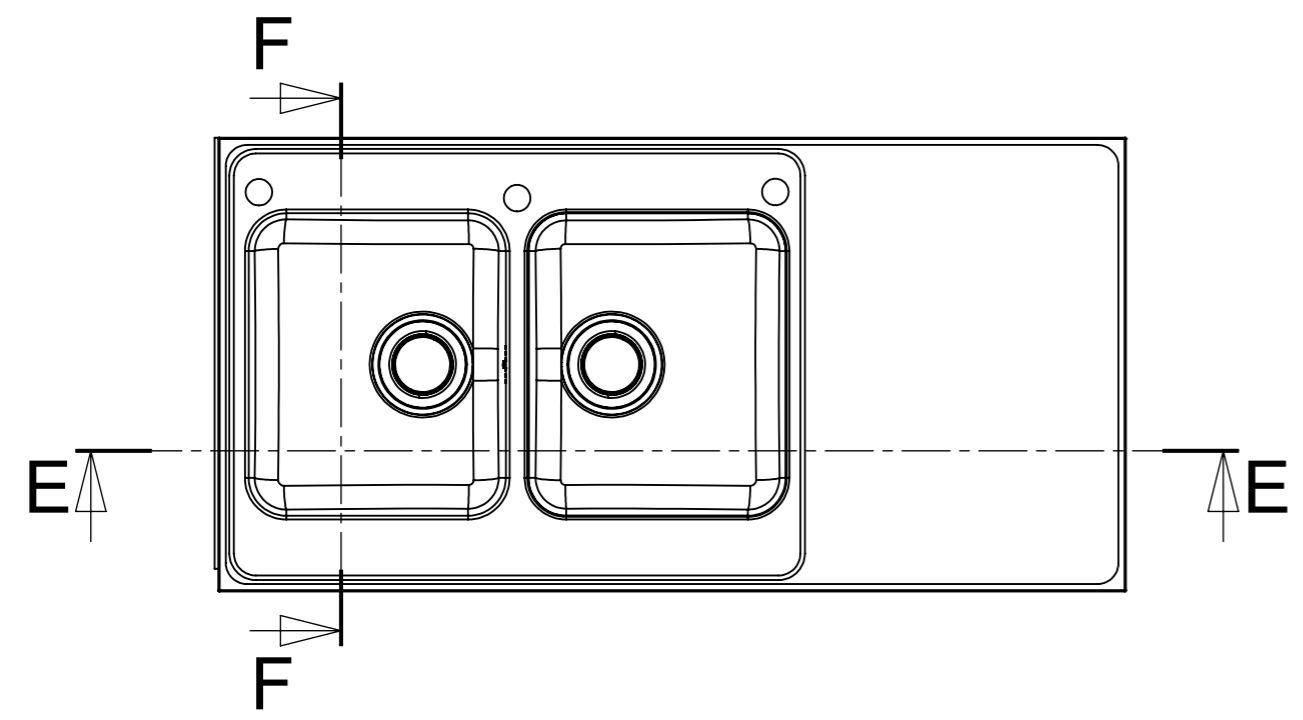
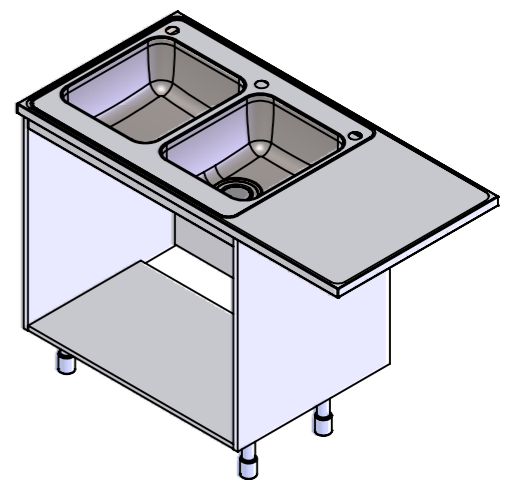
Change description
Under construction upgraded

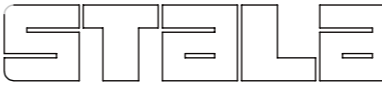
Date
27.05.2020
Designed by
VS

SPACE REQUIREMENTS



Installation to cabin with proper screws



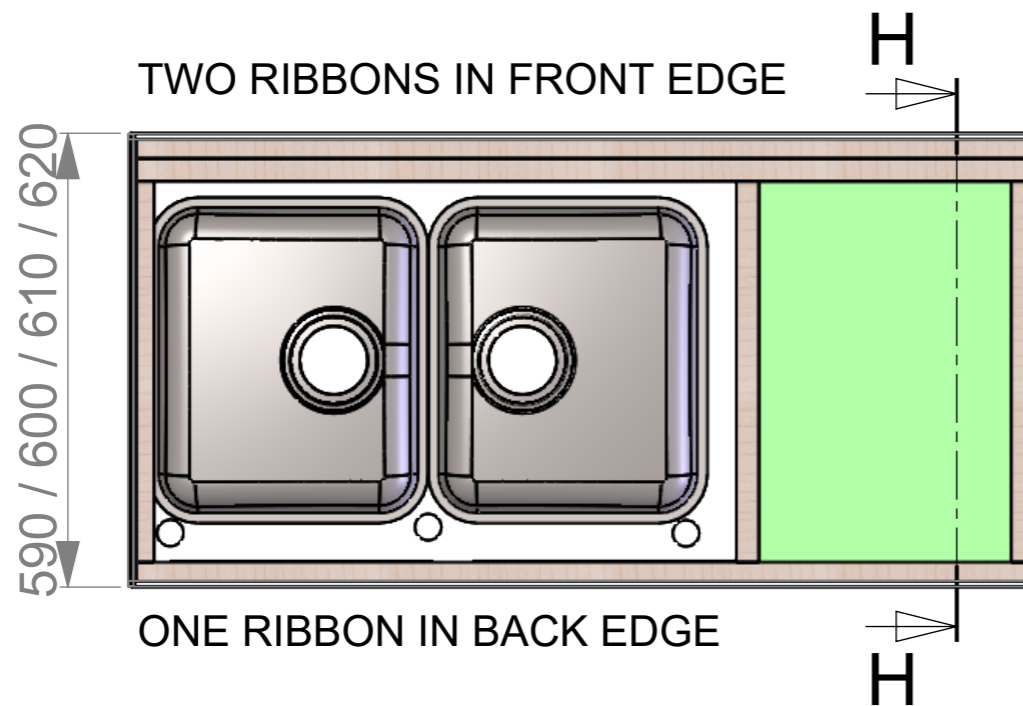
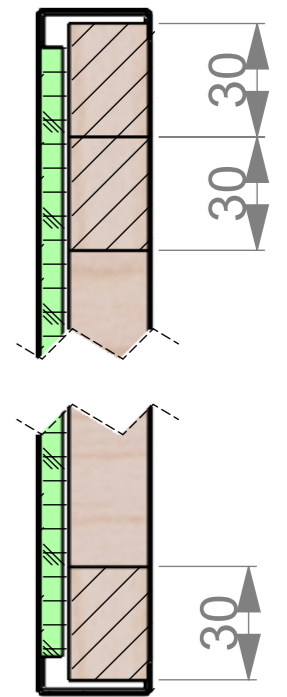
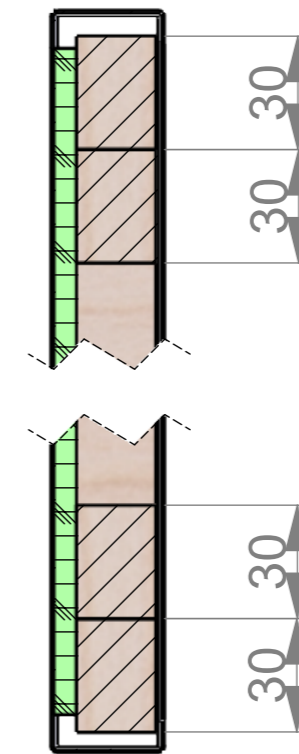
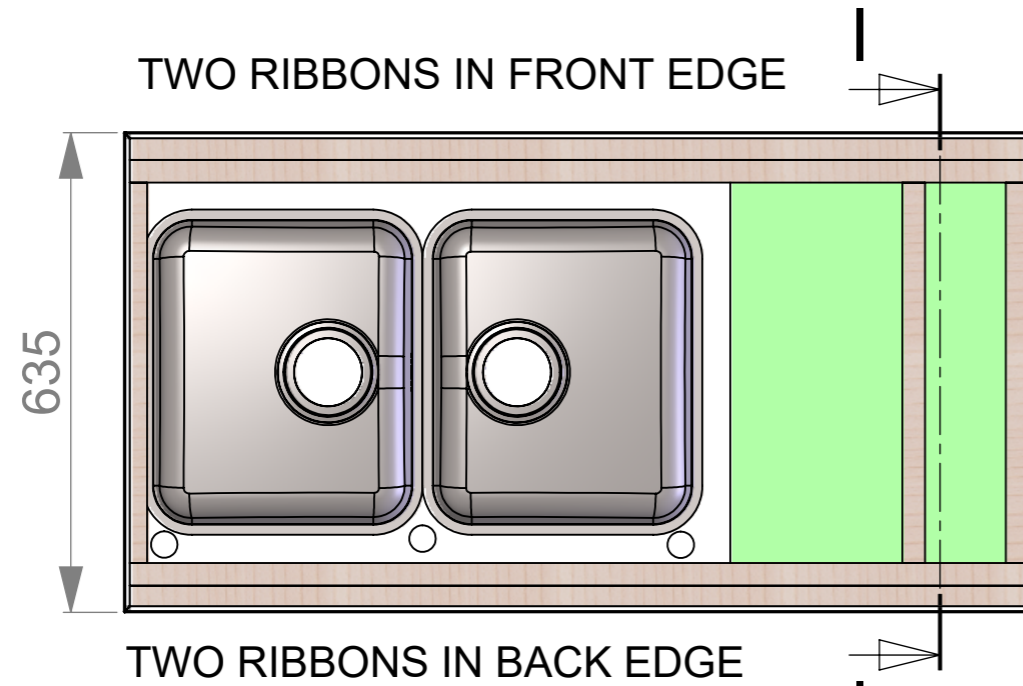
 www.stala.com	Mass 28.55 kg	General tolerance	Designed by VS	Date 01.11.2019
	Size A3		Scale 1:10	Approved by JP
Description A SEVEN		Item	Drawing number 19020	Sheet/sheets 4/5
Technical Data Sheet			Rev B	

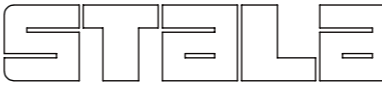
Change description
Under construction upgraded

Date
27.05.2020
Designed by
VS

UNDER CONSTRUCTION

PRINCIPLE OF UNDER CONSTRUCTION: RIBBONS IN FRONT EDGE AND BACK EDGE



 www.stala.com	Mass 8.83 kg	General tolerance	Designed by VS	Date 01.11.2019
	Size A3	Scale 1:10	Item	Date 30.12.2019
Description A SEVEN Technical Data Sheet			Drawing number 19020	Sheet/sheets 5/5
				Rev B