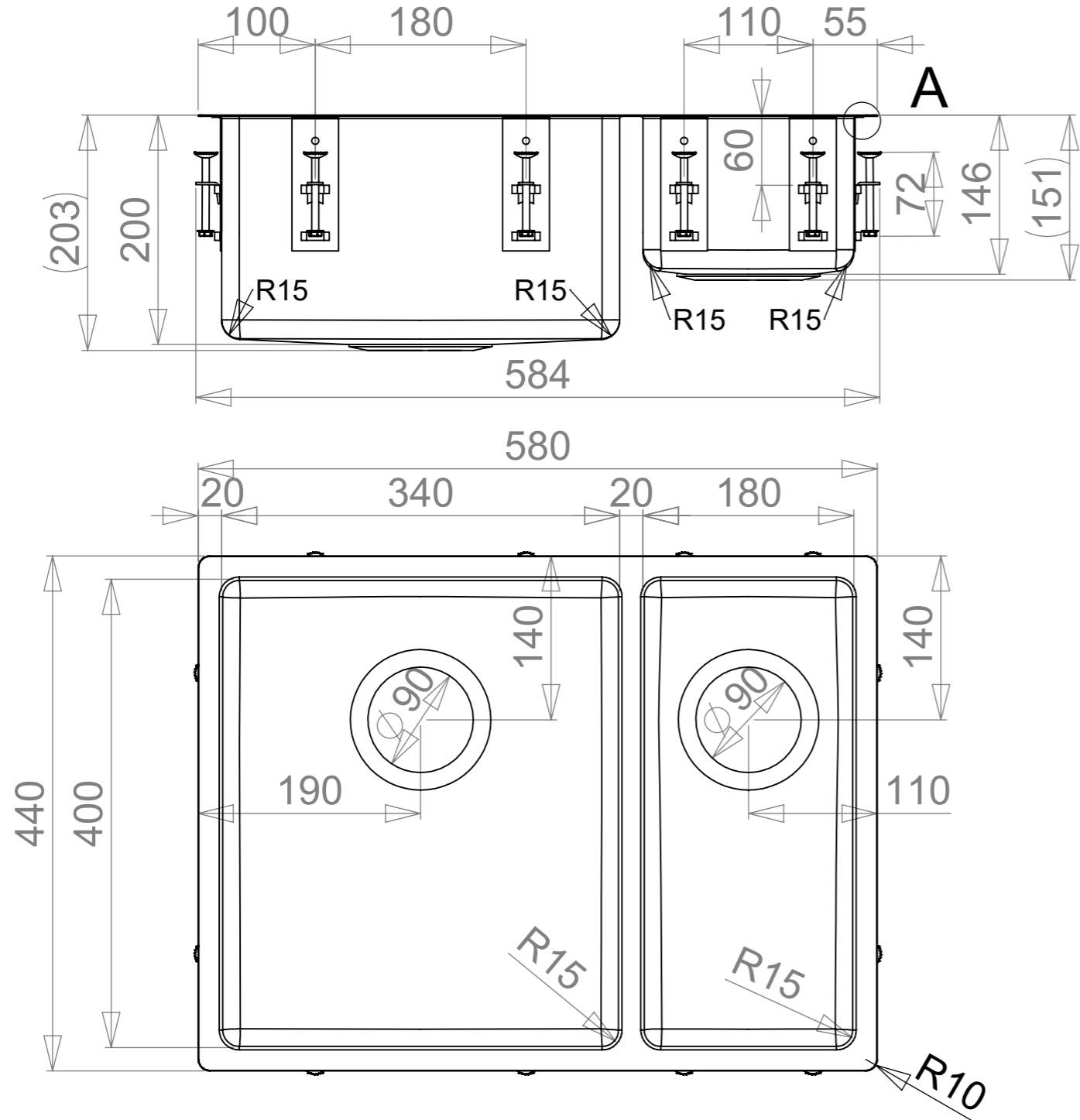


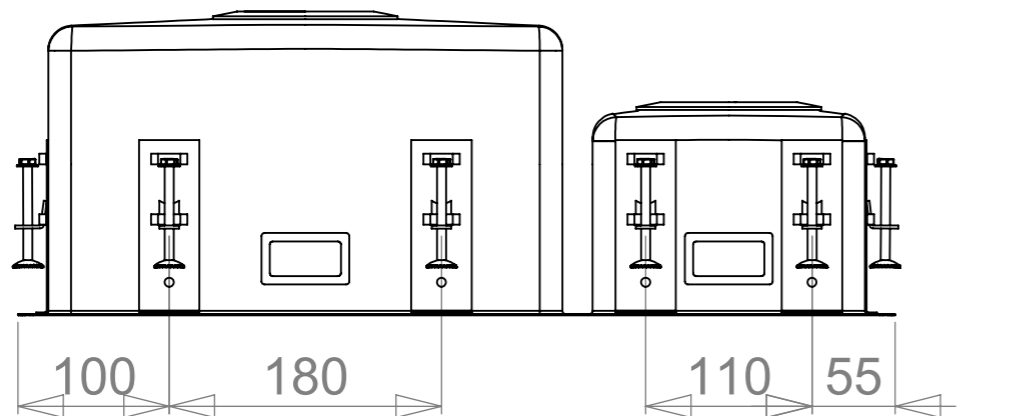
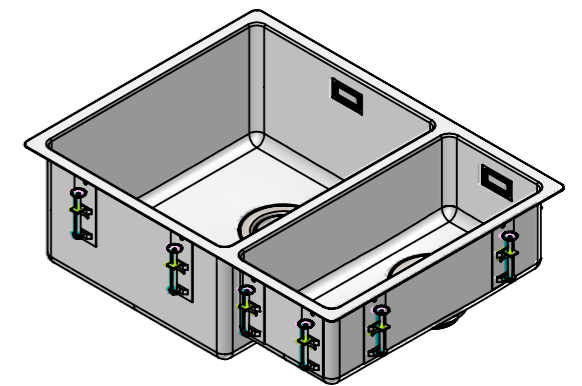
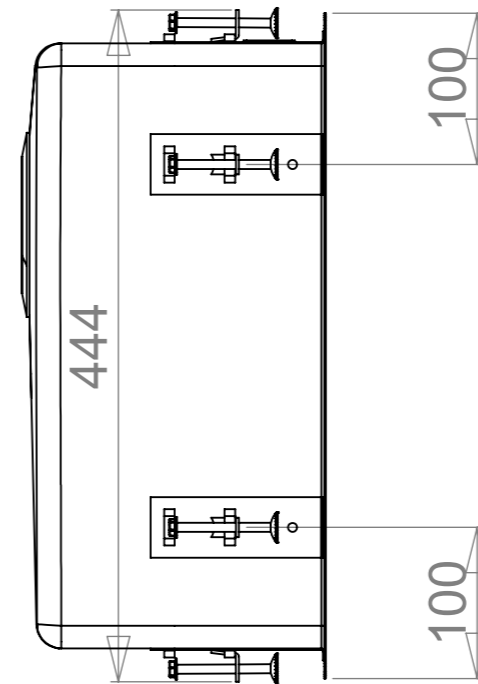
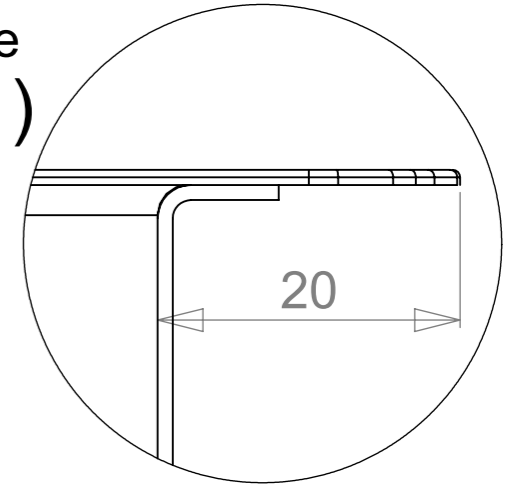
MAIN DIMENSIONS

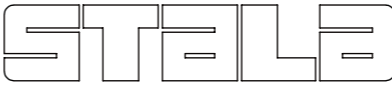
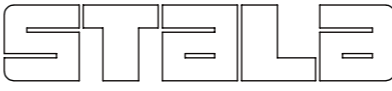
Change description
Depth of the small basin changed: 140 -> 150

Date
02.01.2020
Designed by
VS



Mono edge
A (2 : 1)

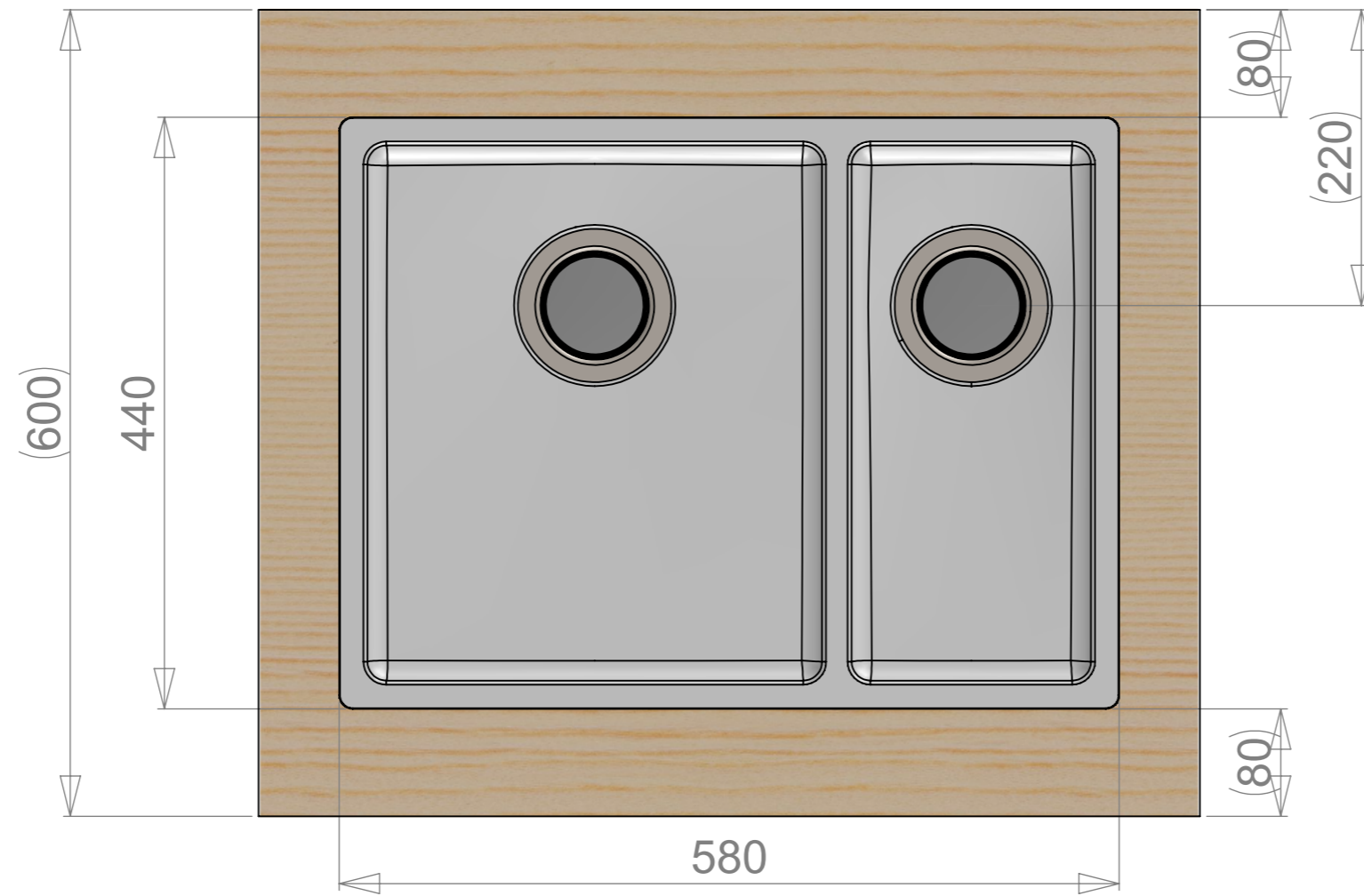


 www.stala.com	Mass 26.89 kg	General tolerance	Designed by VS	Date 08.02.2019
	Size A3		Scale 1:5	Approved by
 www.stala.com	Description LAGOM-34-18 Technical Data Sheet		Drawing number 18191	Sheet/sheets 1/6
				Rev B

Change description
 Depth of the small basin changed: 140 -> 150

Date
 02.01.2020
 Designed by
 VS

WORKTOP ASSEMBLY



A
B
C
D
E
F

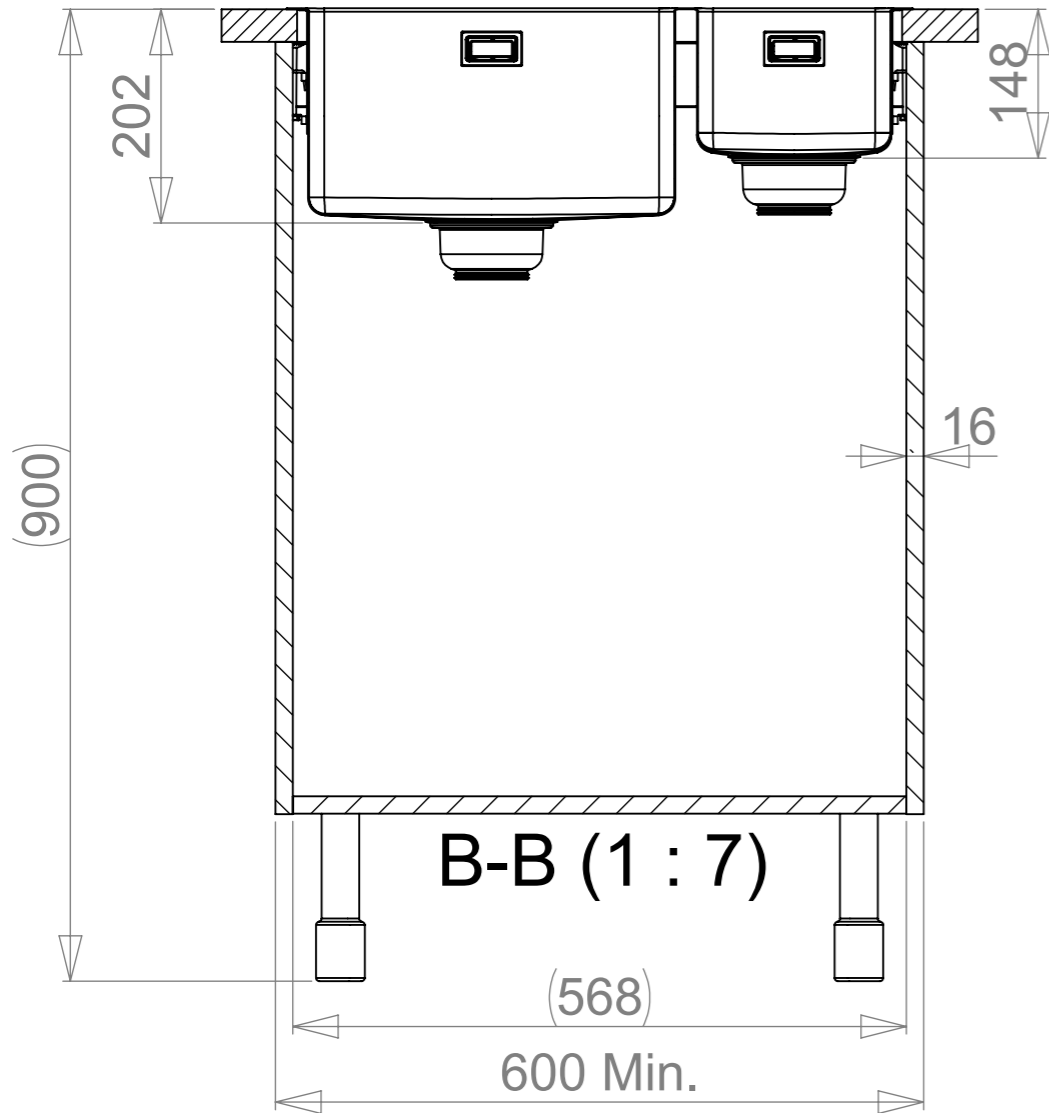
A
B
C
D
E
F

	Mass	26.89 kg	General tolerance	Designed by	Date
	Size	A3	Scale	VS	08.02.2019
 www.stala.com			Item	Approved by	Date
			Description	Drawing number	Sheet/sheets
			LAGOM-34-18	18191	2/6
		Technical Data Sheet		Rev	B

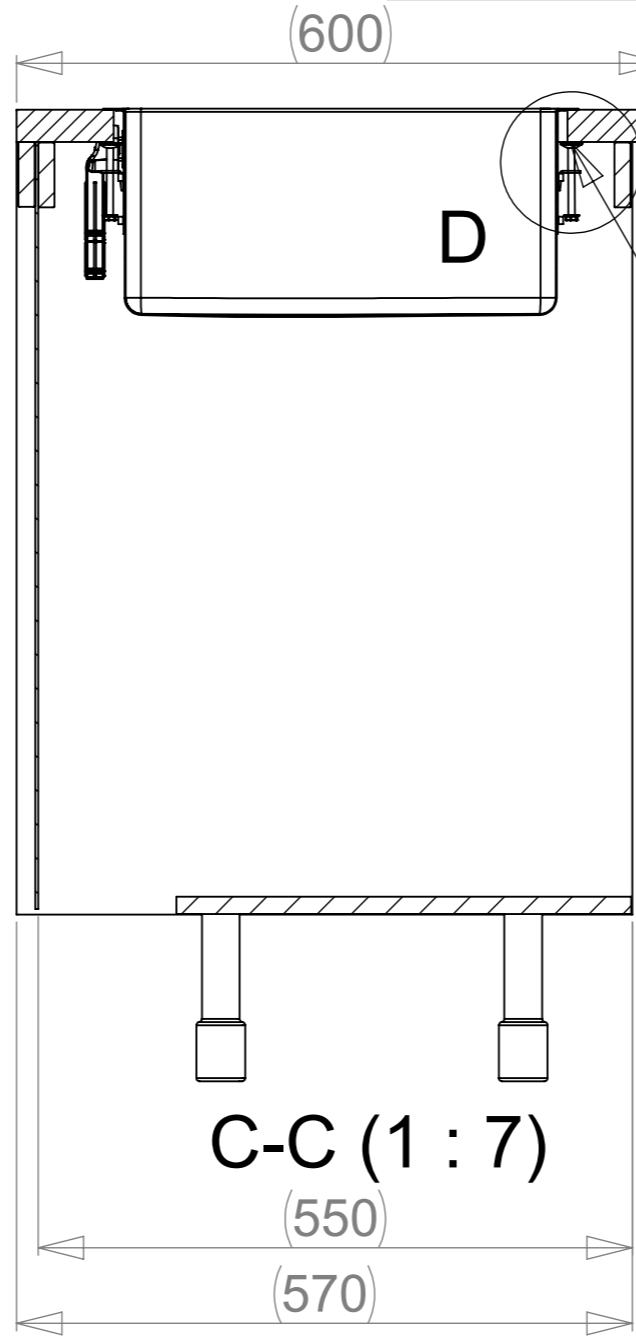
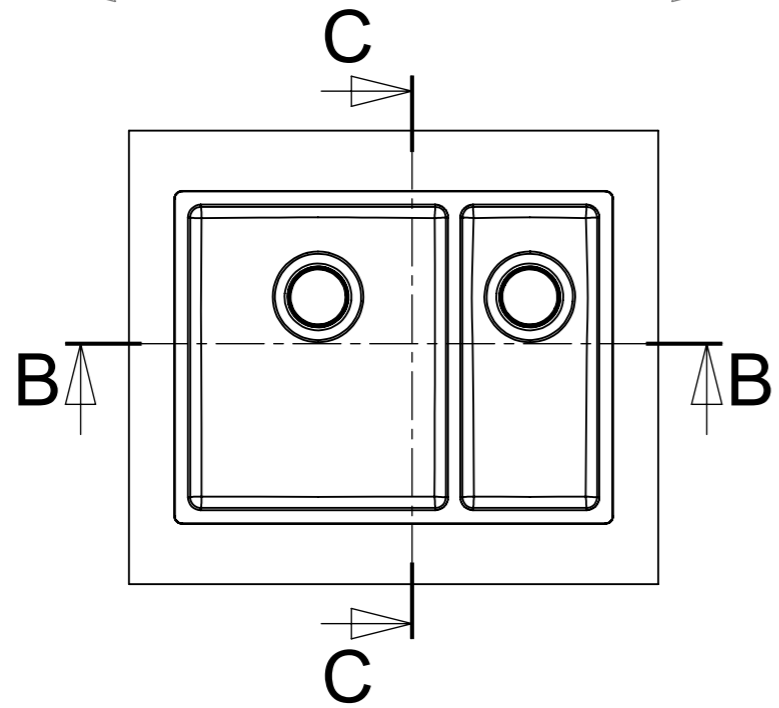
SPACE REQUIREMENTS

Change description
Depth of the small basin changed: 140 -> 150

Date
02.01.2020
Designed by
VS

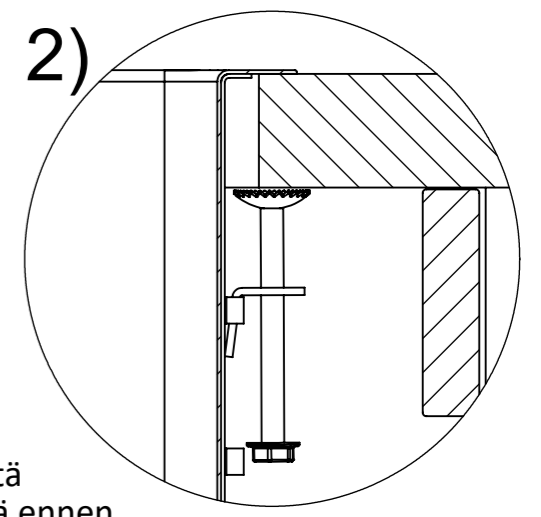


B-B (1 : 7)

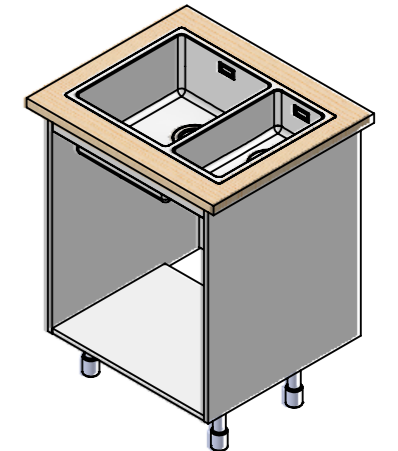


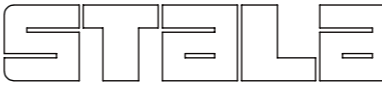
C-C (1 : 7)

D (1 : 2)



Huom!
Tarvittaessa kaapin väliseinää ja etu/takalistaa lovettava kiinnikkeitä varten ja pesuallas on kiinnitettävä ennen työtason asennusta.
Obs!
Vid behov måste en inskärning för hofästena göras i skåpets mellanvägg och förbindningslist och diskbänken måste fästas innan du monterar bänkskivan.
Notice!
The partition walls and front/back list of the cupboard must be notched for the sink mountings when needed and the sink must be fastened before installing the worktop.

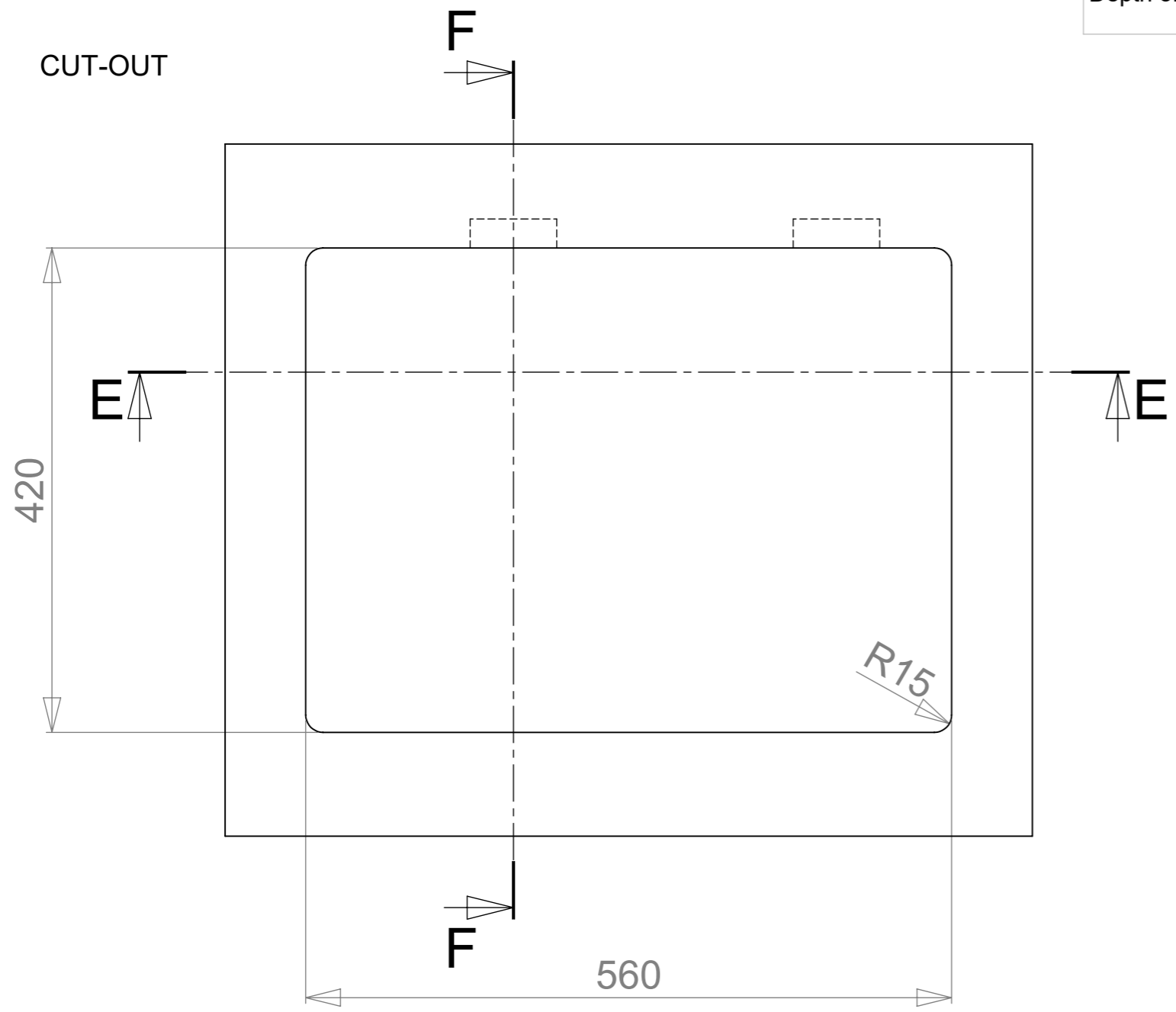


 www.stala.com	Mass 26.89 kg	General tolerance	Designed by VS	Date 08.02.2019
	Size A3	Scale 1:10	Item	Approved by
Description LAGOM-34-18 Technical Data Sheet			Drawing number 18191	Sheet/sheets 3/6 Rev B

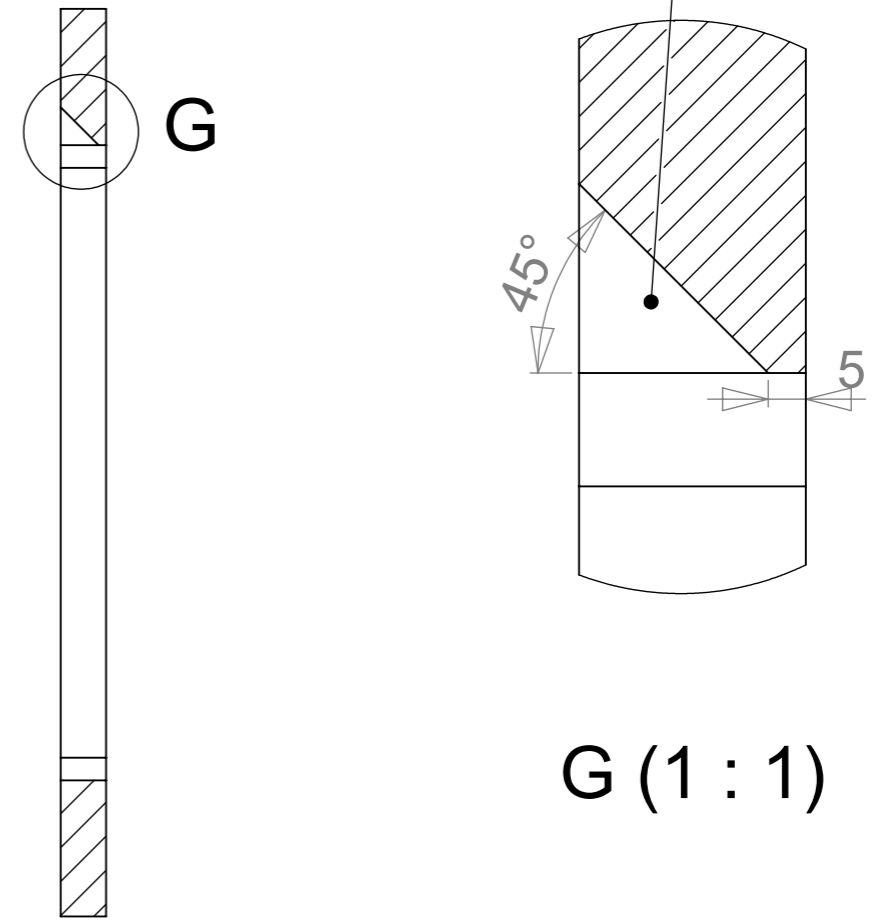
Change description
 Depth of the small basin changed: 140 -> 150

Date
 02.01.2020
 Designed by
 VS

CUT-OUT

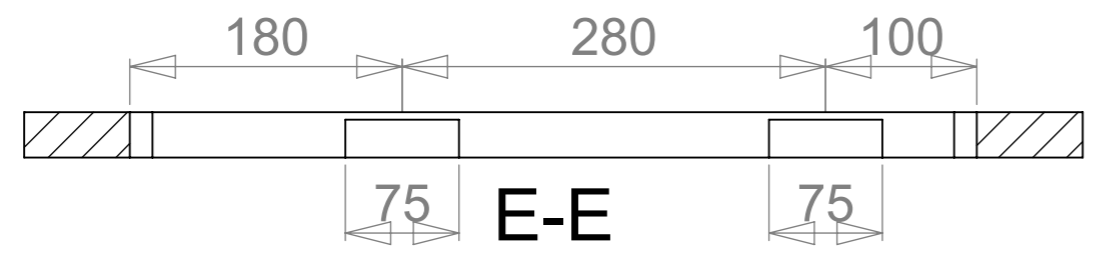
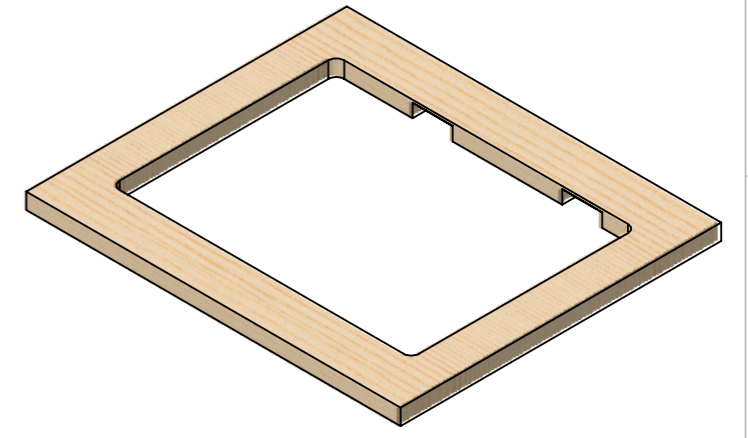


Cut out for overflow



G (1 : 1)

F-F



E-E

	Mass	26.89 kg	General tolerance	Designed by	VS	Date	08.02.2019
	Size	A3		Scale	1:5	Approved by	
 www.stala.com	Description			Drawing number	18191	Sheet/sheets	4/6
	LAGOM-34-18 Technical Data Sheet					Rev	B

