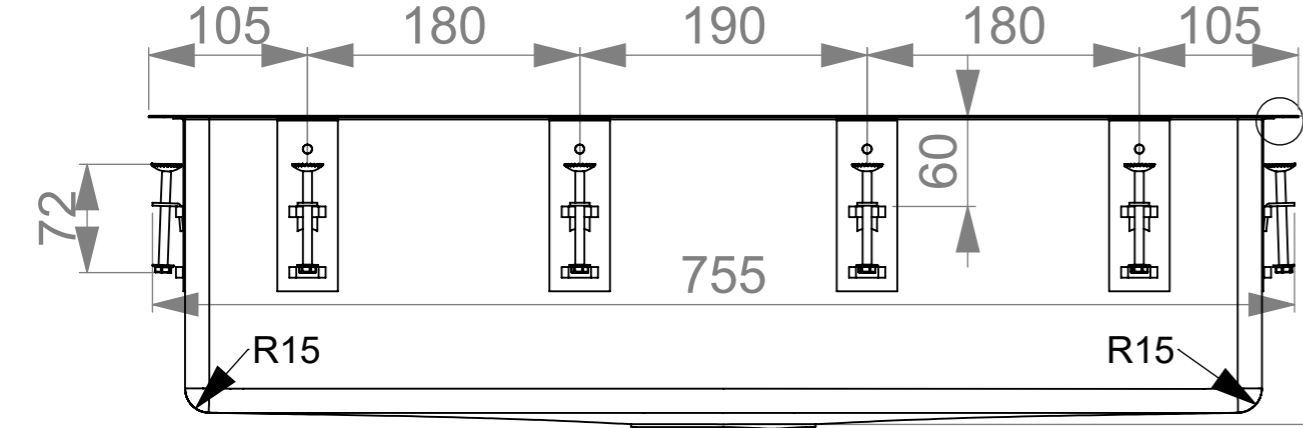


MAIN DIMENSIONS

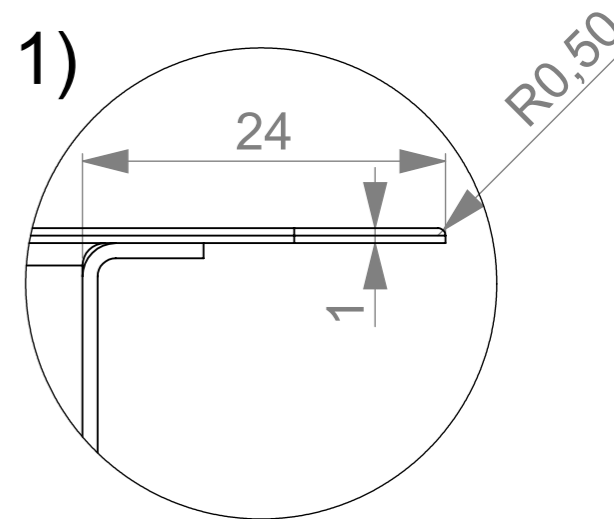


Change description  
Type of fixing clips changed, cut-out measurements changed

Date  
28.10.2021

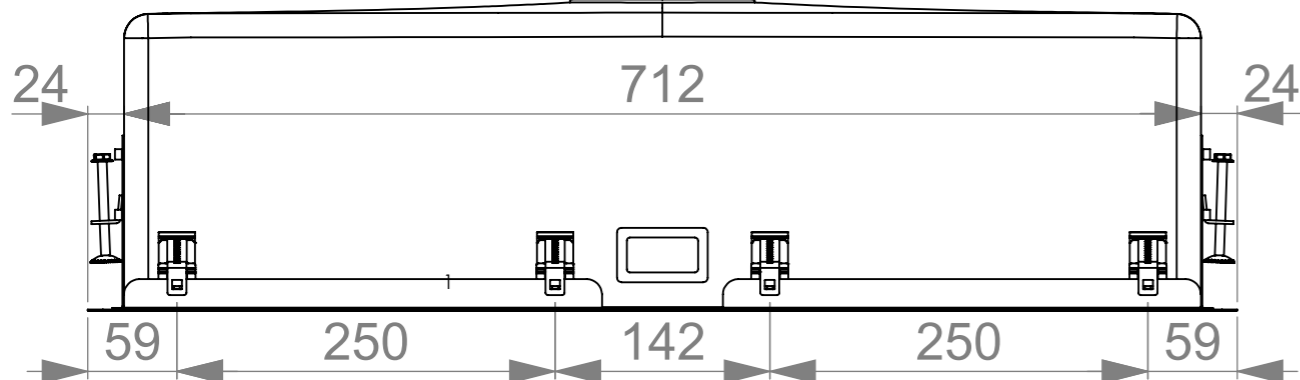
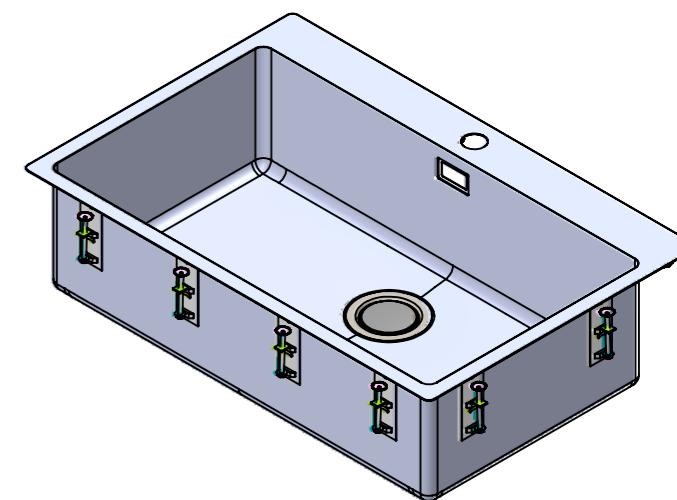
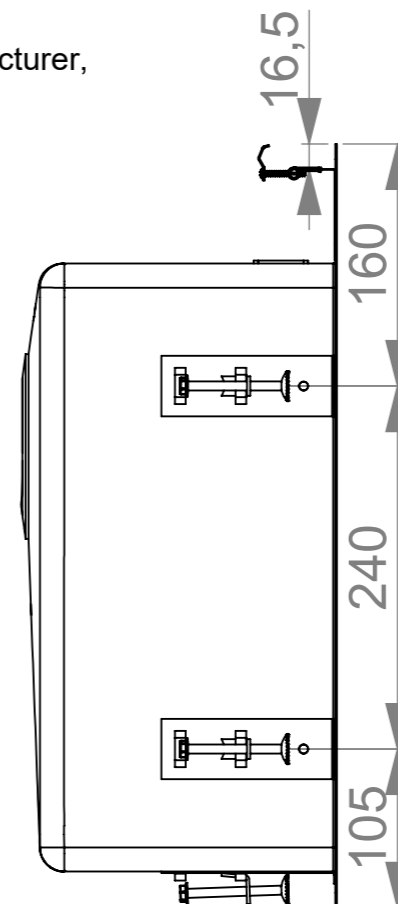
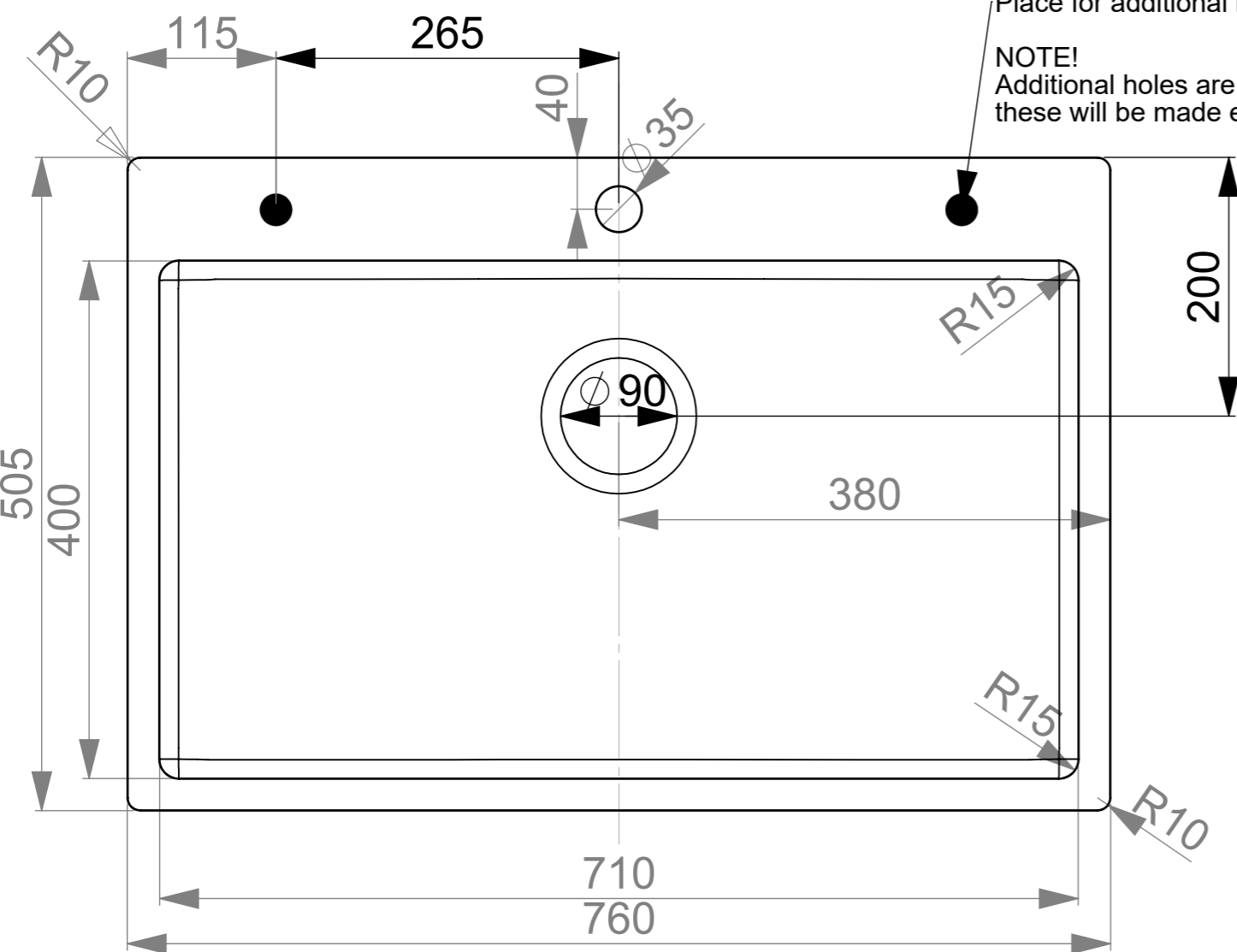
Designed by  
VS

A (2 : 1)



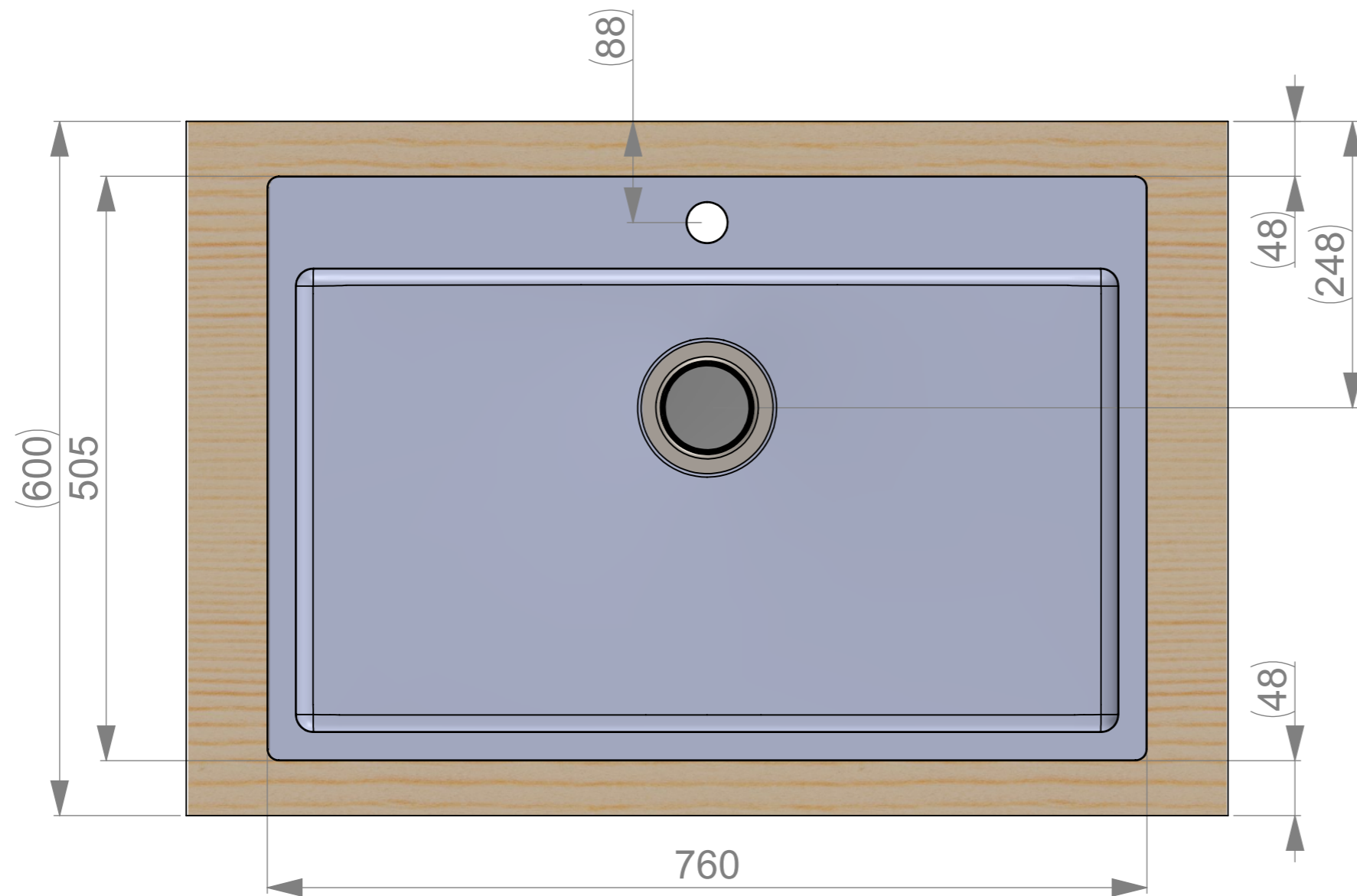
Place for additional holes in tap support. maximum  $\phi 35$ mm.

NOTE!  
Additional holes are not made by manufacturer, these will be made e.g. by the plumber!



	Mass	kg	General tolerance	Designed by	Date
	Size	Scale	Item	VS	05.02.2019
	A3	1:5	Description	Approved by	Date
	LAGOM-T71			Drawing number	Sheet/sheets
	Technical Data Sheet			18185	1/6
				Rev	C



WORKTOP ASSEMBLY



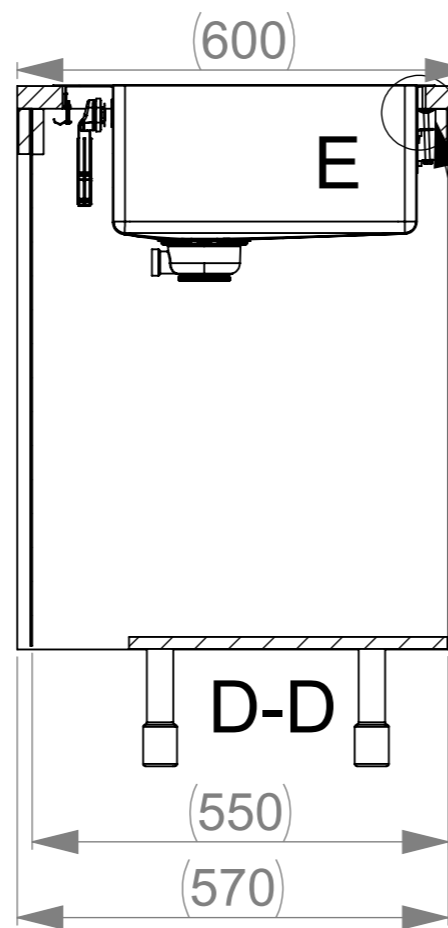
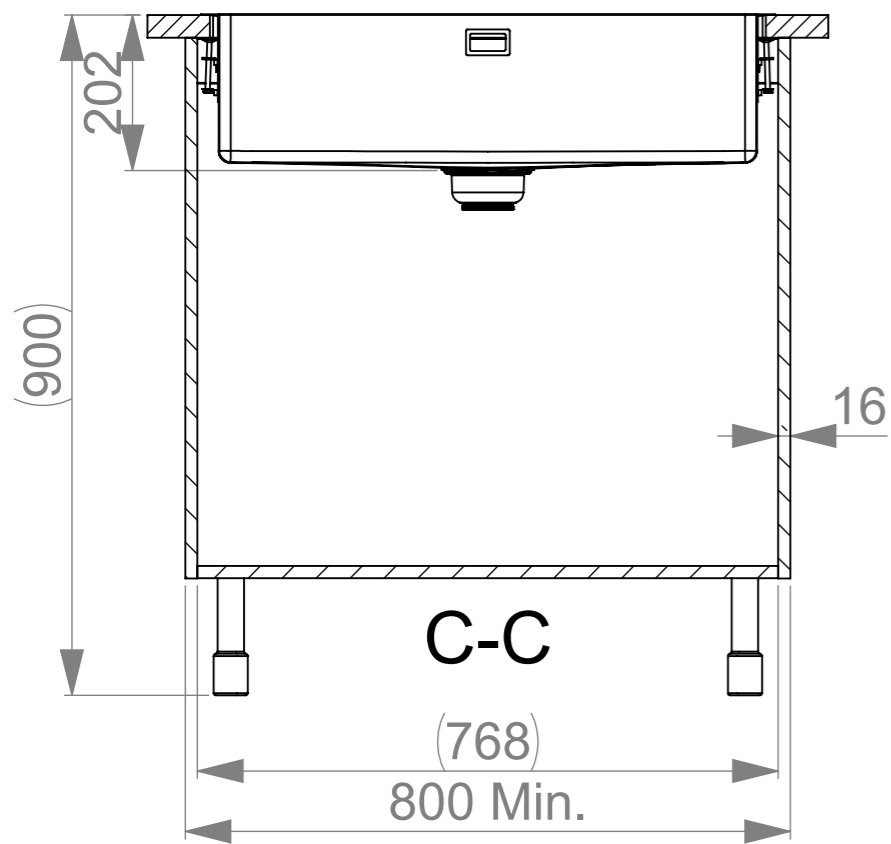
Change description  
Type of fixing clips changed, cut-out measurements changed

Date  
28.10.2021

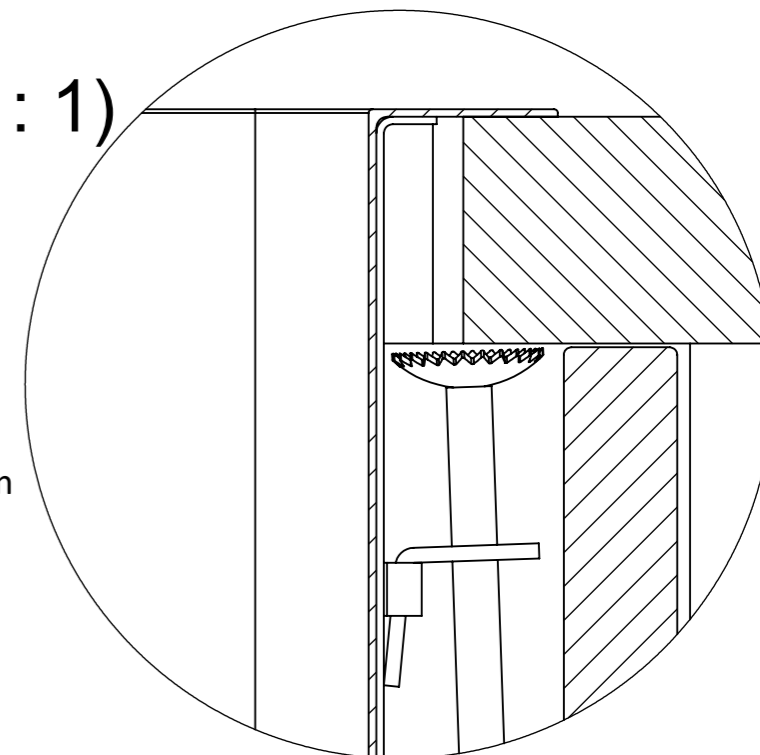
Designed by  
VS

	Mass	kg	General tolerance	Designed by	Date	
	Size	Scale		VS	05.02.2019	
	A3	1:5	Description	Approved by	Date	
				LAGOM-T71	Drawing number	Sheet/sheets
				Technical Data Sheet		18185
				Rev	C	

SPACE REQUIREMENTS



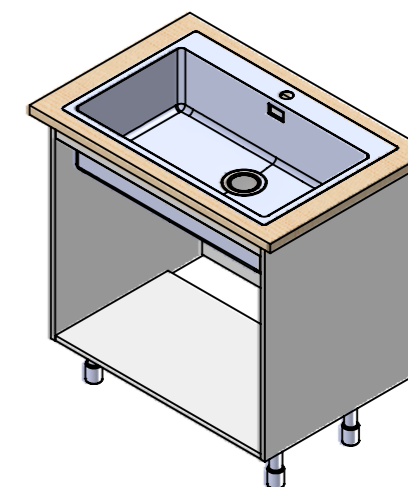
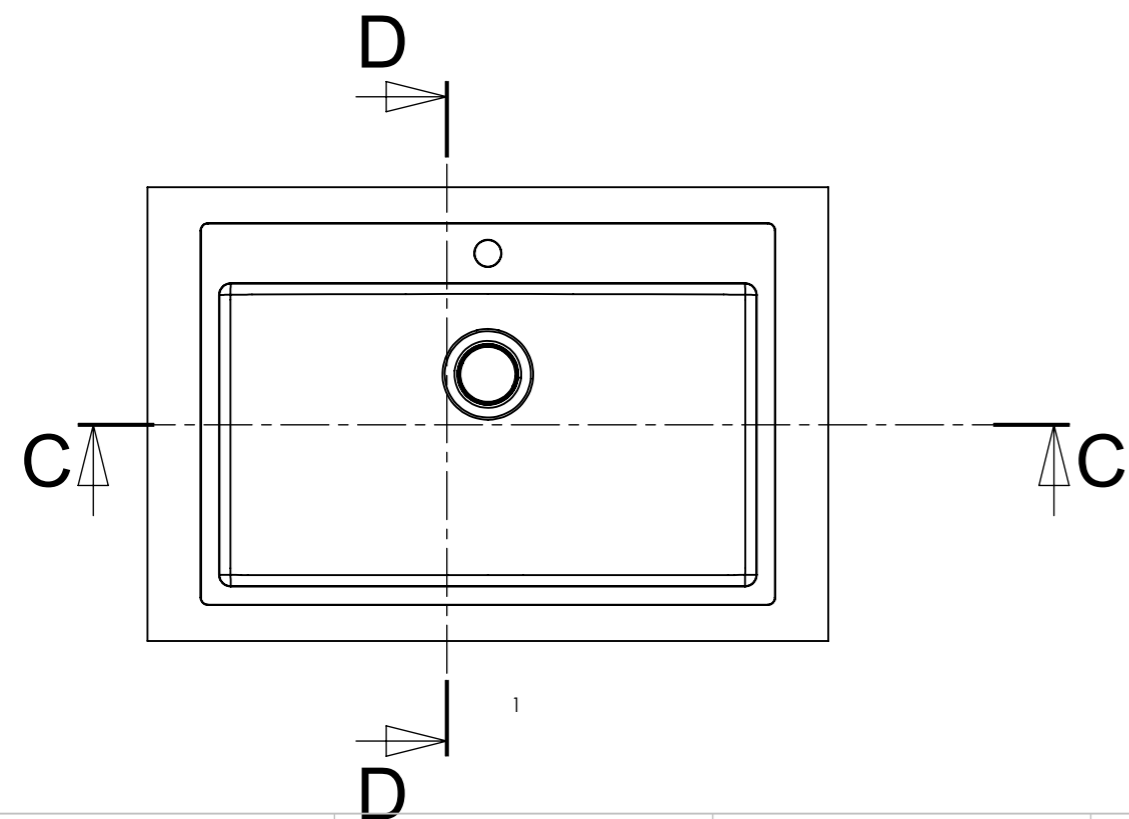
E (1 : 1)




Change description  
Type of fixing clips changed, cut-out measurements changed

Date  
28.10.2021  
Designed by  
VS

Huom!  
Tarvittaessa kaapin väliseinää ja etu/takalistaa lovetettava kiinnikkeitä varten ja pesuallas on kiinnitettävä ennen työtason asennusta.  
Obs!  
Vid behov måste en inskärning för hofästena göras i skåpets mellanvägg och förbindningslist och diskbänken måste fästas innan du monterar bänkskivan.  
Notice!  
The partition walls and front/back list of the cupboard must be notched for the sink mountings when needed and the sink must be fastened before installing the worktop.



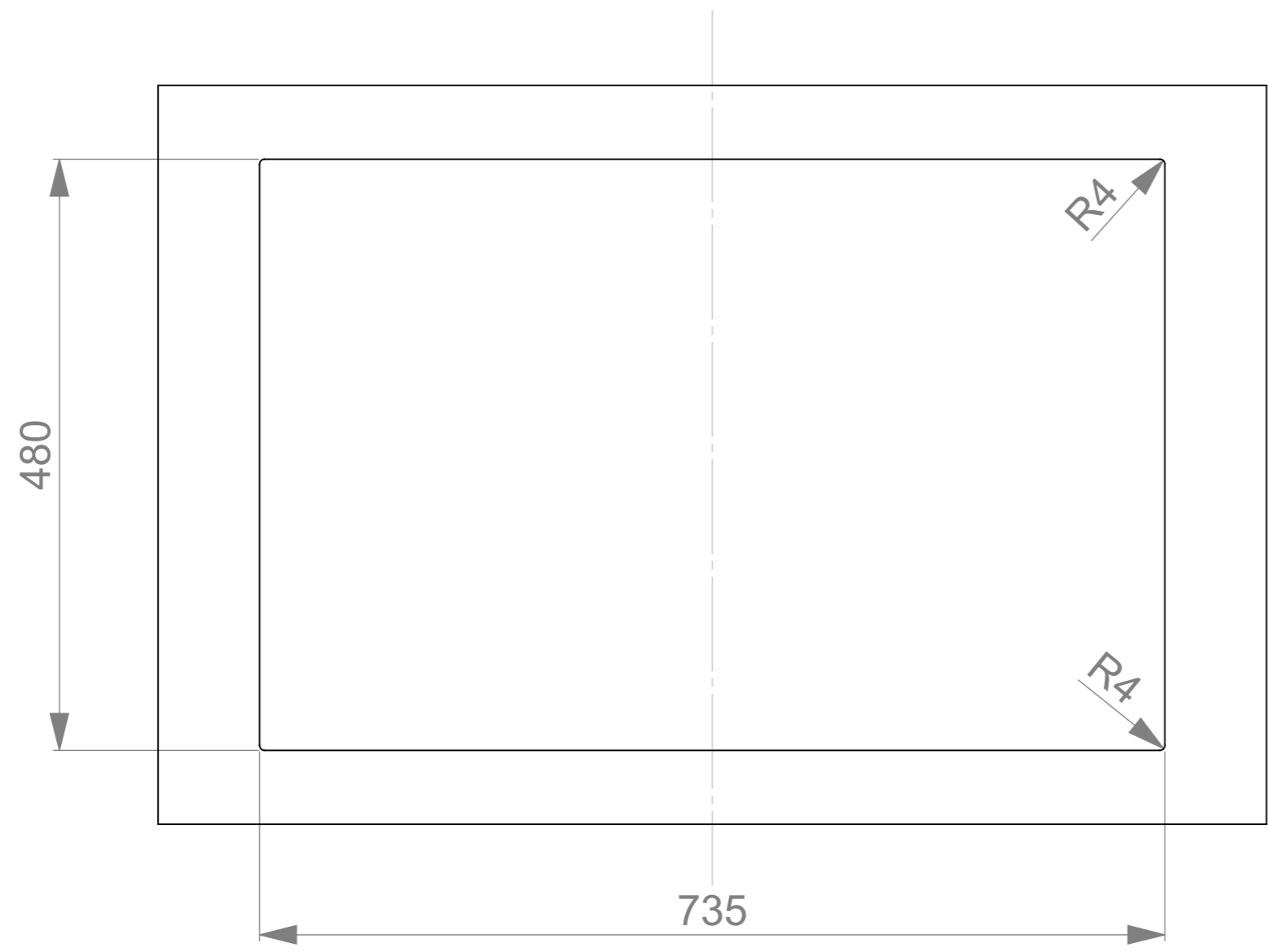
 Member of ALVEUS	Mass	kg	General tolerance	Designed by	Date
	Size	Scale	Item	VS	05.02.2019
<b>LAGOM-T71</b> Technical Data Sheet	A3	1:10	Description	Approved by	Date
			18185	Drawing number	Sheet/sheets
				3/6	Rev
					C

Change description  
Type of fixing clips changed, cut-out measurements changed

Date  
28.10.2021


Designed by  
VS

CUT-OUT



A  
B  
C  
D  
E  
F

A  
B  
C  
D  
E  
F

	Mass	kg	General tolerance	Designed by	Date
	Size	Scale		Item	VS
<b>STALA</b> Member of ALVEUS	A3	1:5	Description LAGOM-T71 Technical Data Sheet	Approved by	Date
				Drawing number	Sheet/sheets
				<b>18185</b>	4/6
				Rev	C

