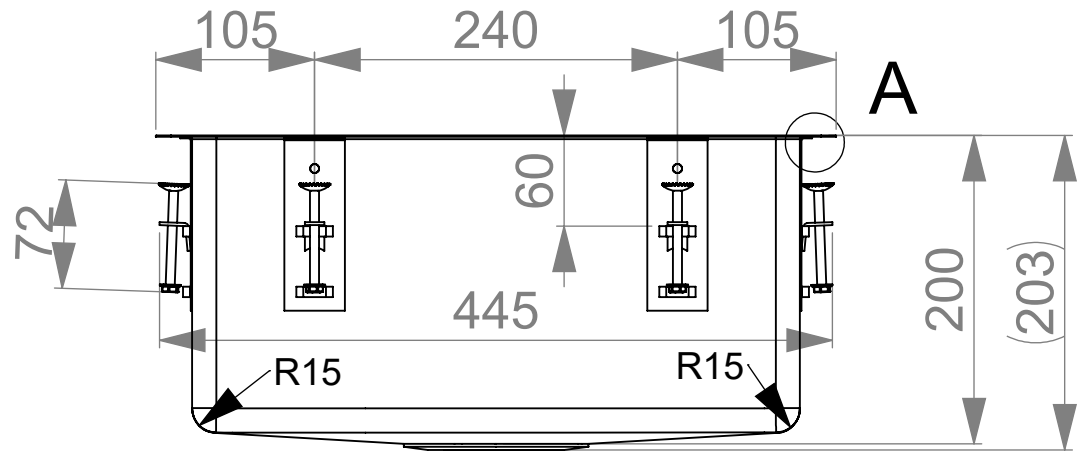


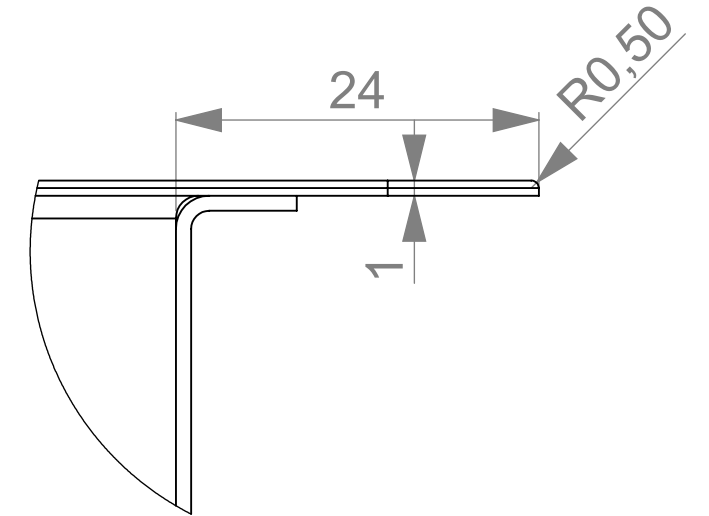
MAIN DIMENSIONS

Change description
Type of fixing clips changed, cut-out measurements changed

Date
28.10.2021
Designed by
VS

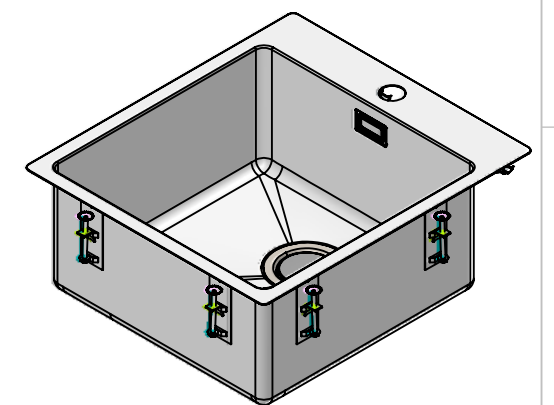
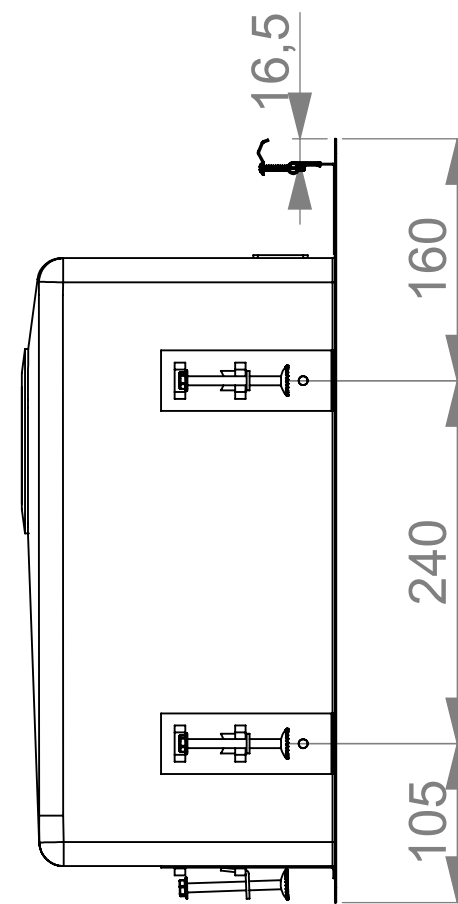
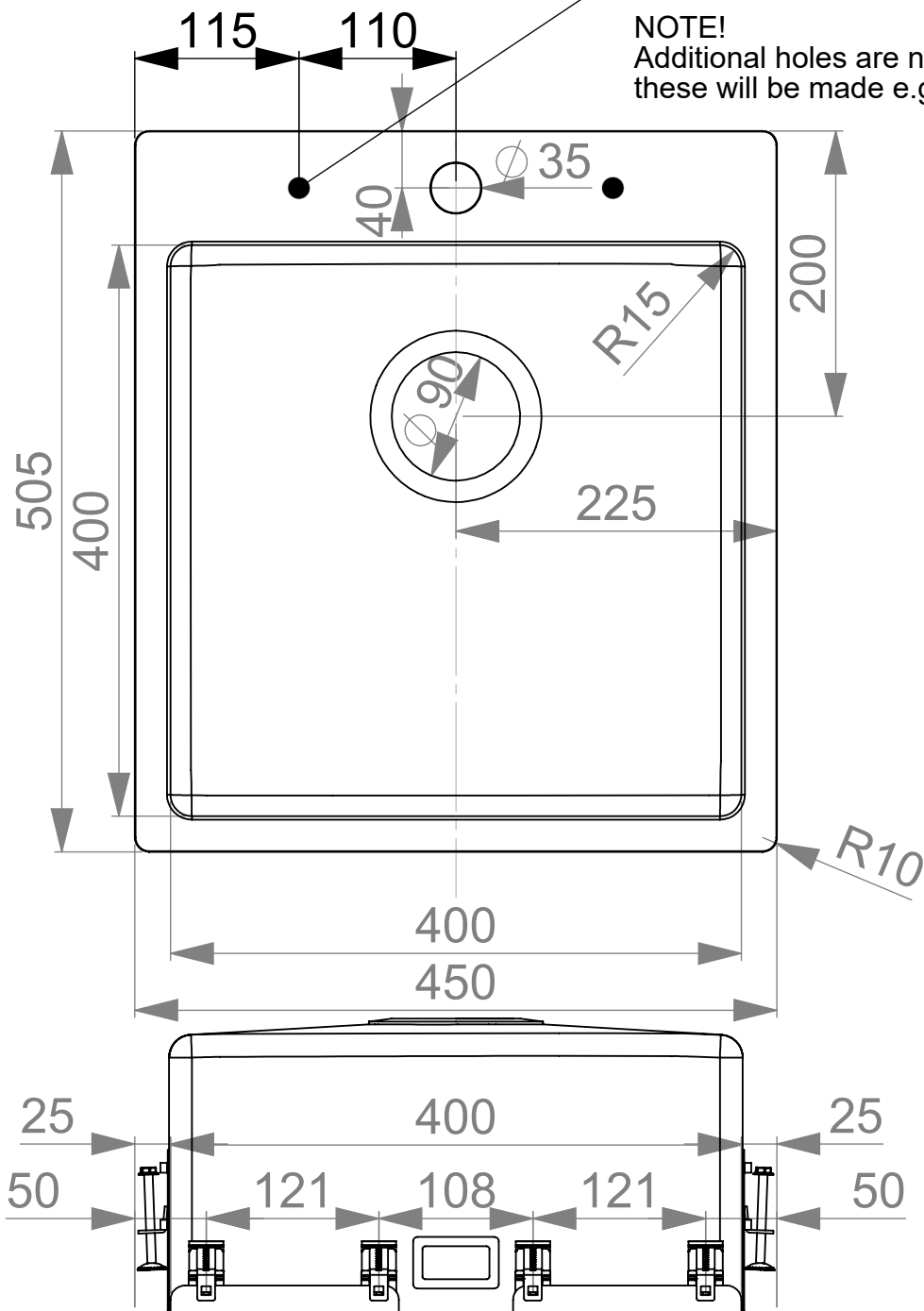


Mono Edge
A (2 : 1)



Place for additional holes in tap support. Maximum $\varnothing 35$ mm.

NOTE!
Additional holes are not made by manufacturer,
these will be made e.g. by the plumber!



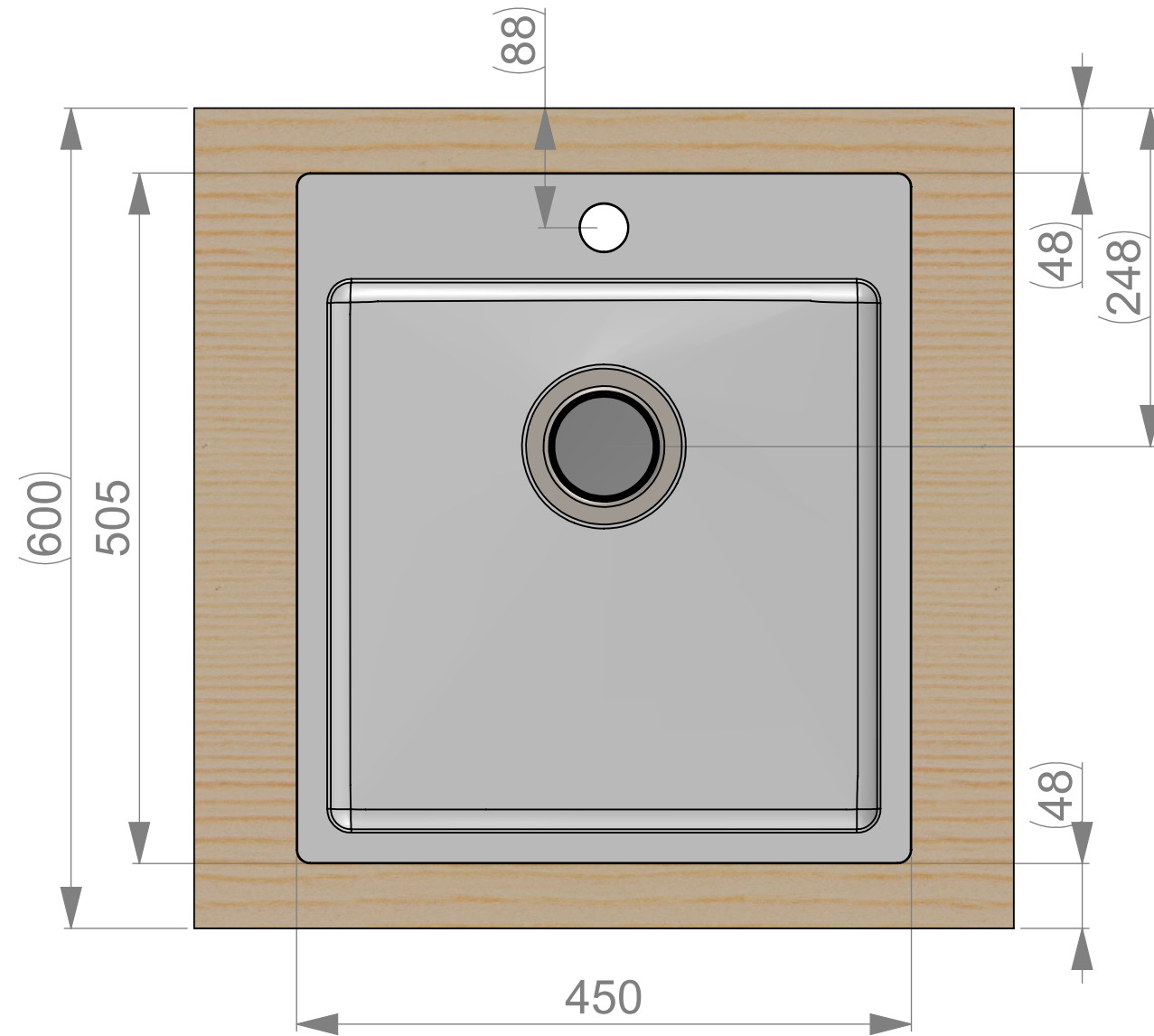
	Mass	kg	General tolerance	Designed by	Date
	Size	Scale		VS	05.02.2019
	A3	1:5	Description LAGOM-T40 Technical Data Sheet	Approved by	Date
				Drawing number	Sheet/sheets
				18179	1/6
				Rev	C


WORKTOP ASSEMBLY

Change description
Type of fixing clips changed, cut-out measurements changed

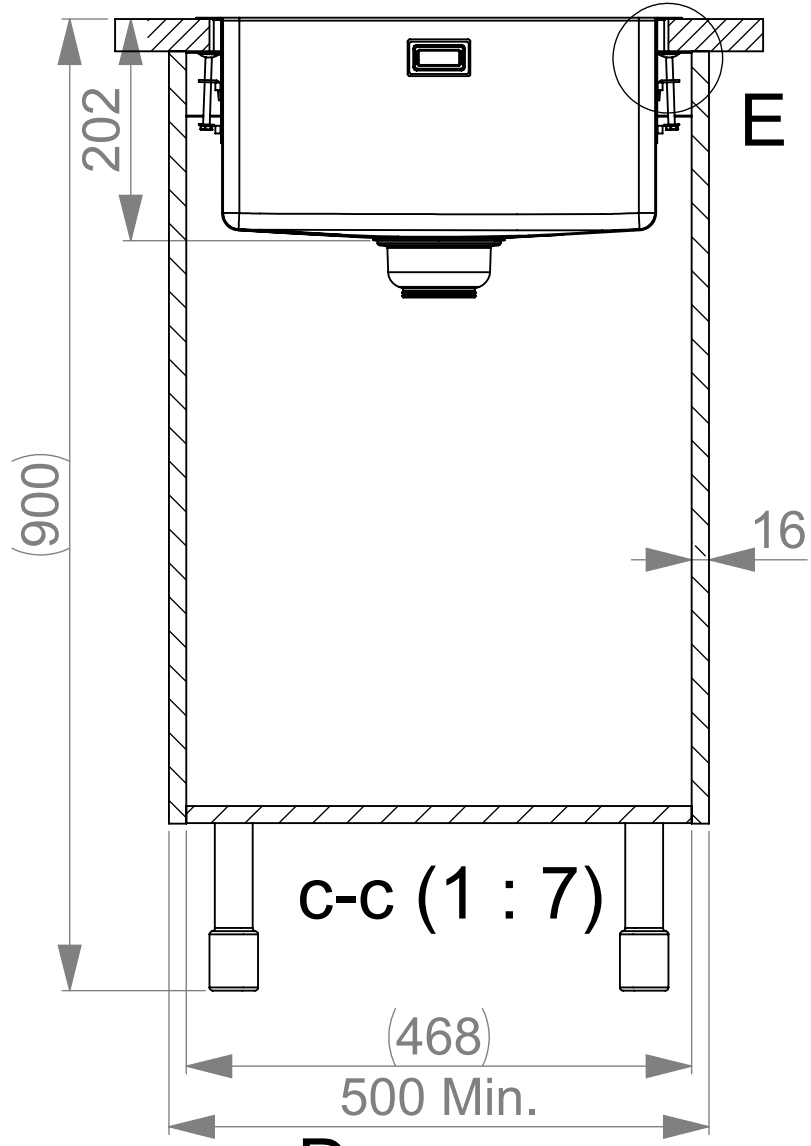
Date
28.10.2021

Designed by
VS



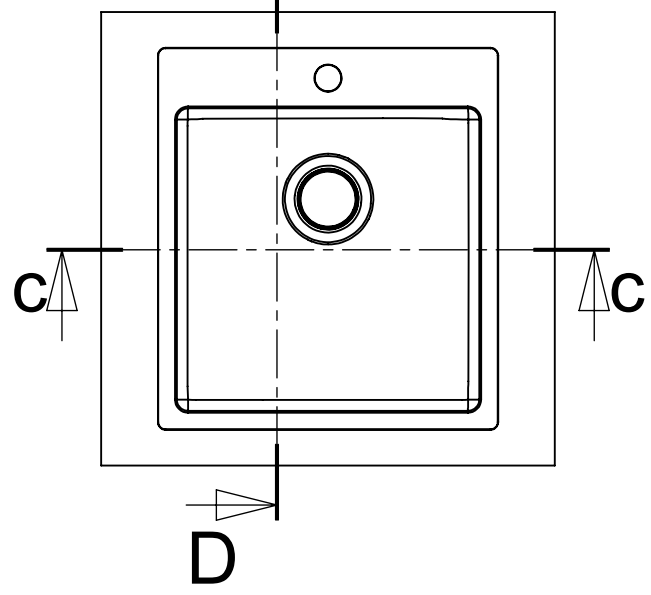
	Mass	kg	General tolerance	Designed by	Date
	Size	Scale	Item	VS	05.02.2019
STALA Member of ALVEUS	A3	1:5	Description	Approved by	Date
			LAGOM-T40	Drawing number	Sheet/sheets
			Technical Data Sheet	18179	2/6
				Rev	C

SPACE REQUIREMENTS

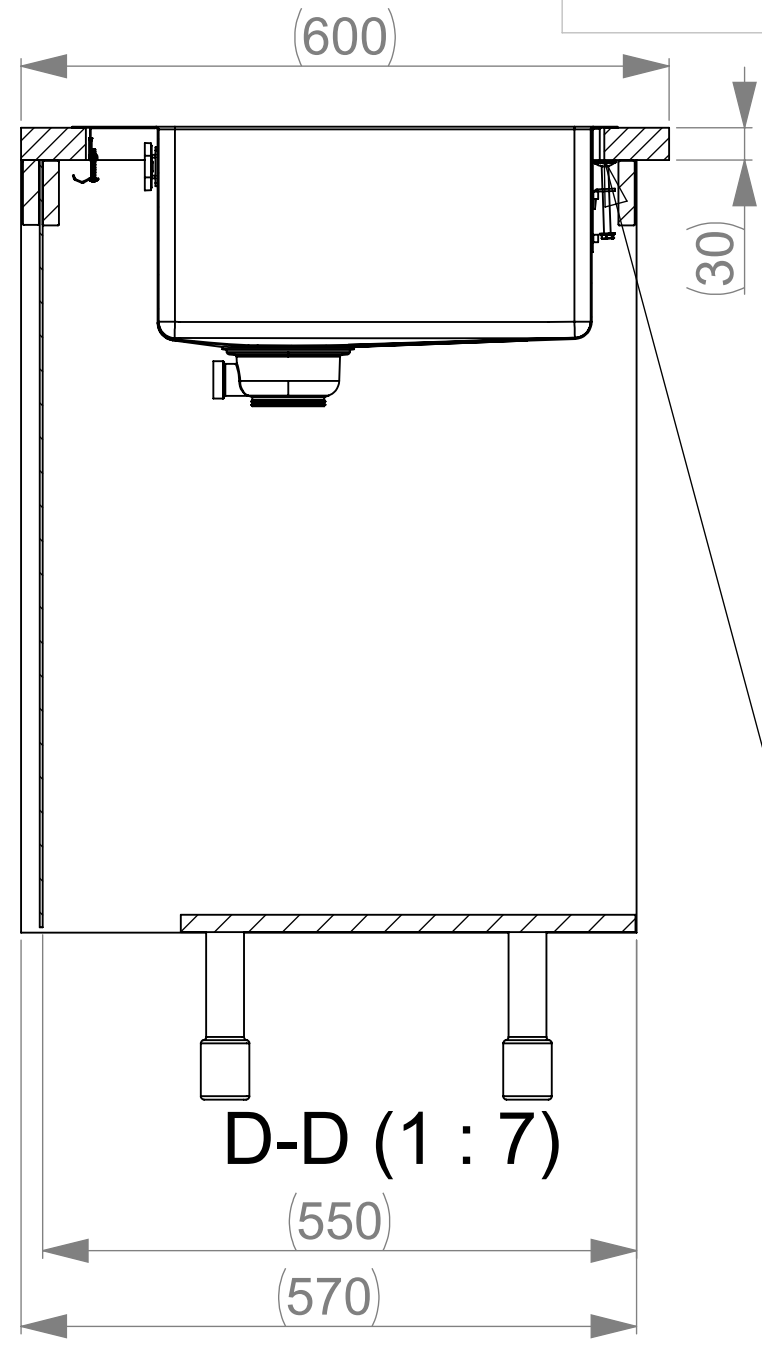


C-C (1 : 7)

D

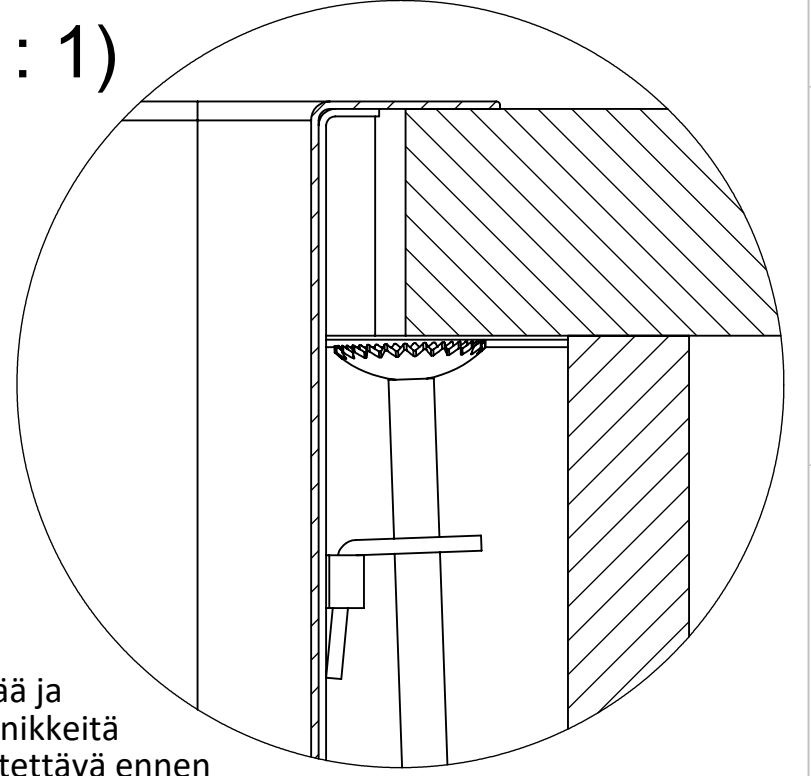


D



D-D (1 : 7)

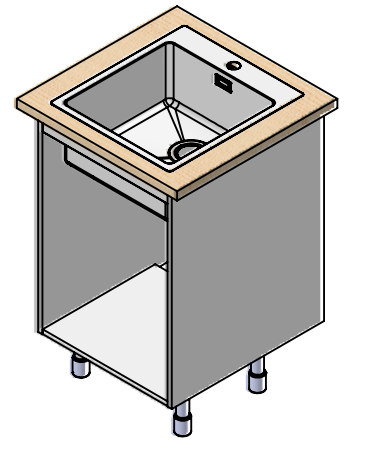
E (1 : 1)




Change description
Type of fixing clips changed, cut-out measurements changed

Date
28.10.2021
Designed by
VS

Huom!
Tarvittaessa kaapin väliseinää ja etu/takalistaa lovettava kiinnikkeitä varten ja pesuallas on kiinnitettävä ennen työtason asennusta.
Obs!
Vid behov måste en inskärning för hofästena göras i skåpets mellanvägg och förbindningslist och diskbänken måste fästas innan du monterar bänkskivan.
Notice!
The partition walls and front/back list of the cupboard must be notched for the sink mountings when needed and the sink must be fastened before installing the worktop.



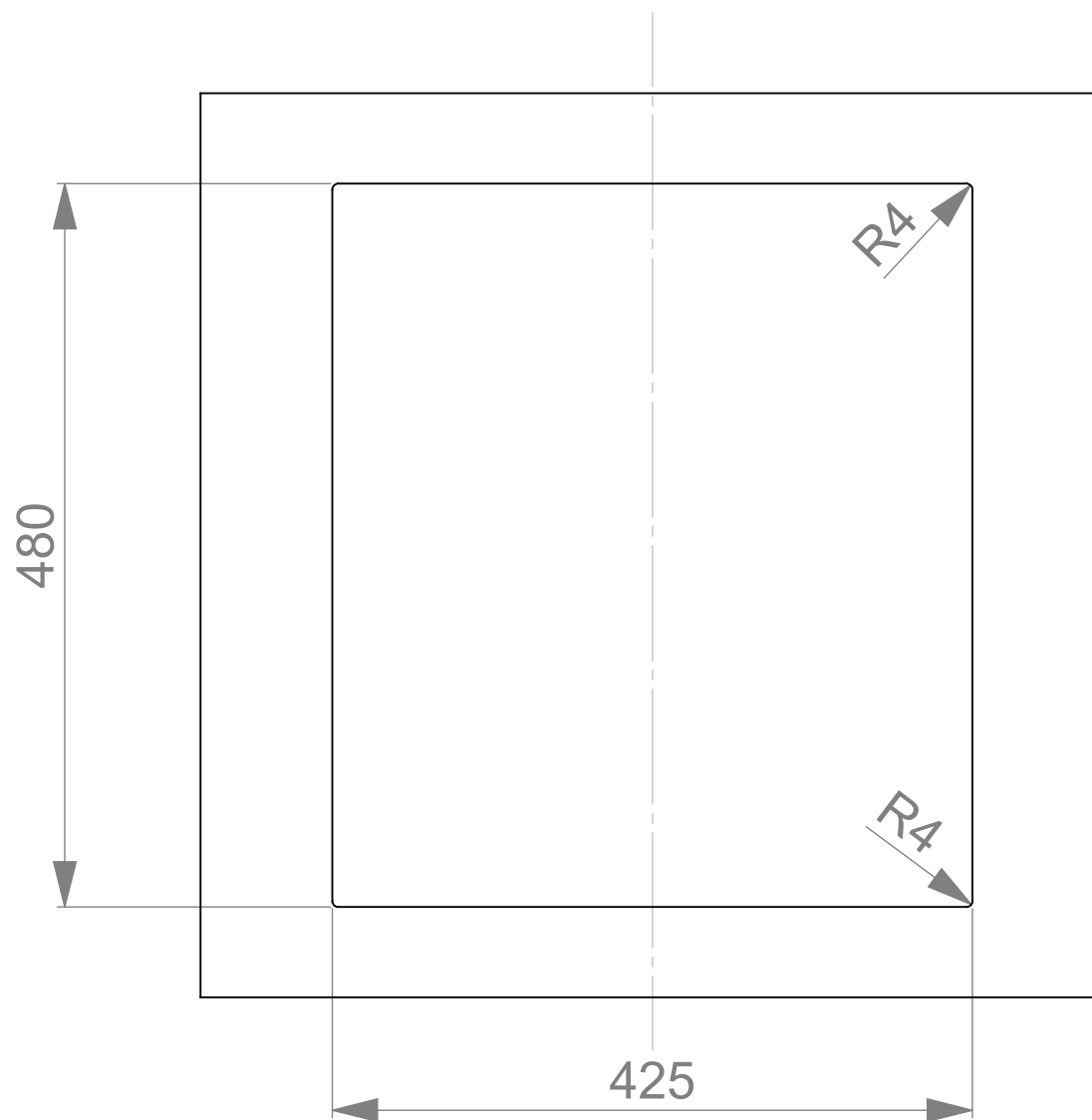
 Member of ALVEUS	Mass	kg	General tolerance	Designed by	Date
	Size	Scale		Item	VS
	A3	1:10	Description	Approved by	Date
			LAGOM-T40		
			Technical Data Sheet	Drawing number	Sheet/sheets
				18179	3/6
					Rev
					C

CUT-OUT

Change description
Type of fixing clips changed, cut-out measurements changed

Date
28.10.2021

Designed by
VS



	Mass	kg	General tolerance	Designed by	Date
	Size	Scale	Item	VS	05.02.2019
 Member of ALVEUS	A3	1:5	Description	Approved by	Date
			LAGOM-T40	Drawing number	Sheet/sheets
			Technical Data Sheet	18179	4/6
				Rev	C

