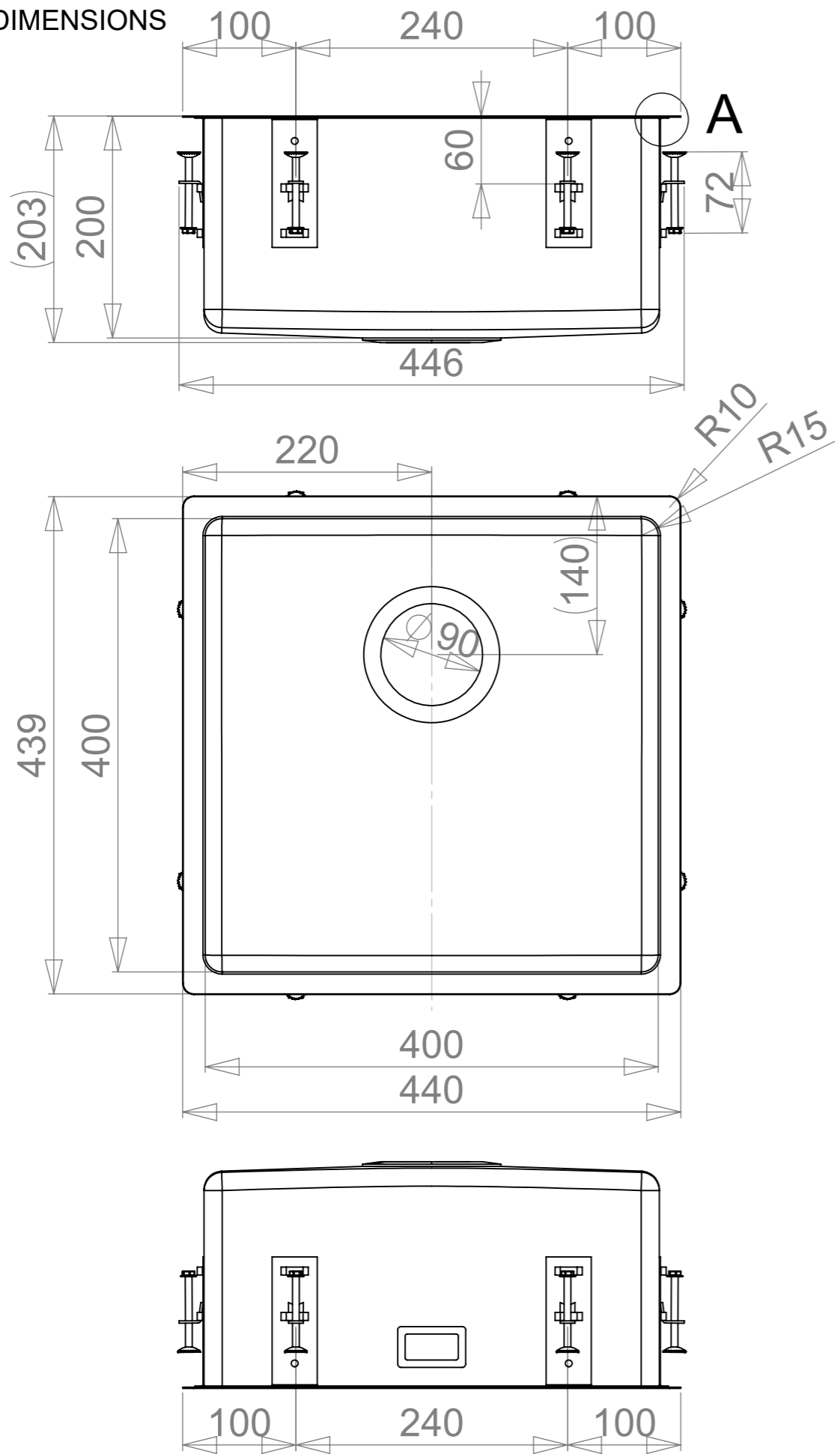


MAIN DIMENSIONS

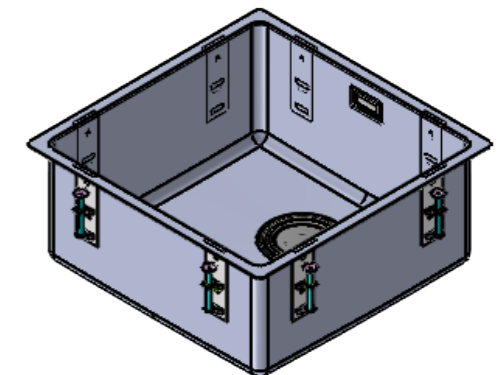
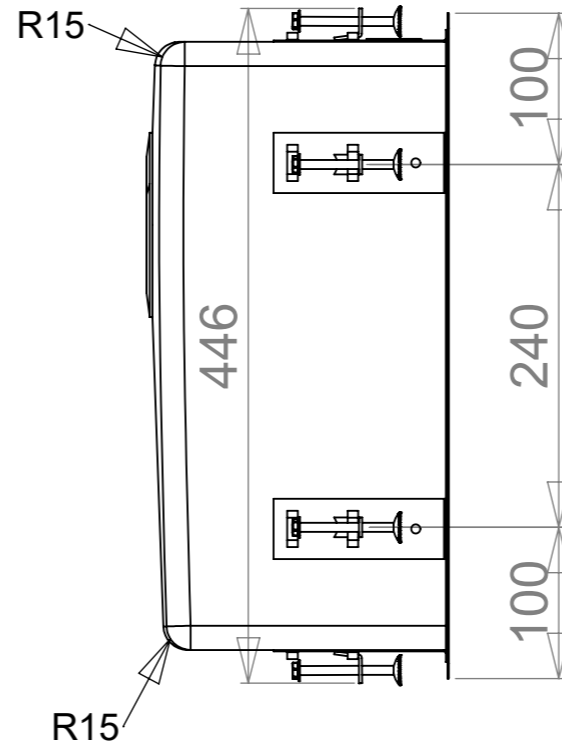
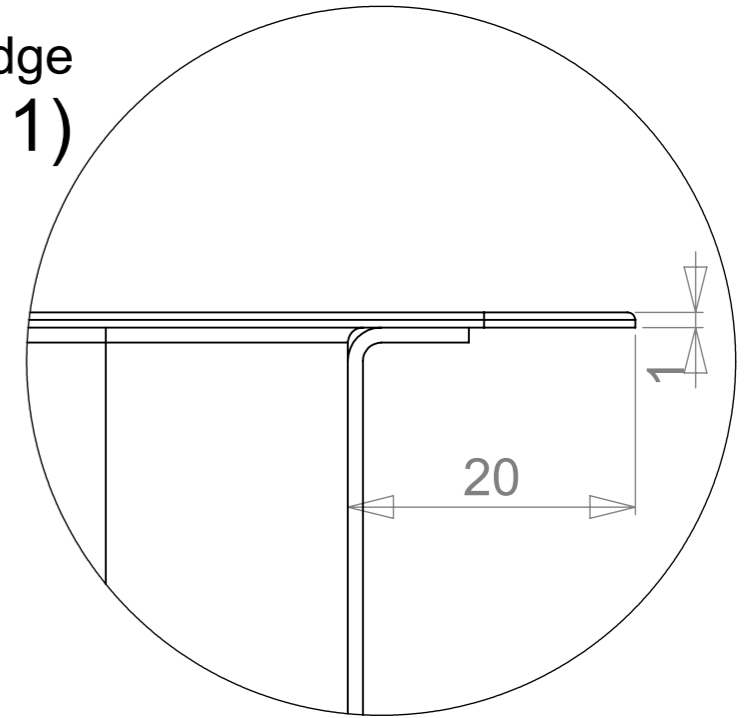


Change description

Date
17.09.2019

Designed by
VS

Mono edge
A (2 : 1)



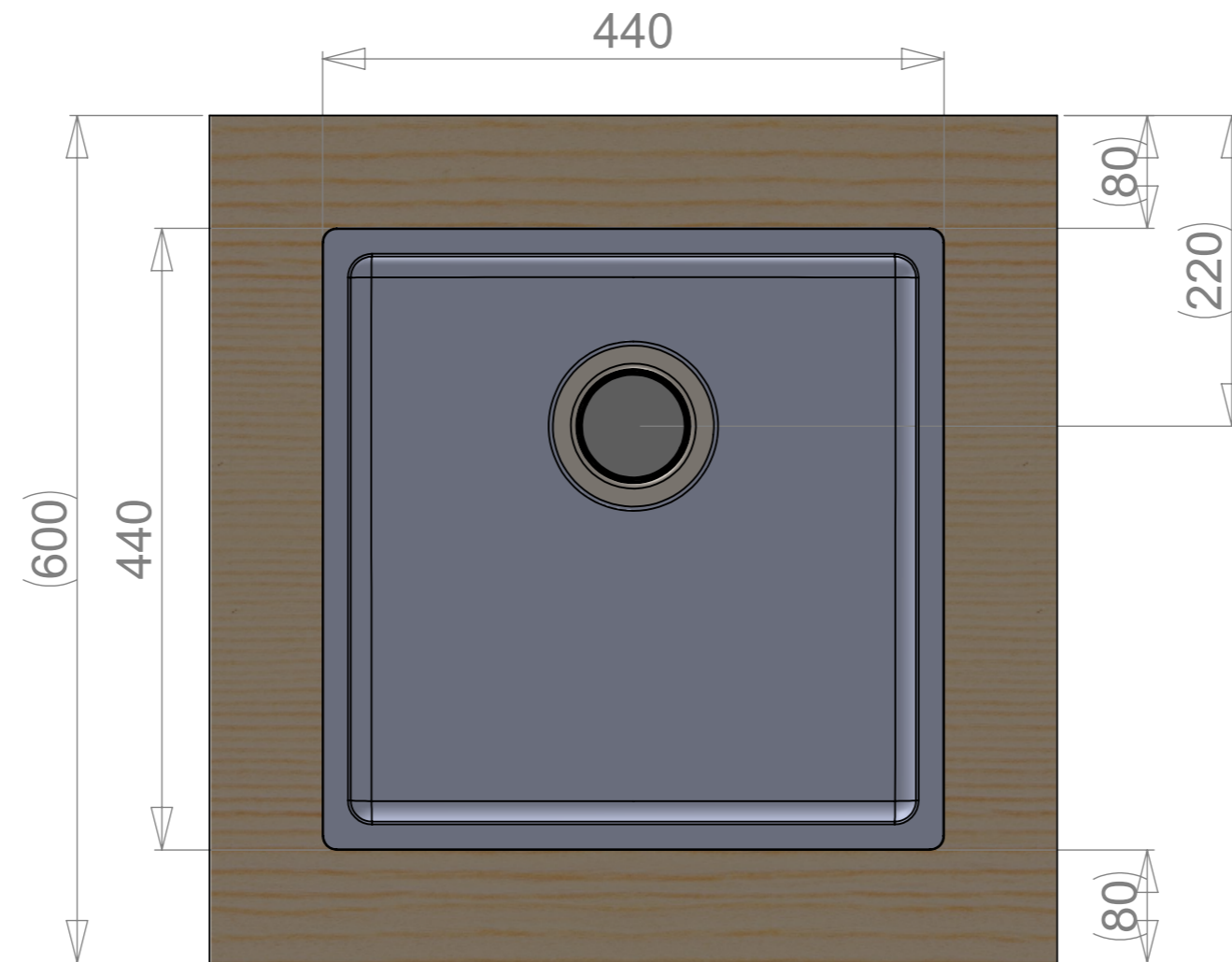
	Mass	kg	General tolerance	Designed by	Date
	Size	Scale	Item	VS	24.01.2019
 www.stala.com	A3	1:5	Description	Checked by	Date
	LAGOM-40			Drawing number	Sheet/sheets
	Technical Data Sheet			18157	1/6
				Rev	A

Change description

Date
17.09.2019

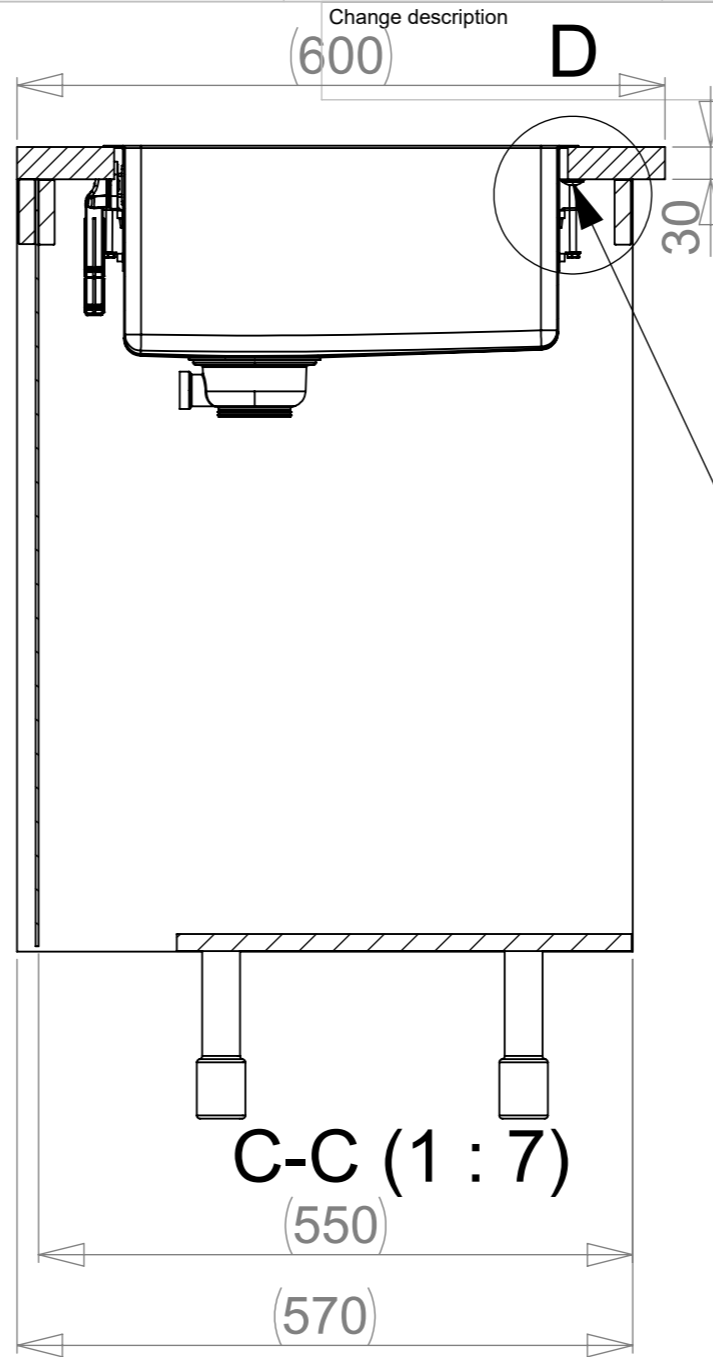
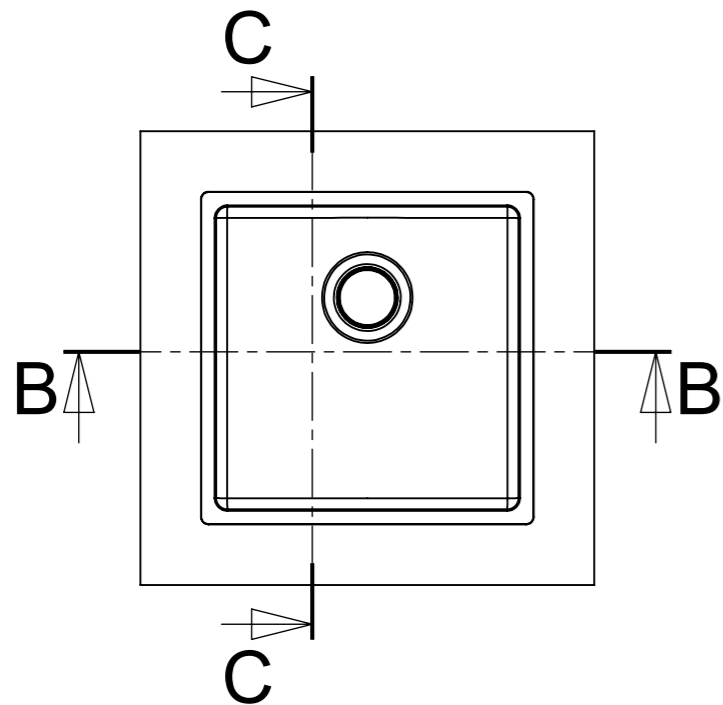
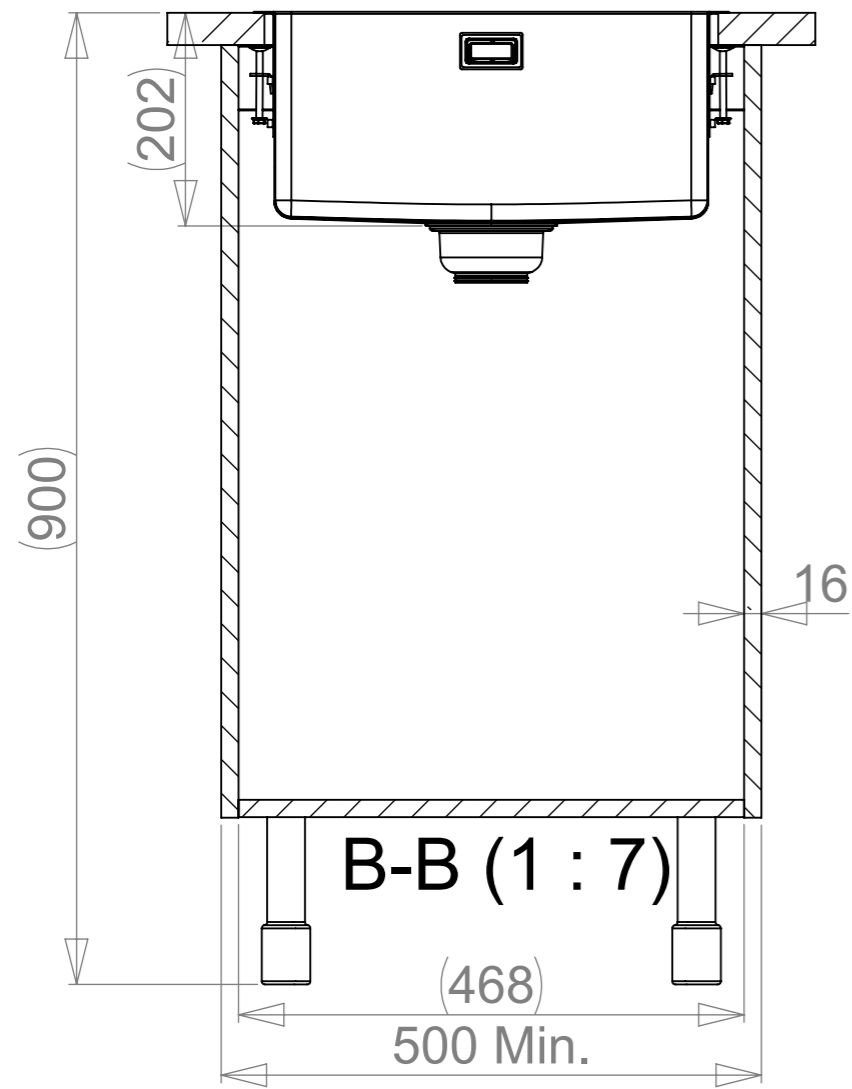
Designed by
VS

WORKTOP ASSEMBLY

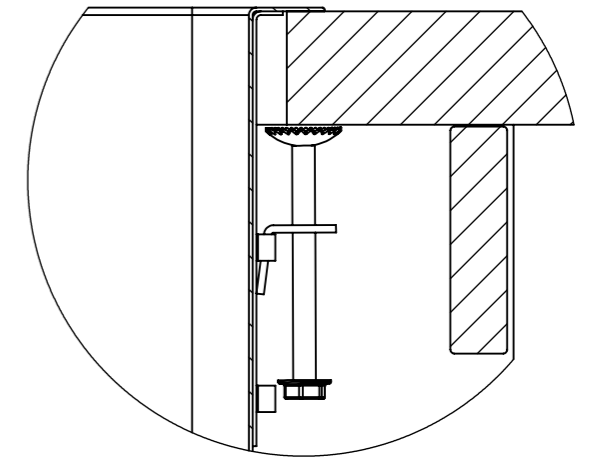


	Mass	General tolerance	Designed by	Date
	kg		VS	24.01.2019
	Size	Scale	Checked by	Date
	A3	1:5		
 www.stala.com	Description	Drawing number	Sheet/sheets	
	LAGOM-40 Technical Data Sheet	18157	2/6	
			Rev	
			A	

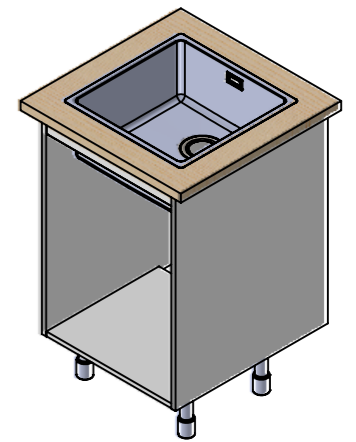
SPACE REQUIREMENTS



D (1 : 2)



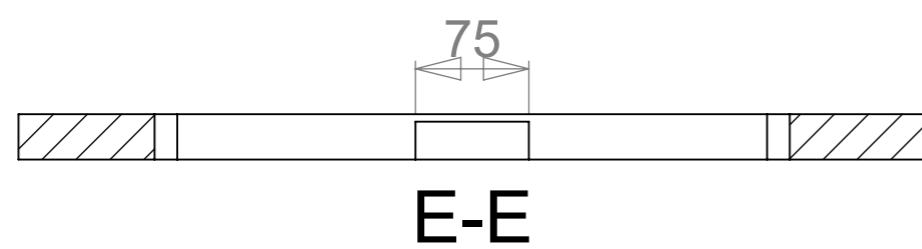
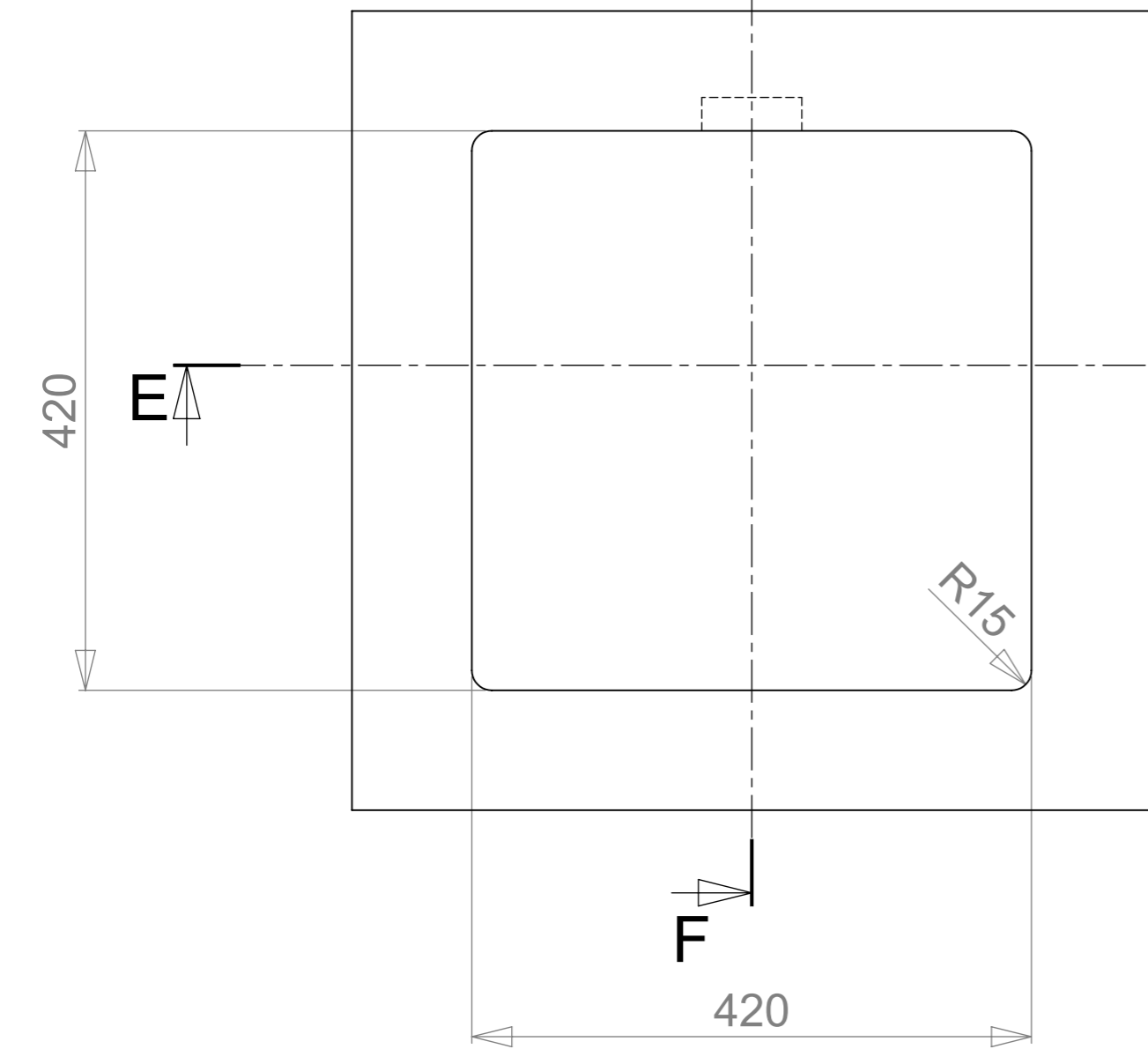
Huom!
 Tarvittaessa kaapin väliseinää ja etu/takalistaa lovetettava kiinnikkeitä varten ja pesuallas on kiinnitettävä ennen työtason asennusta.
Obs!
 Vid behov måste en inskärning för hofästena göras i skåpets mellanvägg och förbindningslist och diskbänken måste fästas innan du monterar bänkskivan.
Notice!
 The partition walls and front/back list of the cupboard must be notched for the sink mountings when needed and the sink must be fastened before installing the worktop.



	Mass	General tolerance	Designed by	Date
	kg		VS	24.01.2019
 www.stala.com	Size	Item	Checked by	Date
	A3			
Description			Drawing number	Sheet/sheets
LAGOM-40			18157	3/6
Technical Data Sheet			Rev	A

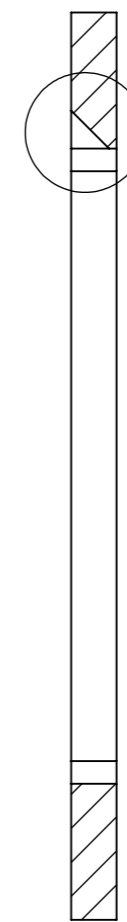
Change description
 Date 17.09.2019
 Designed by VS

CUT-OUT

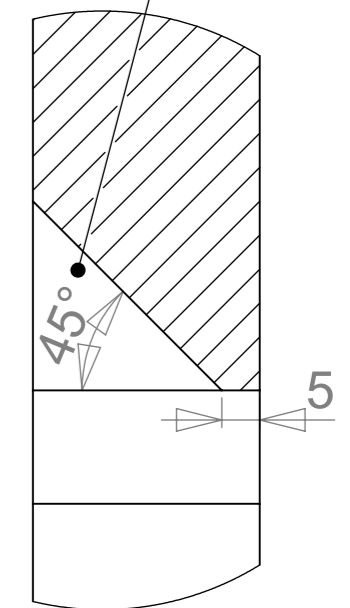


Change description					Date 17.09.2019		Designed by VS
--------------------	--	--	--	--	--------------------	--	-------------------

Cut-out for overflow

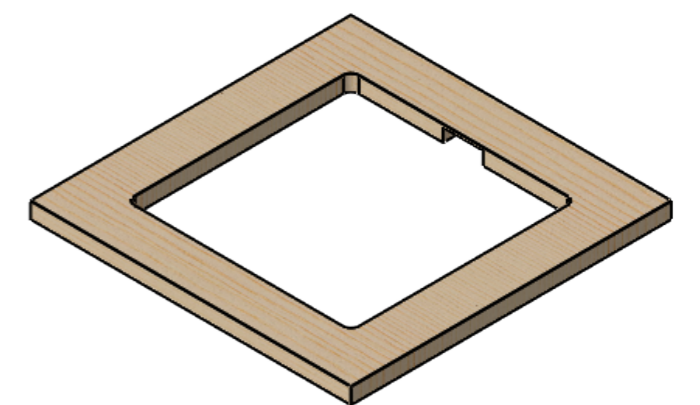


G



G (1 : 1)

F-F



 www.stala.com	Mass	kg	General tolerance	Designed by	Date
	Size	Scale	Item	VS	24.01.2019
LAGOM-40 Technical Data Sheet	A3	1:5	Description	Checked by	Date
			18157	Drawing number	Sheet/sheets
			A	Rev	4/6

