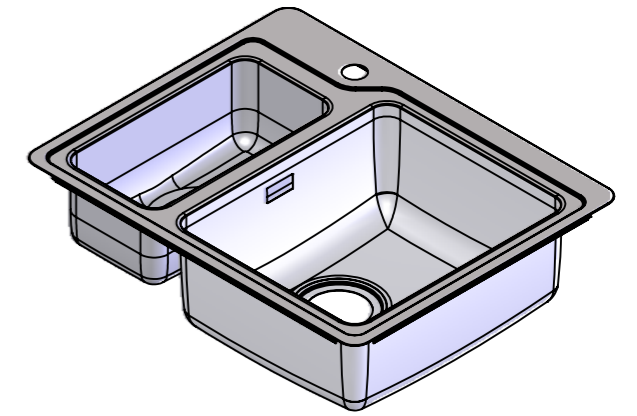
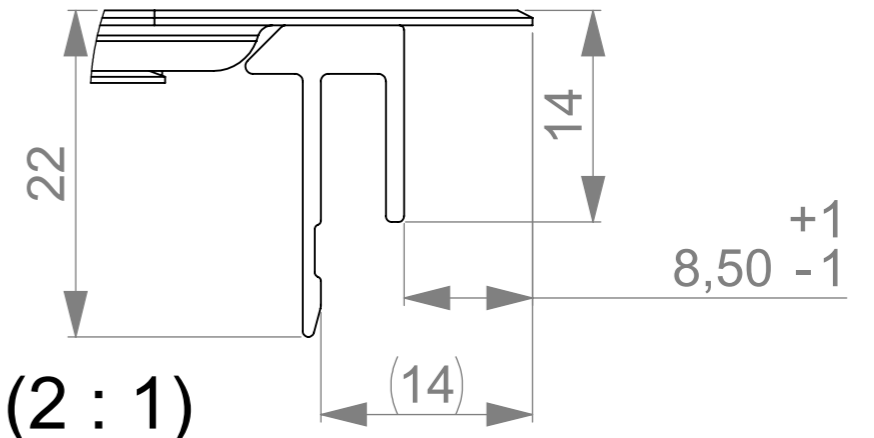
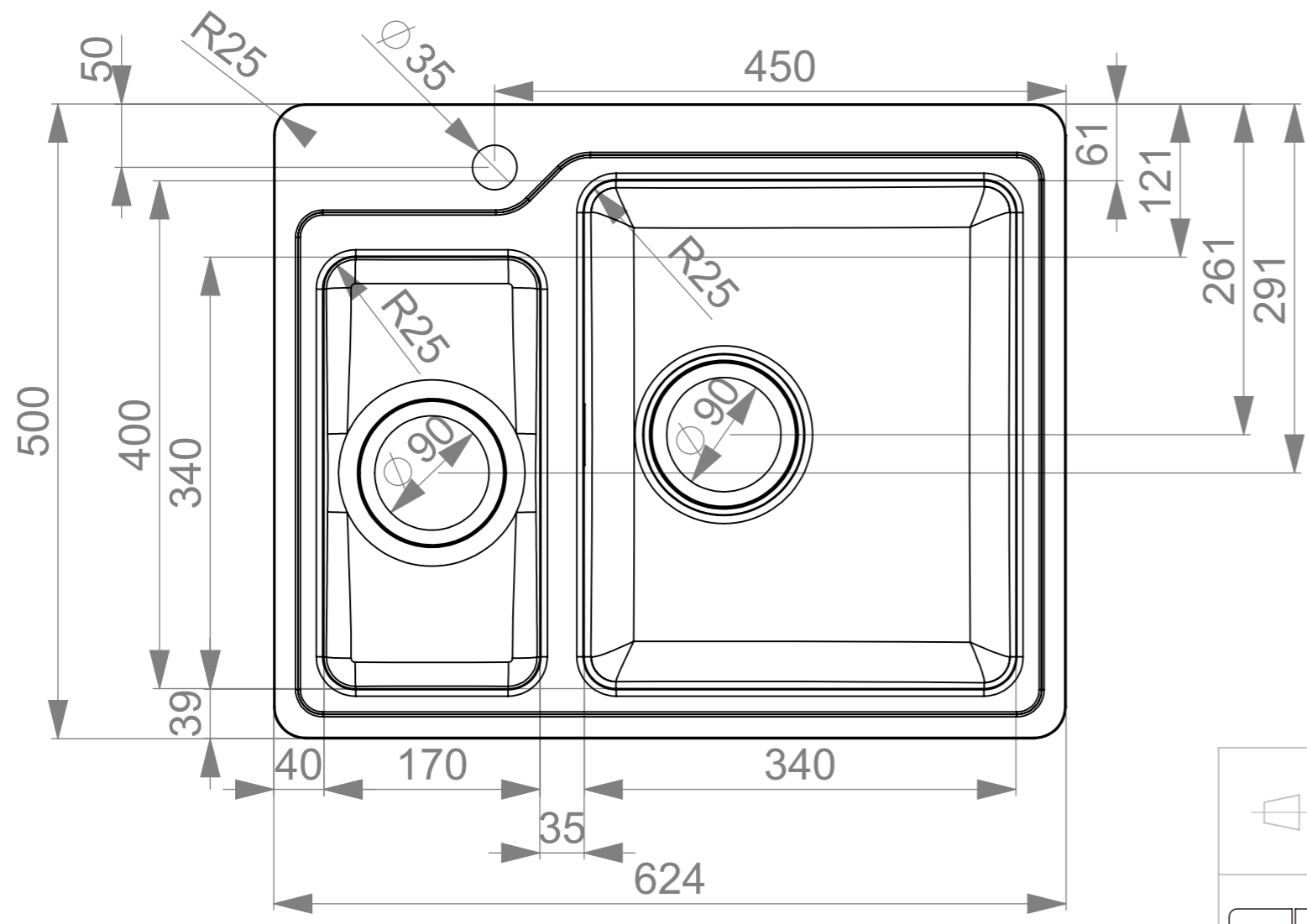
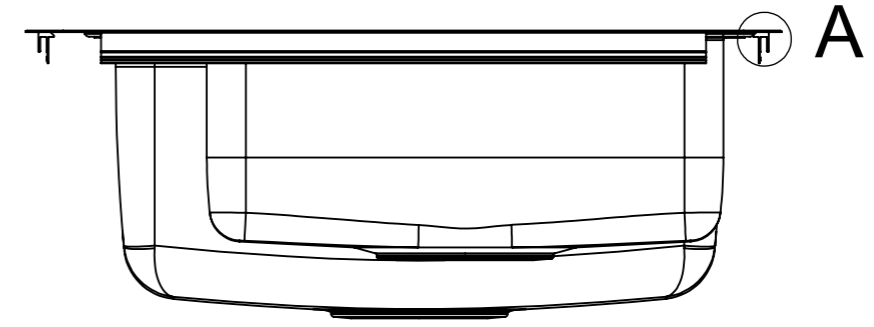
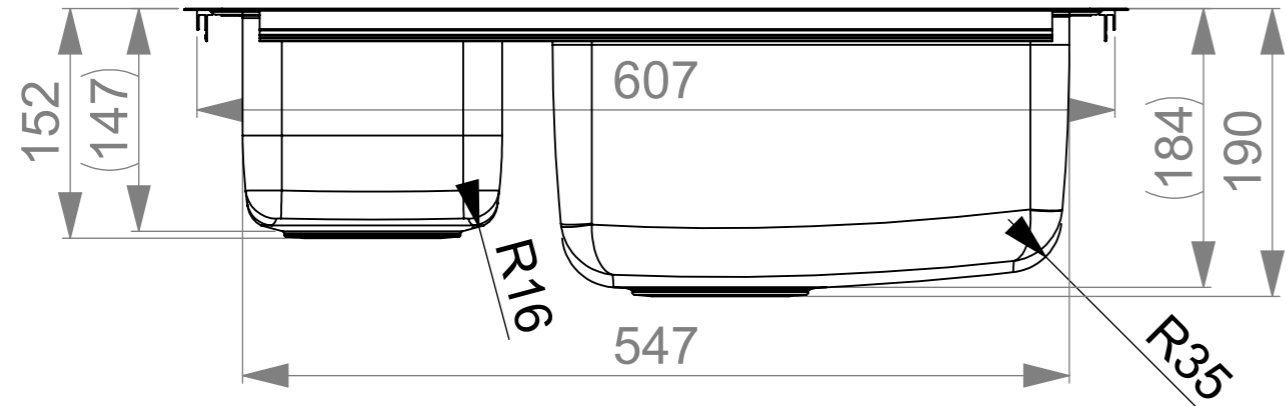


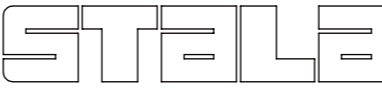
MAIN DIMENSIONS

Change description
Siphon updated

Date
12.06.2020

Designed by
VS



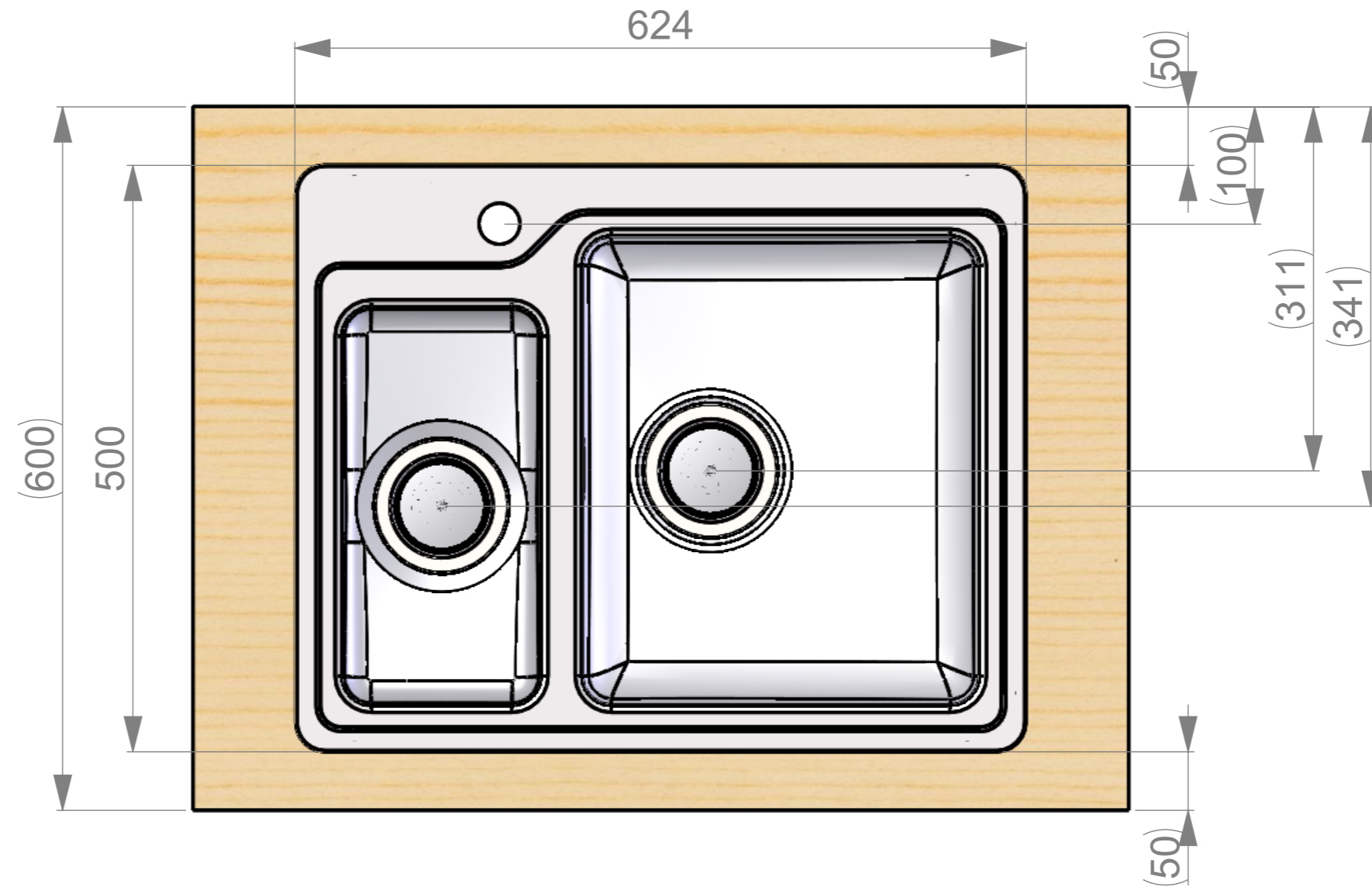
 www.stala.com	Mass 27.40 kg	General tolerance ISO-2768-m	Designed by JP	Date 27.12.2012
	Size A3	Scale 1:5	Item	Approved by
Description N4017-63R Technical Data Sheet			Drawing number 14137	Sheet/sheets 1/6 Rev D

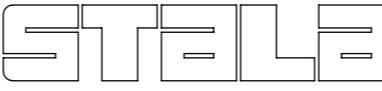
Change description
Siphon updated

Date
12.06.2020

Designed by
VS

WORKTOP ASSEMBLY

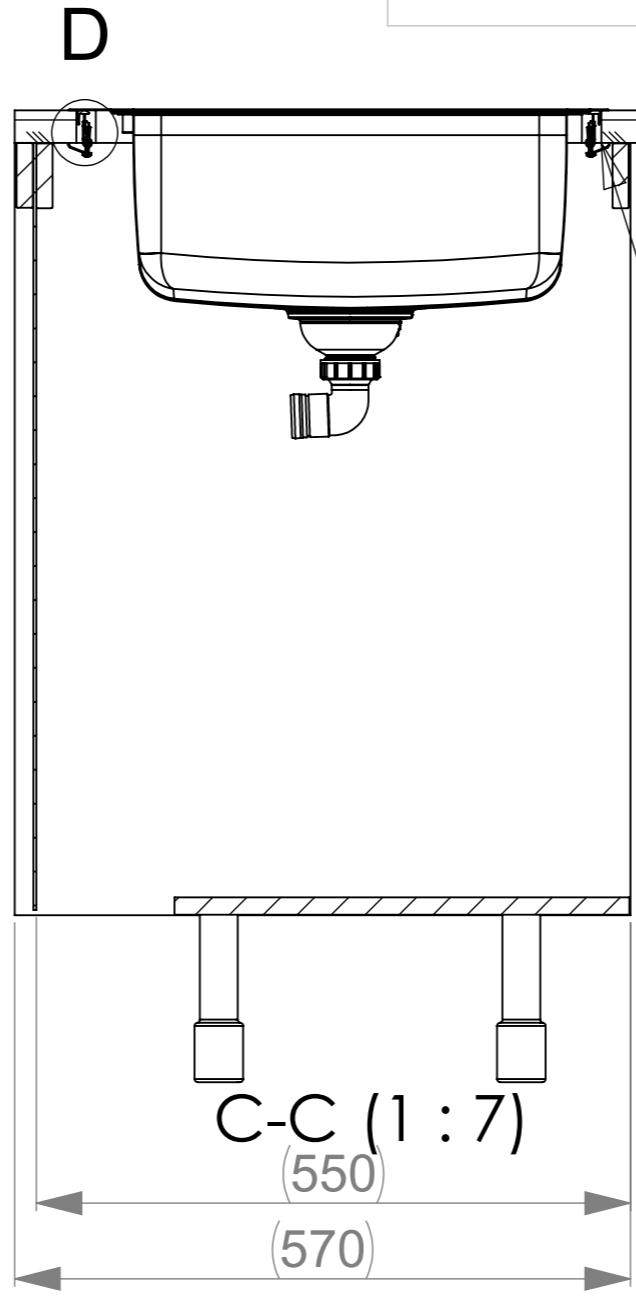
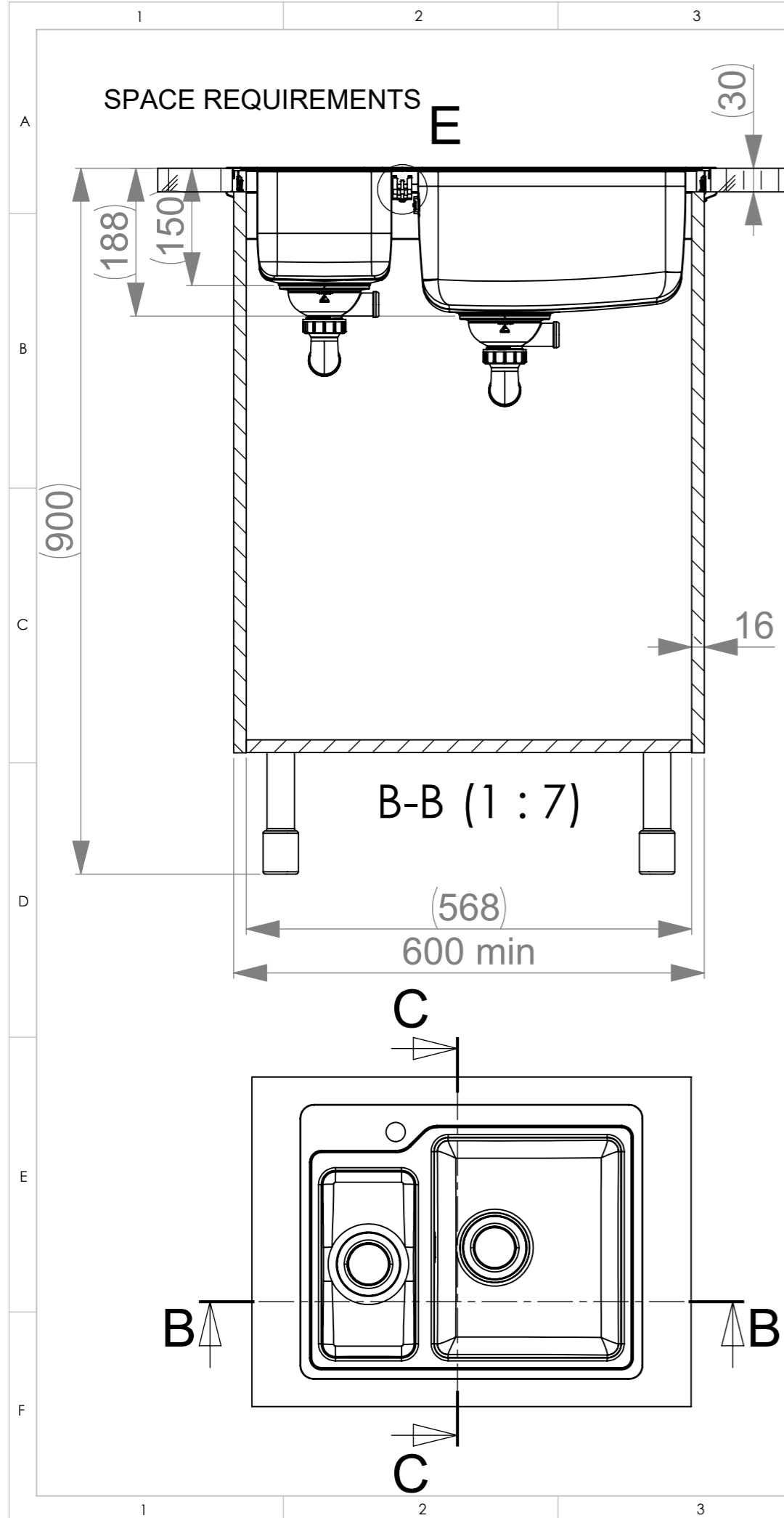


	Mass 27.40 kg	General tolerance ISO-2768-m	Designed by JP	Date 27.12.2012
	Size A3	Scale 1:5	Item	Date
 www.stala.com	Description N4017-63R		Drawing number 14137	Sheet/sheets 2/6
	Technical Data Sheet			Rev D

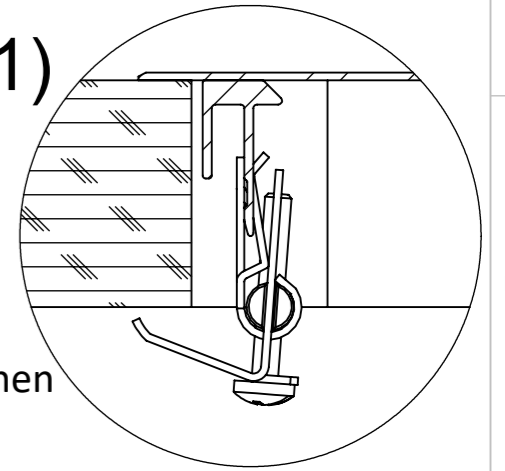
Change description
Siphon updated

Date
12.06.2020
Designed by
VS

SPACE REQUIREMENTS



D (1 : 1)

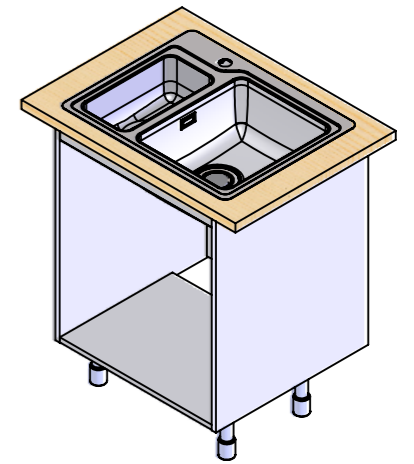
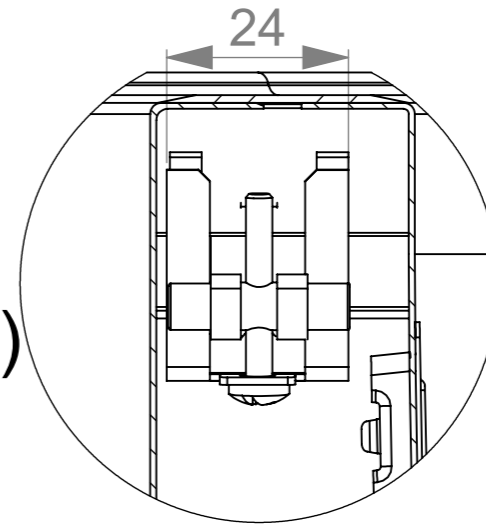


Huom!
Tarvittaessa kaapin väliseinää ja etu/takalistaa lovetettava kiinnikkeitä varten ja pesuallas on kiinnitettävä ennen työtason asennusta.

Obs!
Vid behov måste en inskärning för hofästena göras i skåpets mellanvägg och förbindningslist och diskbänken måste fästas innan du monterar bänkskivan.

Notice!
The partition walls and front/back list of the cupboard must be notched for the sink mountings when needed and the sink must be fastened before installing the worktop.

E (1 : 1)



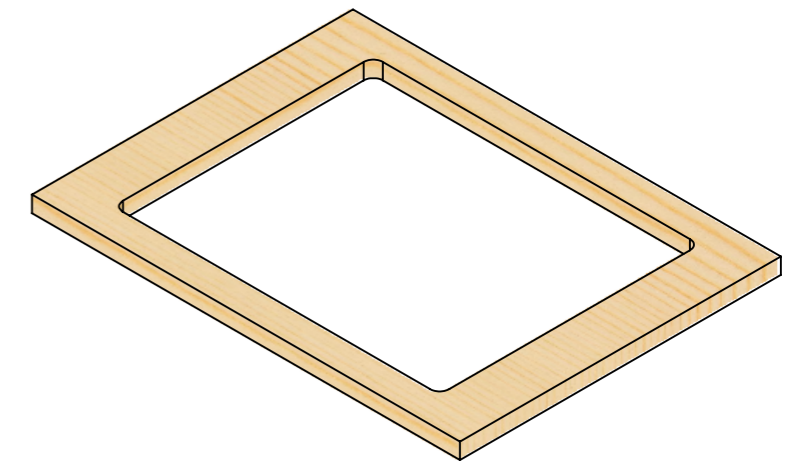
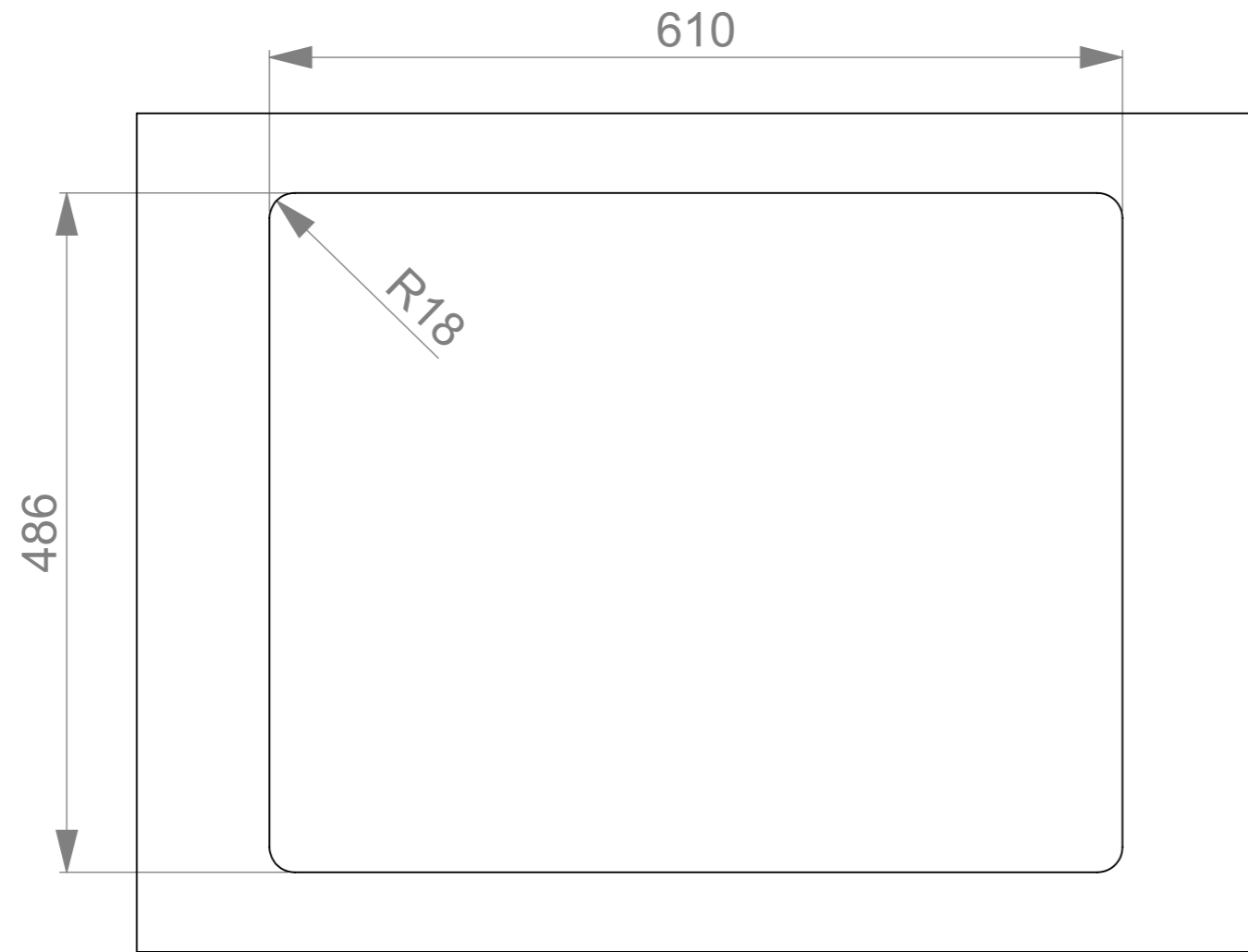
	Mass 27.40 kg	General tolerance ISO-2768-m	Designed by JP	Date 27.12.2012
	Size A3		Scale 1:10	Approved by
 www.stala.com	Description N4017-63R Technical Data Sheet		Drawing number 14137	Sheet/sheets 3/6 Rev D

Change description
Siphon updated

Date
12.06.2020

Designed by
VS

CUT OUT



Mass
27.40 kg
Size
A3
Scale
1:5

General tolerance
ISO-2768-m

Designed by
JP

Date
27.12.2012

Item

Approved by

Date



www.stala.com

Description
N4017-63R
Technical Data Sheet

Drawing number

14137

Sheet/sheets

4/6

Rev

D

