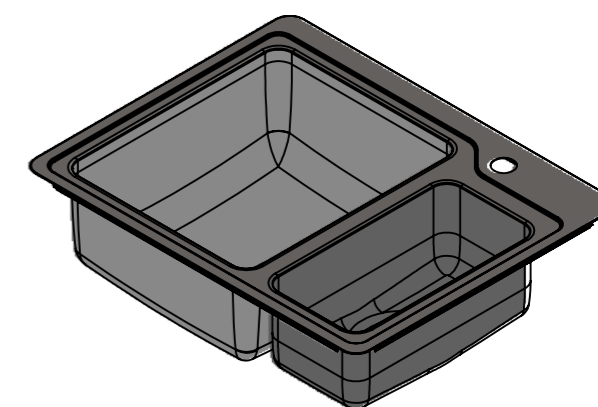
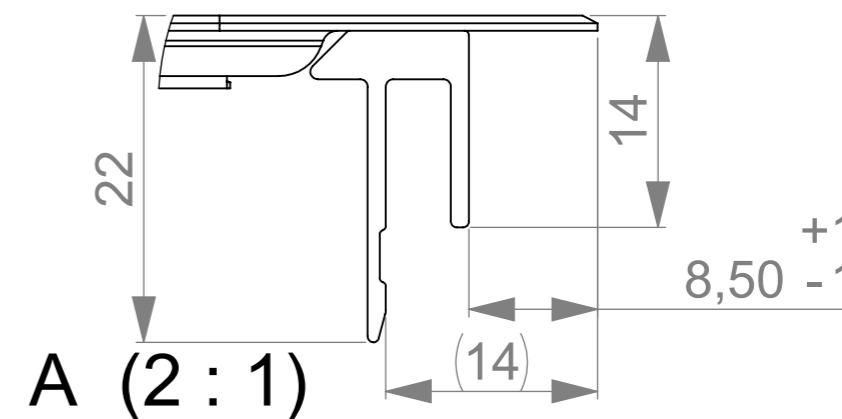
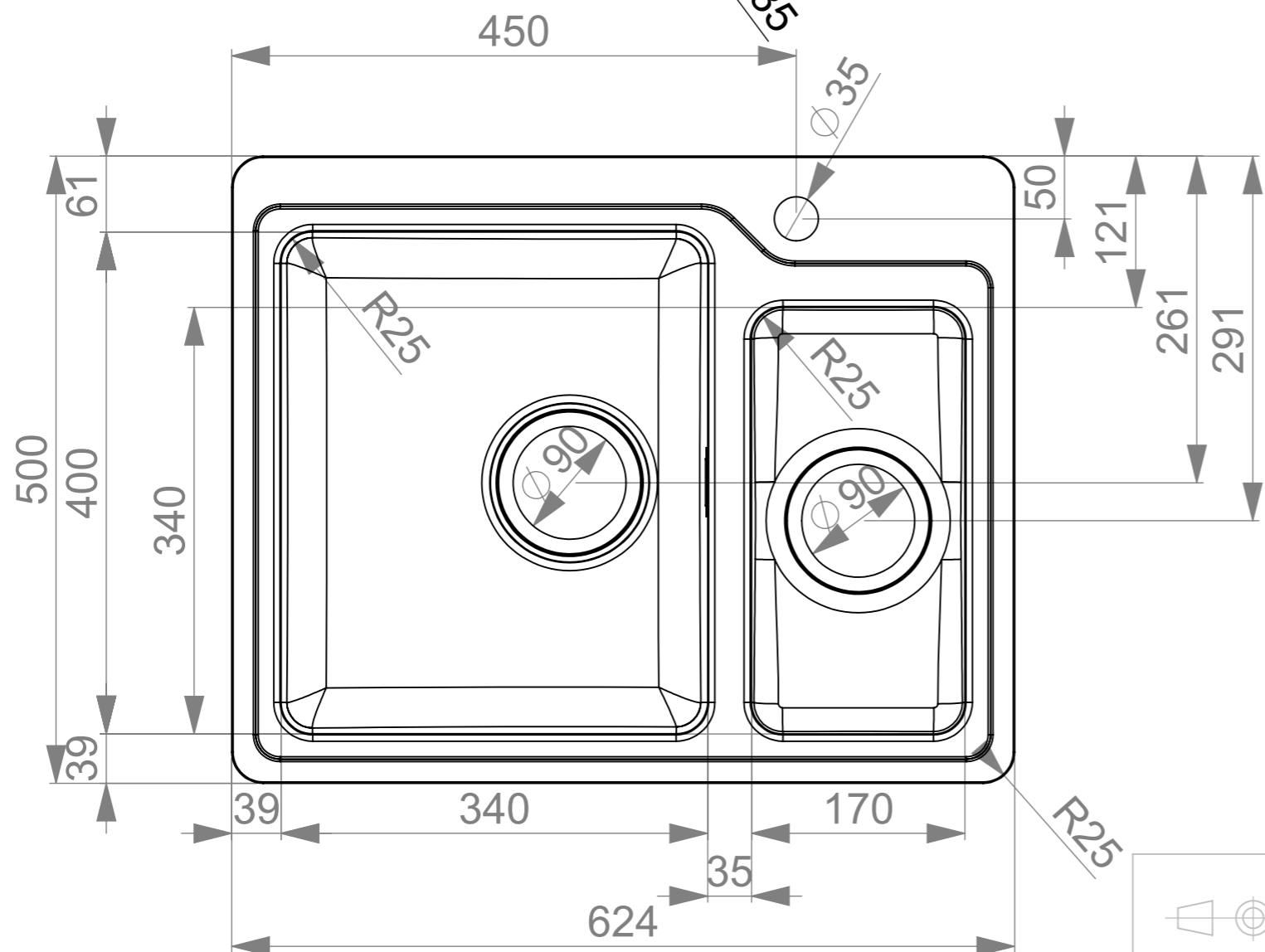
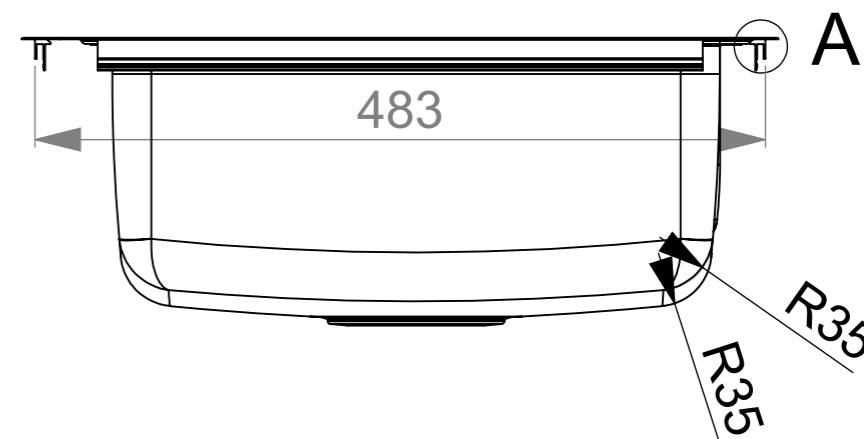
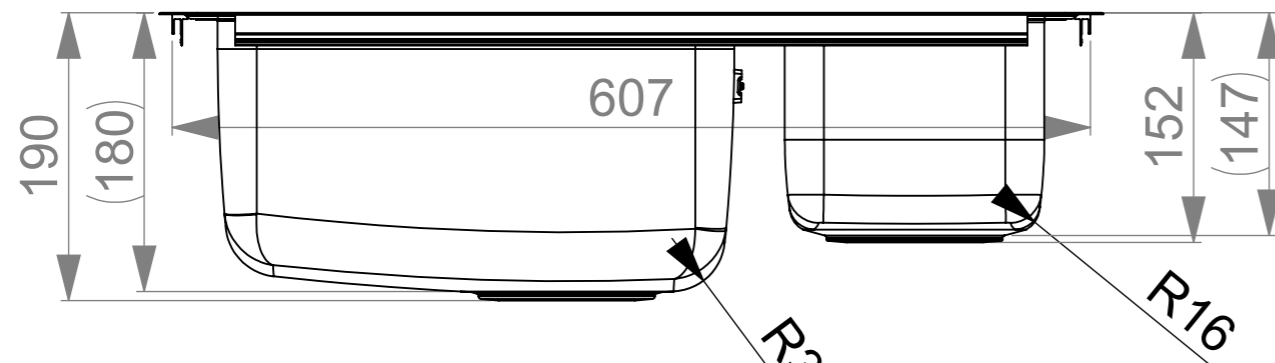


MAIN DIMENSIONS

Change description
Siphon updated

Date
12.06.2020

Designed by
VS



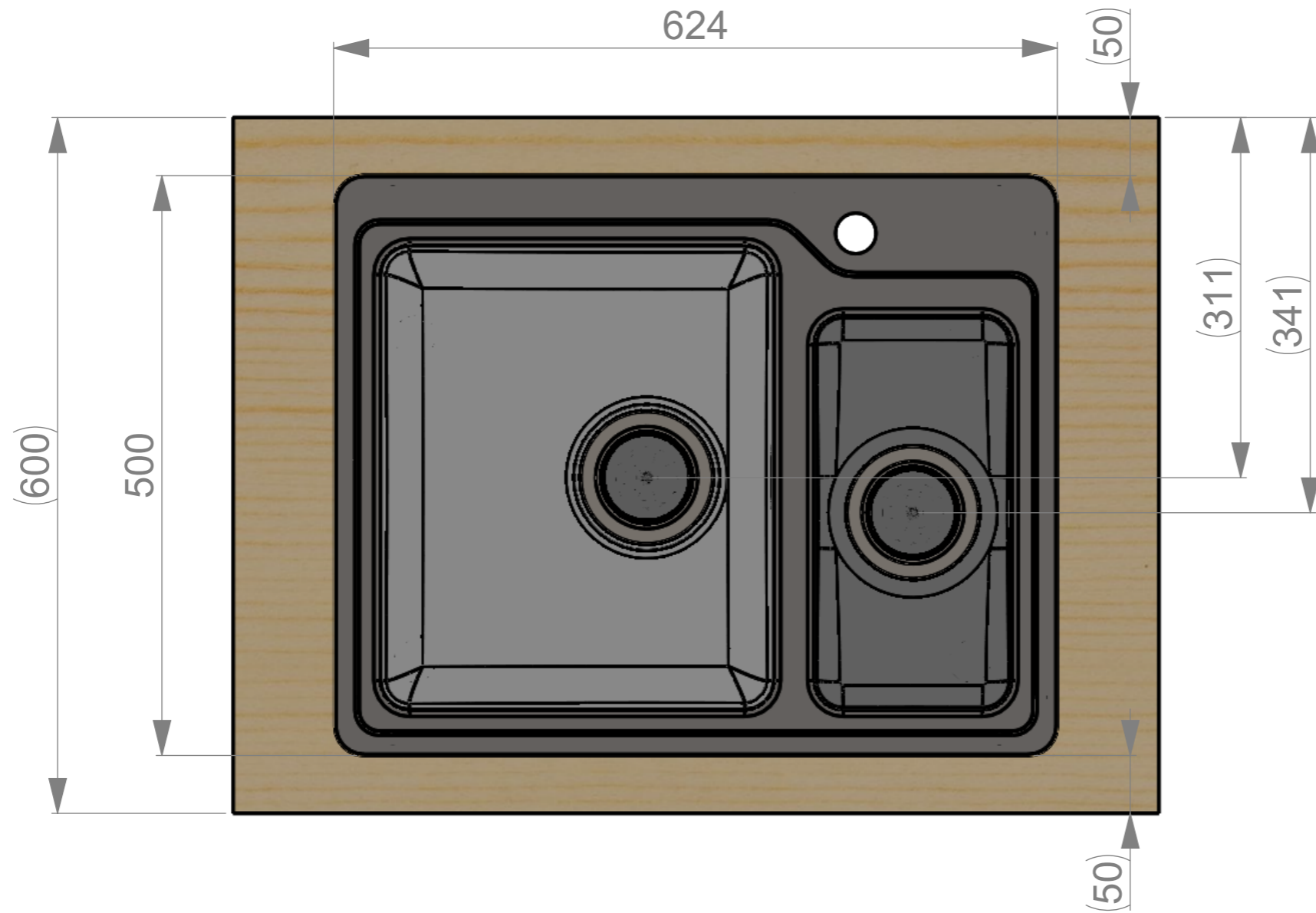
	Mass	27.38 kg	General tolerance	ISO-2768-m	Designed by	TN	Date	13.02.2013
	Size	A3	Scale	1:5	Approved by		Date	
 www.stala.com	Description			N4017-63L	Drawing number	14119	Sheet/sheets	1/6
	Technical Data Sheet				Rev	D		

Change description
Siphon updated

Date
12.06.2020

Designed by
VS

WORKTOP ASSEMBLY

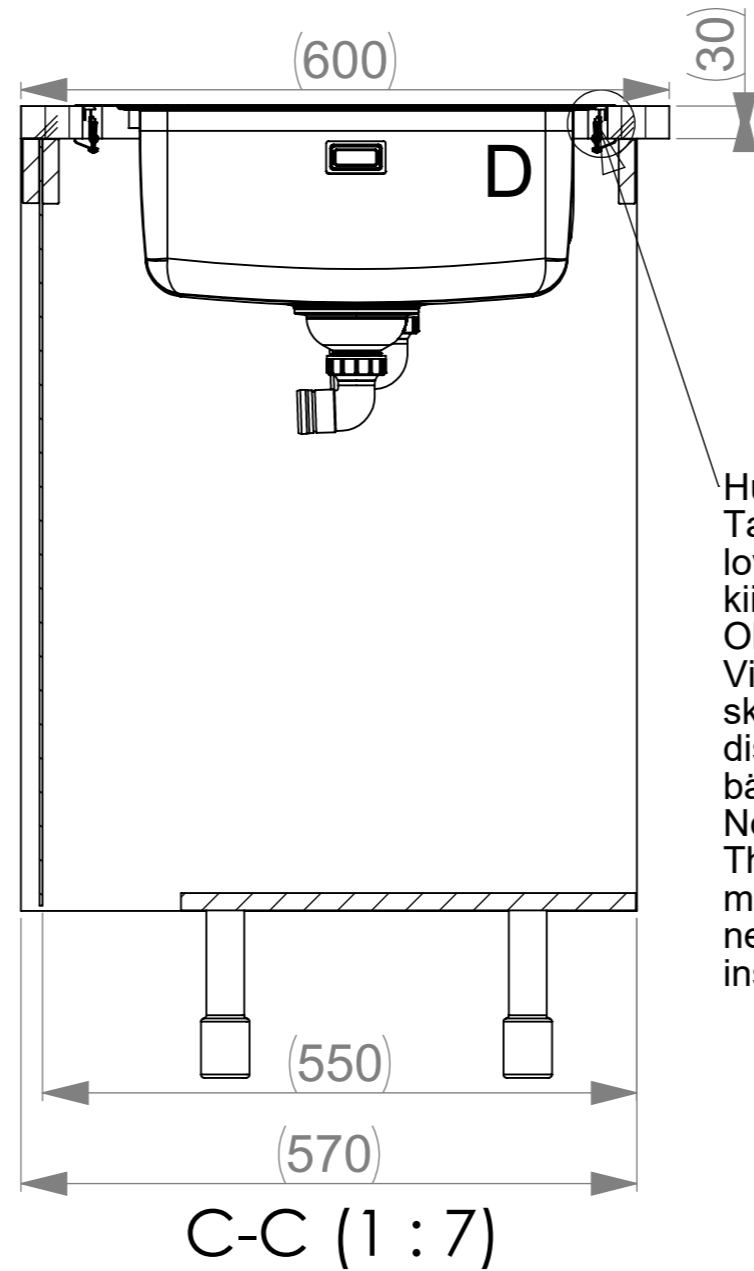
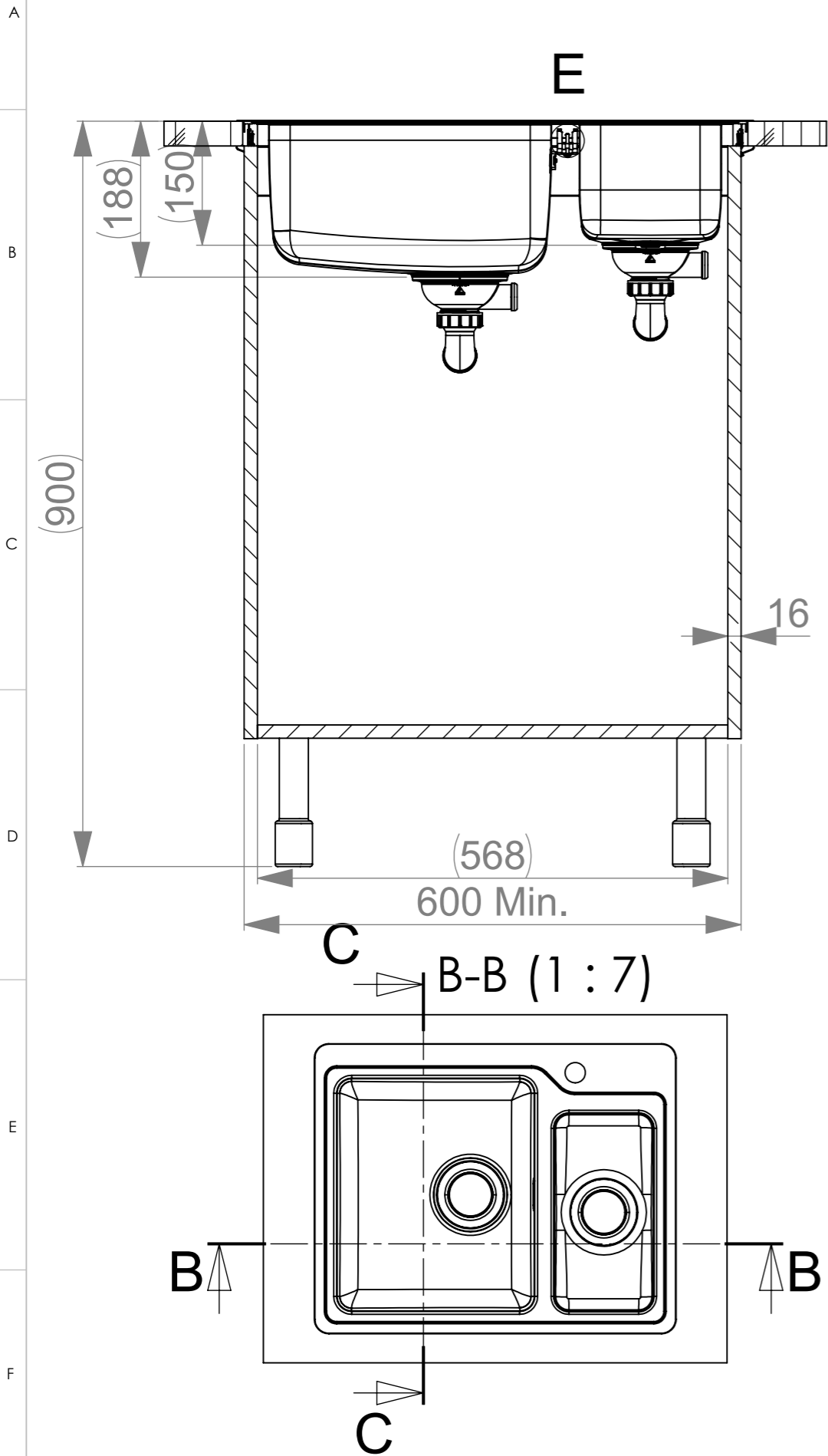


	Mass	27.38 kg	General tolerance	ISO-2768-m	Designed by	TN	Date	13.02.2013
	Size	A3	Scale	1:5	Item	Approved by	Date	
 www.stala.com	Description		N4017-63L		Drawing number		Sheet/sheets	
	Technical Data Sheet		14119		Rev		D	

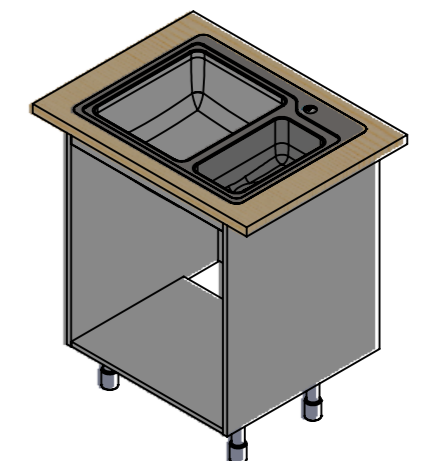
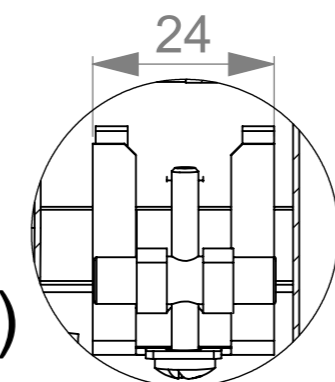
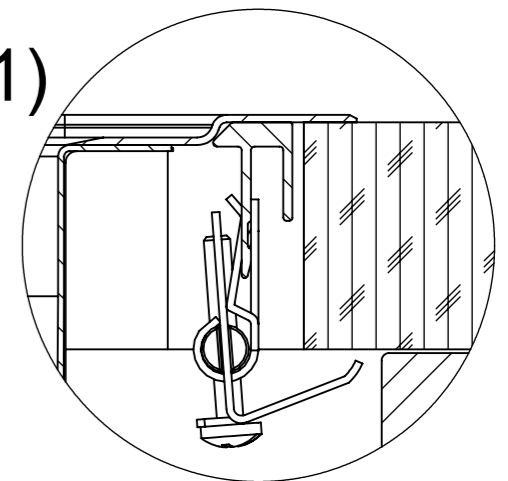
Change description
Siphon updated

Date
12.06.2020
Designed by
VS

SPACE REQUIREMENTS



Huom!
Tarvittaessa kaapin väliseinää ja etu/takalistaa lovetettava kiinnikkeitä varten ja pesuallas on kiinnitettävä ennen työtason asennusta.
Obs!
Vid behov måste en inskärning för hofästena göras i skåpets mellanvägg och förbindningslist och diskbänken måste fästas innan du monterar bänkskivan.
Notice!
The partition walls and front/back list of the cupboard must be notched for the sink mountings when needed and the sink must be fastened before installing the worktop.



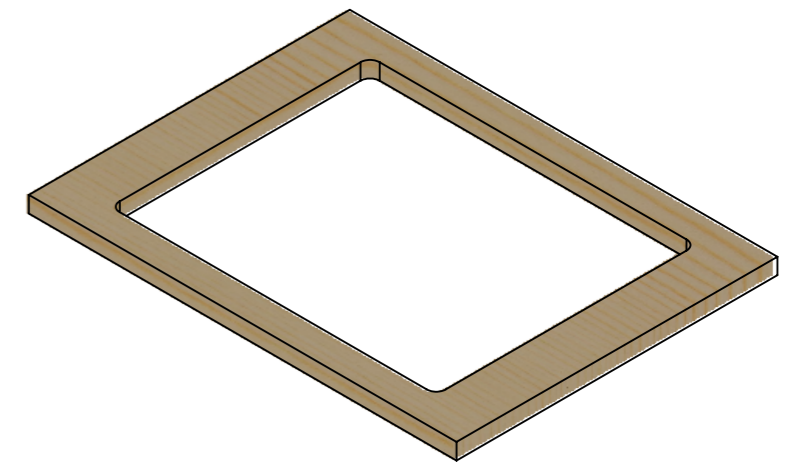
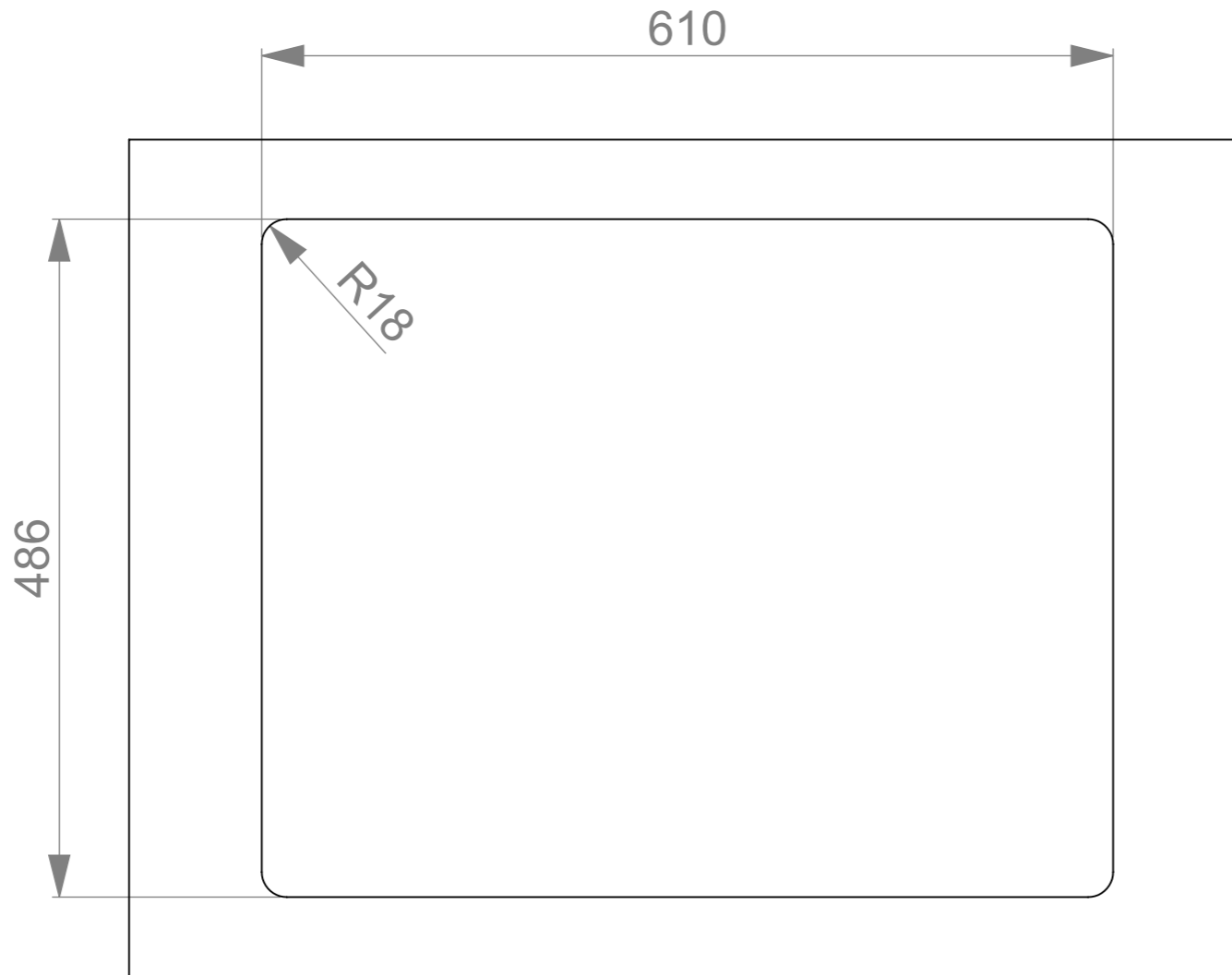
	Mass	27.38 kg	General tolerance	ISO-2768-m	Designed by	TN	Date	13.02.2013
	Size	A3	Scale	1:10	Approved by		Date	
	Description			N4017-63L	Drawing number	14119	Sheet/sheets	3/6
	www.stala.com			Technical Data Sheet			Rev	D

CUT-OUT

Change description
Siphon updated

Date
12.06.2020

Designed by
VS



	Mass	27.38 kg	General tolerance	ISO-2768-m	Designed by	TN	Date	13.02.2013
	Size	A3	Scale	1:5	Approved by		Date	
	Description		N4017-63L		Drawing number		Sheet/sheets	
	www.stala.com		Technical Data Sheet		14119		4/6	
						Rev		D

