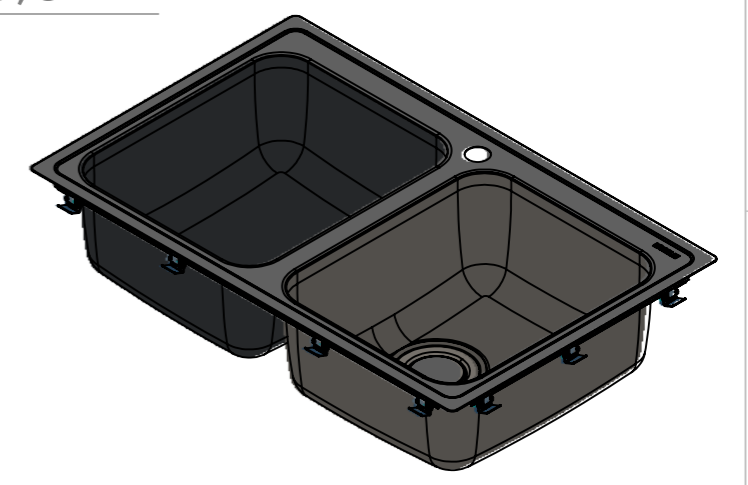
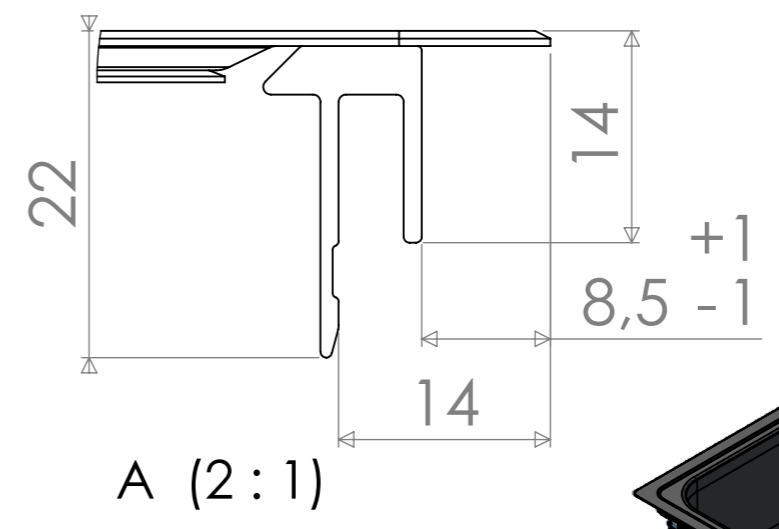
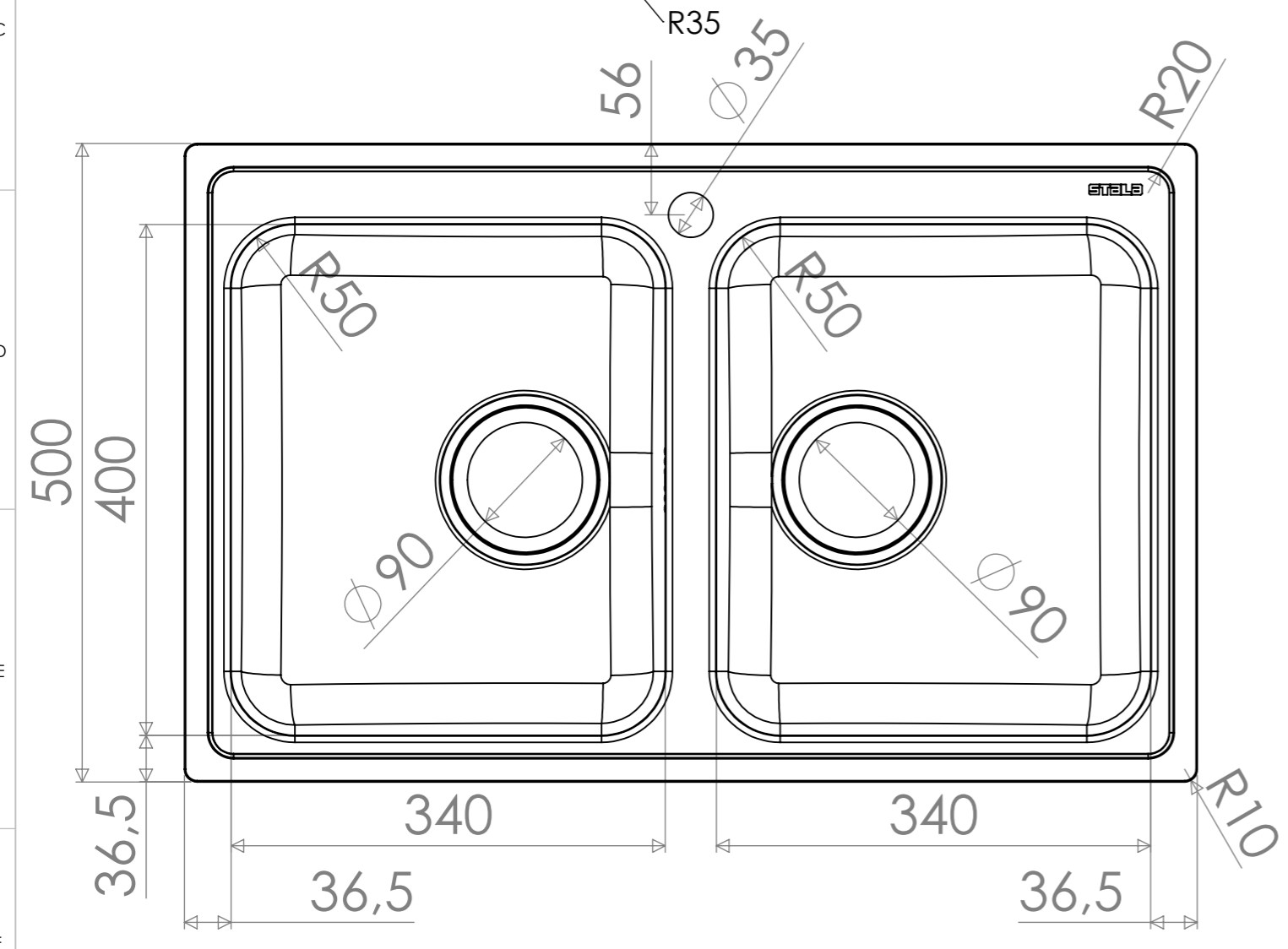
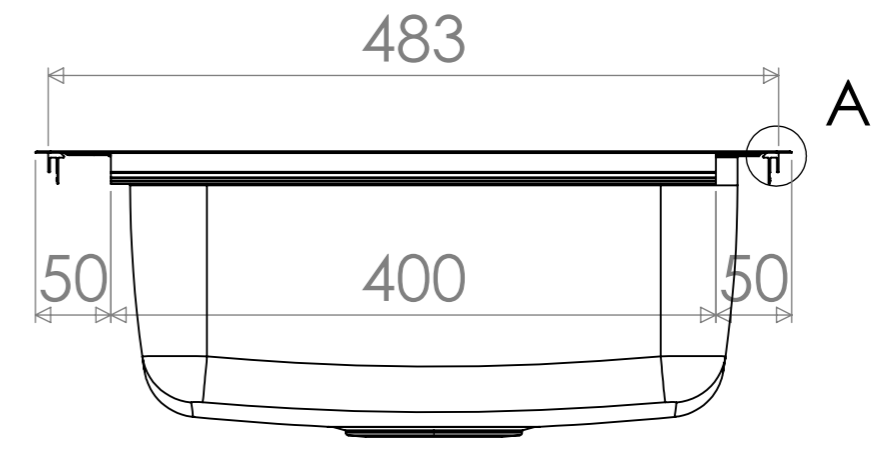
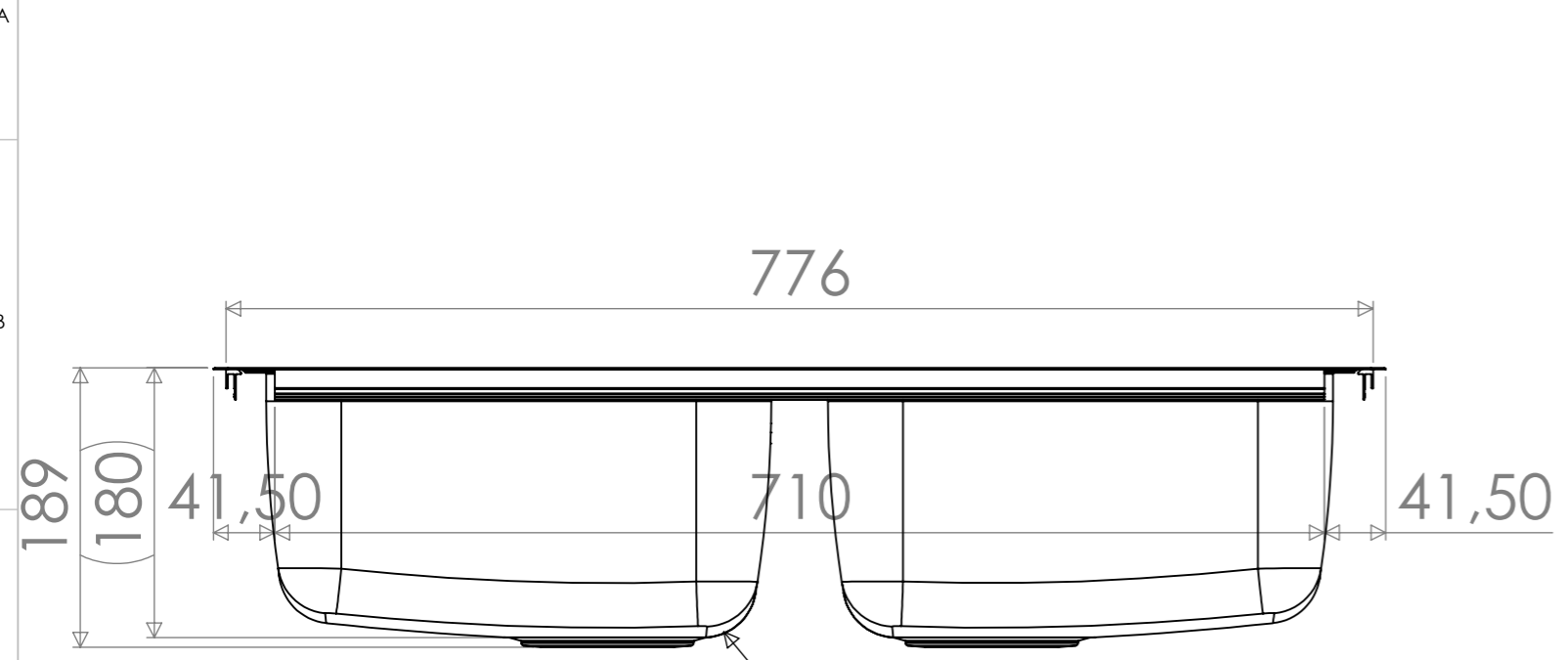
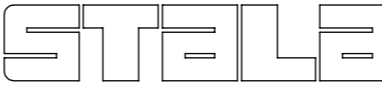


MAIN DIMENSIONS

Change description
Siphon updated

Date
04.06.2020
Designed by
VS



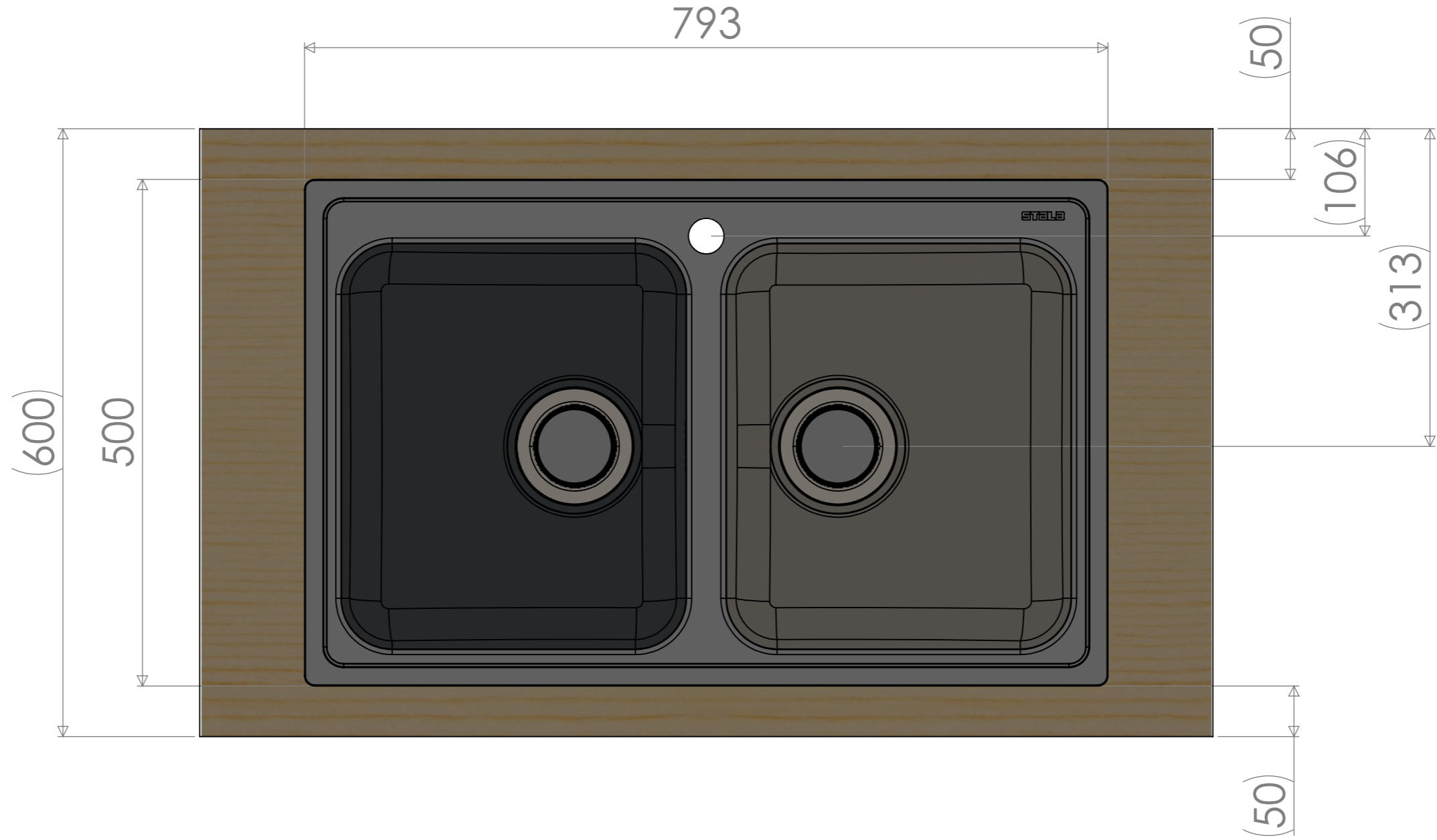
 www.stala.com	Mass 25.75 kg	General tolerance Item Description PA-40-40 Technical Data Sheet	Designed by JP	Date 06.11.2012
	Size A3		Scale 1:5	Approved by
			Drawing number 10665	Sheet/sheets 1/6
			Rev B	

WORKTOP ASSEMBLY VIEW

Change description
Siphon updated

Date
04.06.2020

Designed by
VS

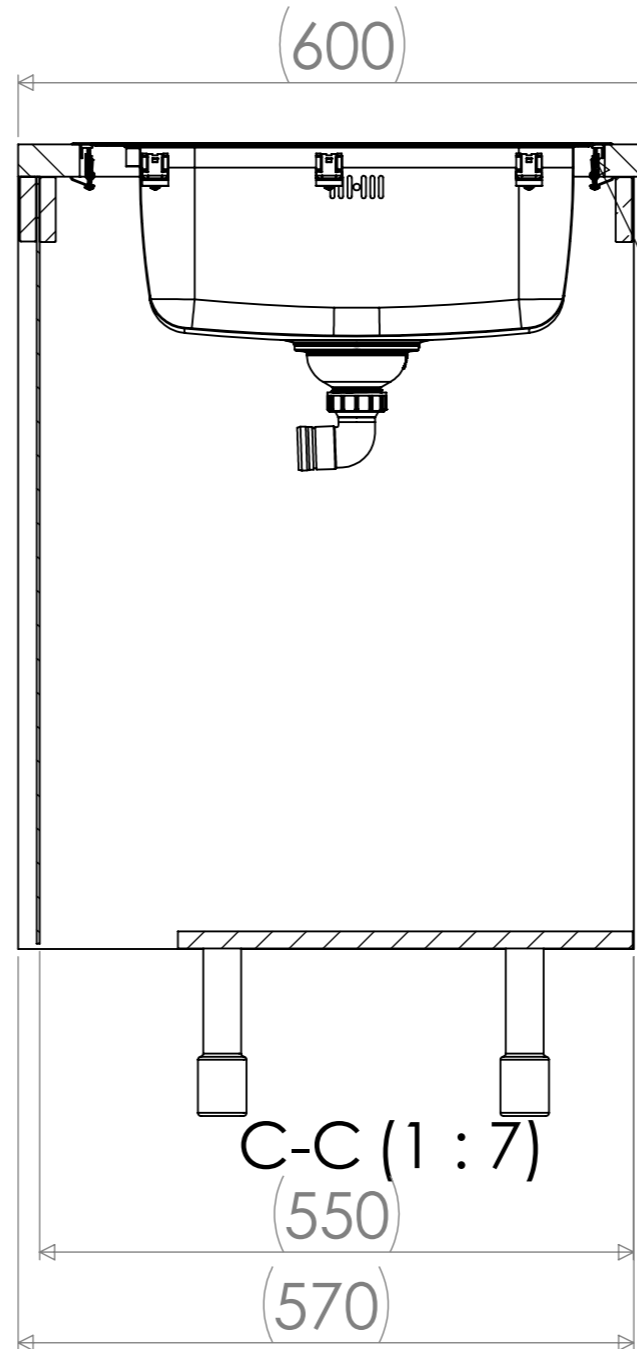
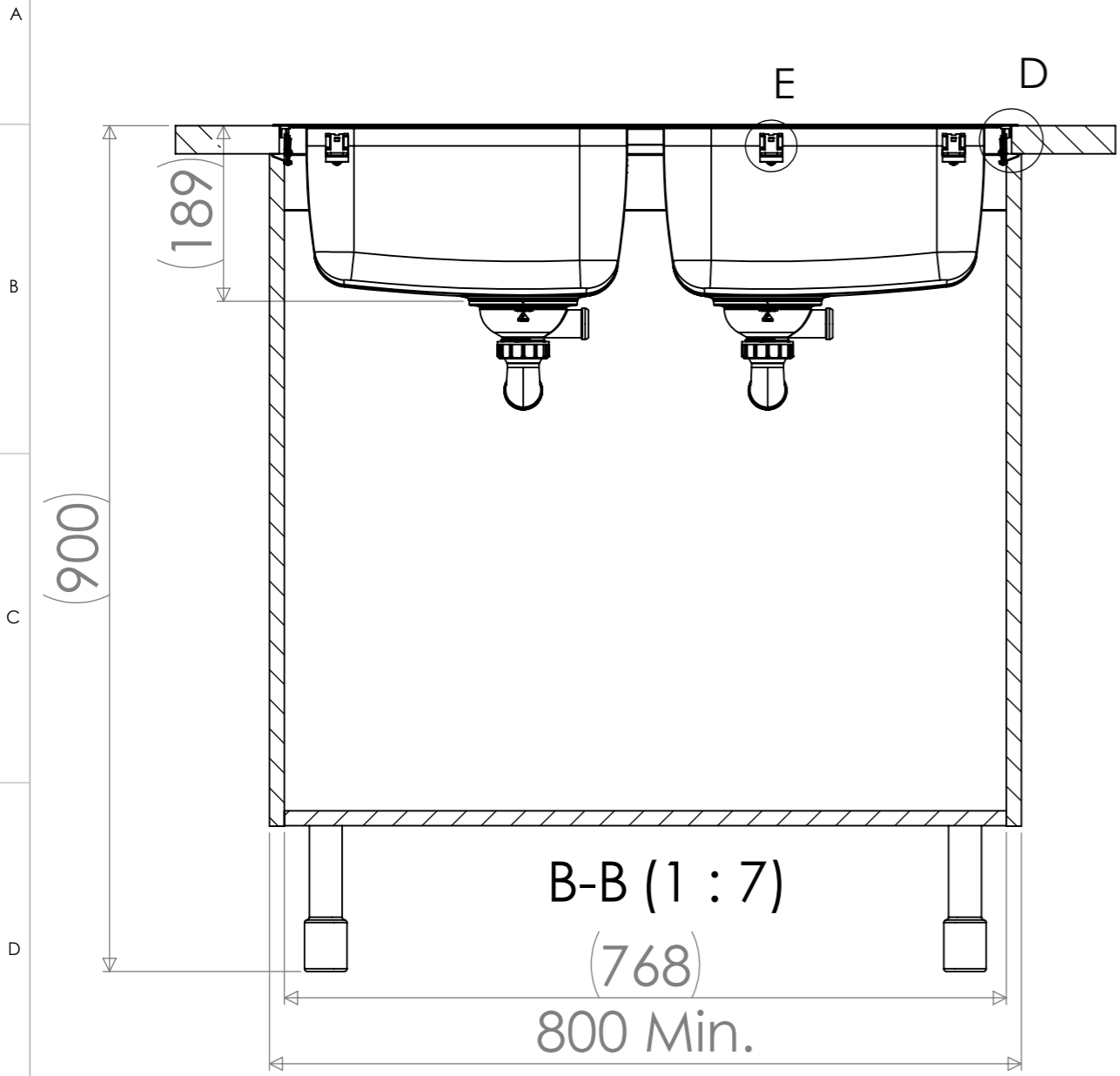


	Mass	25.75 kg	General tolerance	Designed by	Date	
	Size	A3	Scale	1:5	Item	JP
 www.stala.com	Description		PA-40-40	Approved by	Date	
	Technical Data Sheet		10665	Drawing number	Sheet/sheets	
				2/6	Rev	B

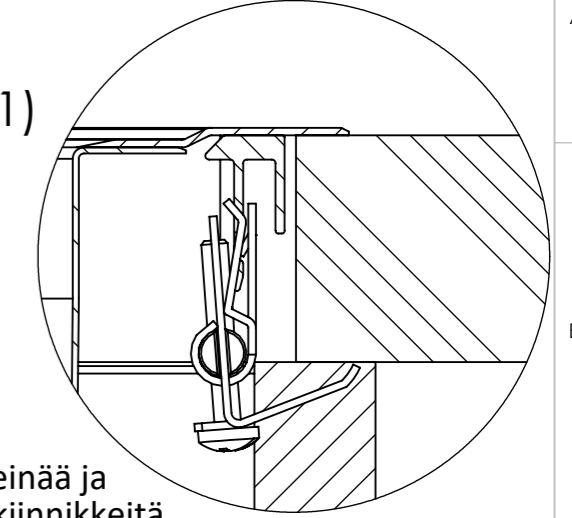
SPACE REQUIREMENTS

Change description
Siphon updated

Date
04.06.2020
Designed by
VS



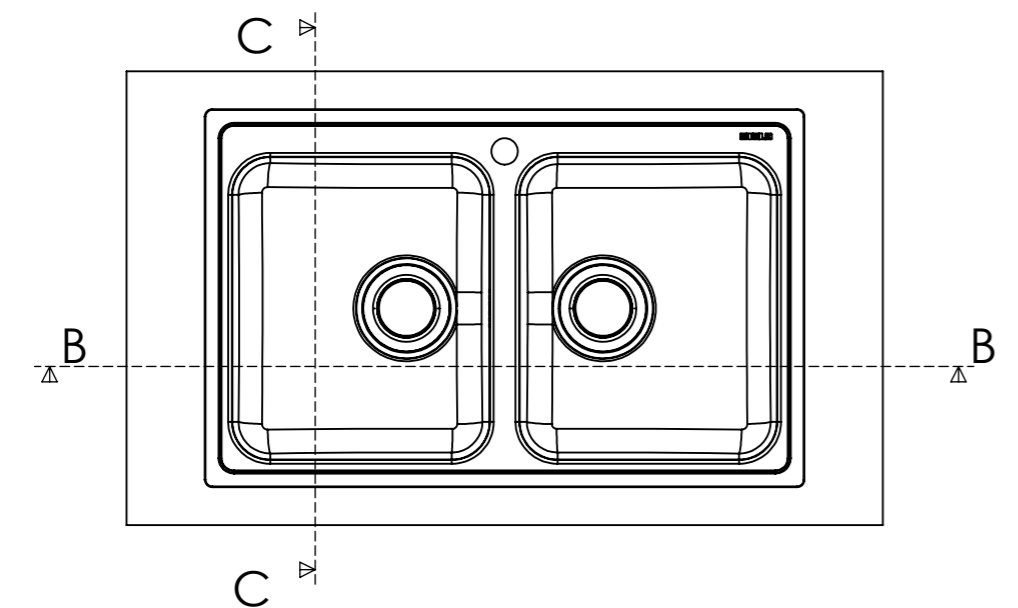
D (1 : 1)



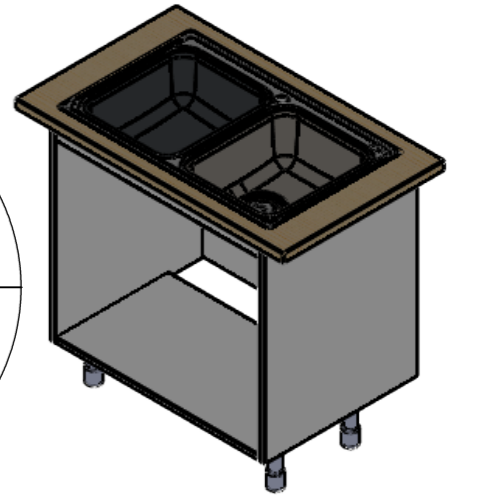
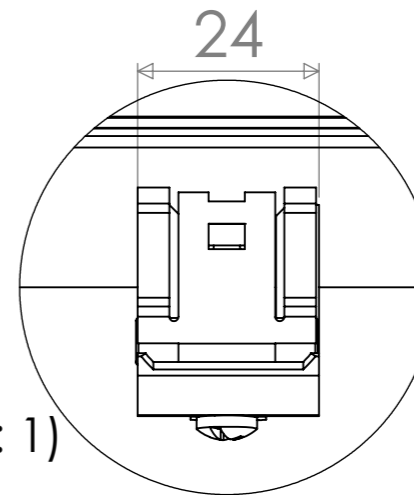
Huom!
Tarvittaessa kaapin väliseinää ja etu/takalistaa lovettava kiinnikkeitä varten ja pesuallas on kiinnitettävä ennen työtason asennusta.

Obs!
Vid behov måste en inskärning för hofästena göras i skåpets mellanvägg och förbindningslist och diskbänken måste fästas innan du monterar bänkskivan.

Notice!
The partition walls and front/back list of the cupboard must be notched for the sink mountings when needed and the sink must be fastened before installing the worktop.



E (1 : 1)



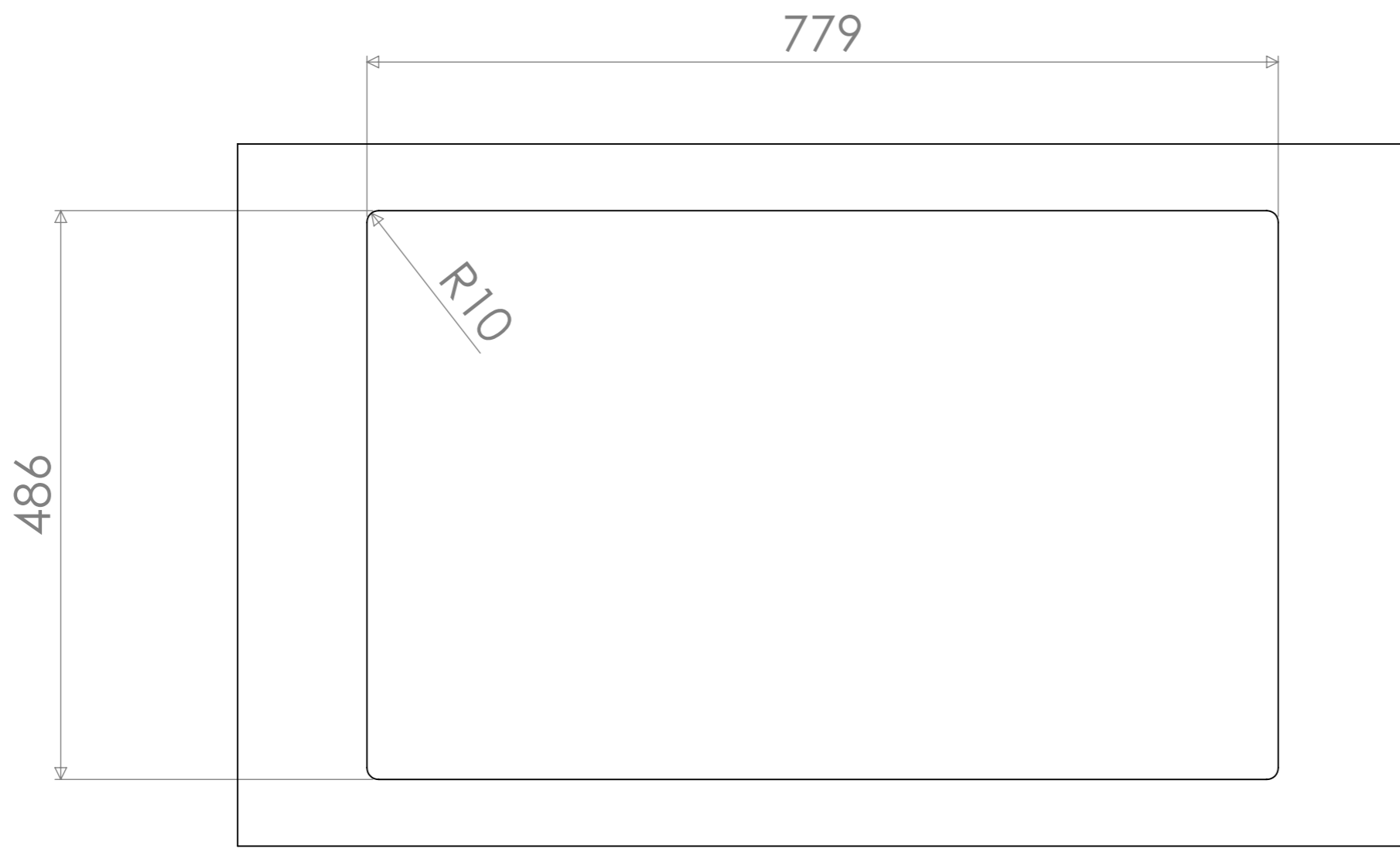
 www.stala.com	Mass 25.75 kg	General tolerance	Designed by JP	Date 06.11.2012
	Size A3	Scale 1:10	Item	Approved by
Description PA-40-40 Technical Data Sheet			Drawing number 10665	Sheet/sheets 3/6 Rev B

CUT-OUT FOR BUILT-ON

Change description
Siphon updated

Date
04.06.2020

Designed by
VS



	Mass	25.75 kg	General tolerance	Designed by	JP	Date	06.11.2012
	Size	A3	Scale	1:5	Item	Approved by	Date
 www.stala.com	Description		PA-40-40	Drawing number		Sheet/sheets	
	Technical Data Sheet			10665		4/6	
						Rev	B

STELA

