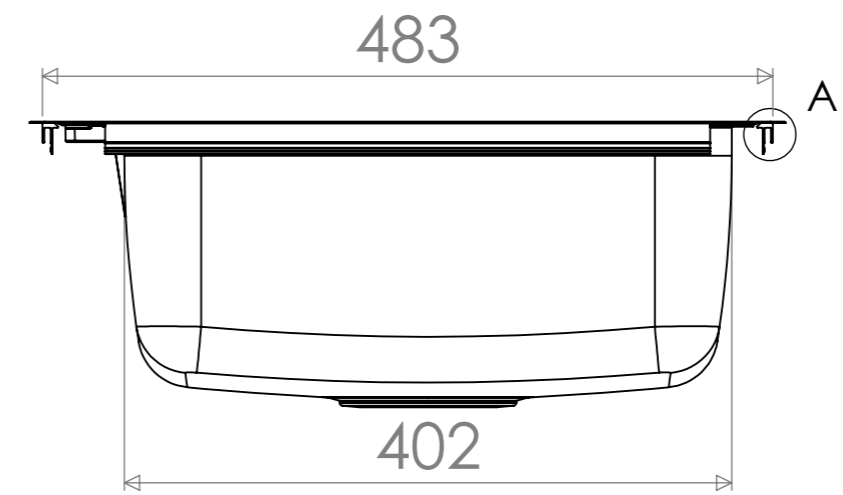
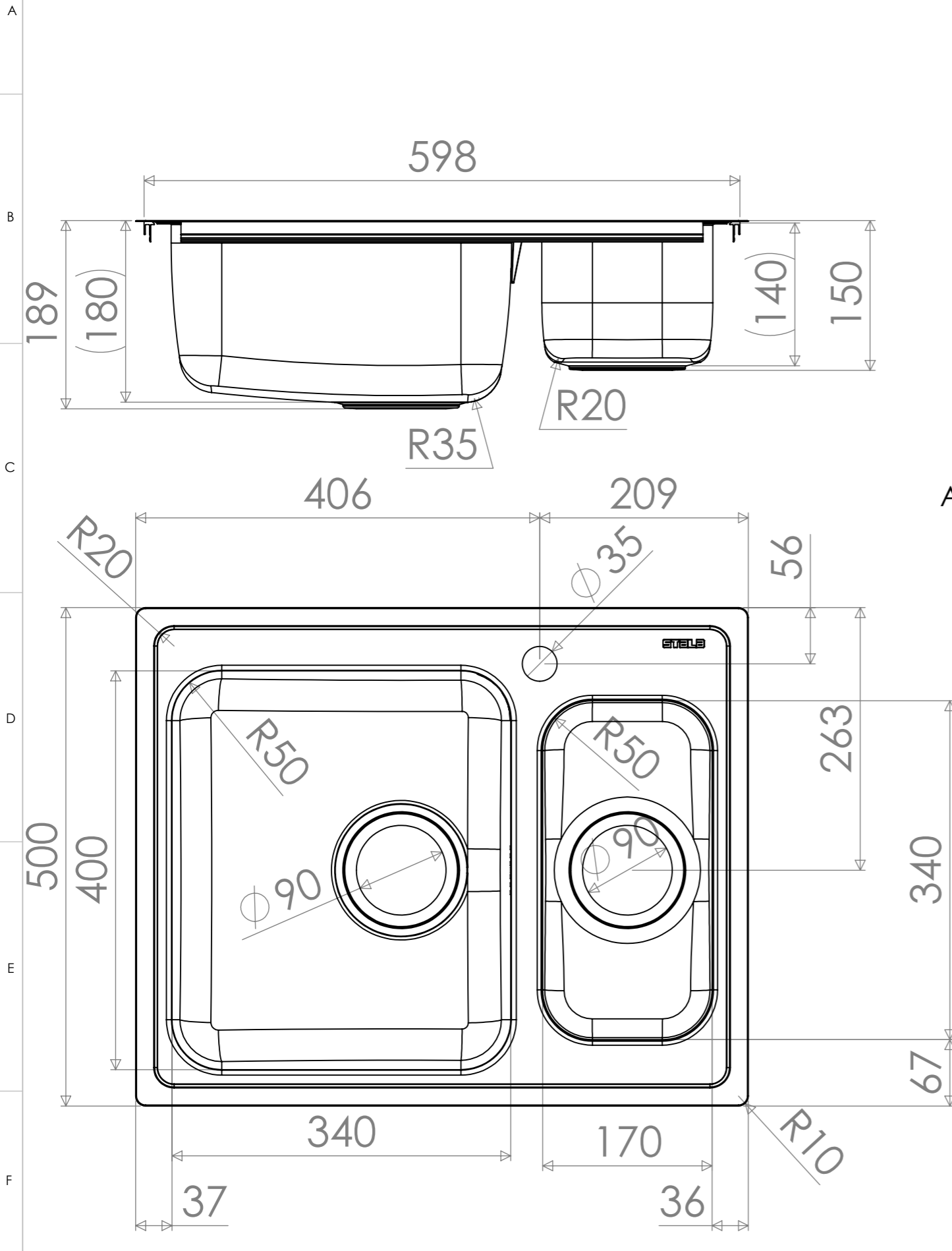


MAIN DIMENSIONS

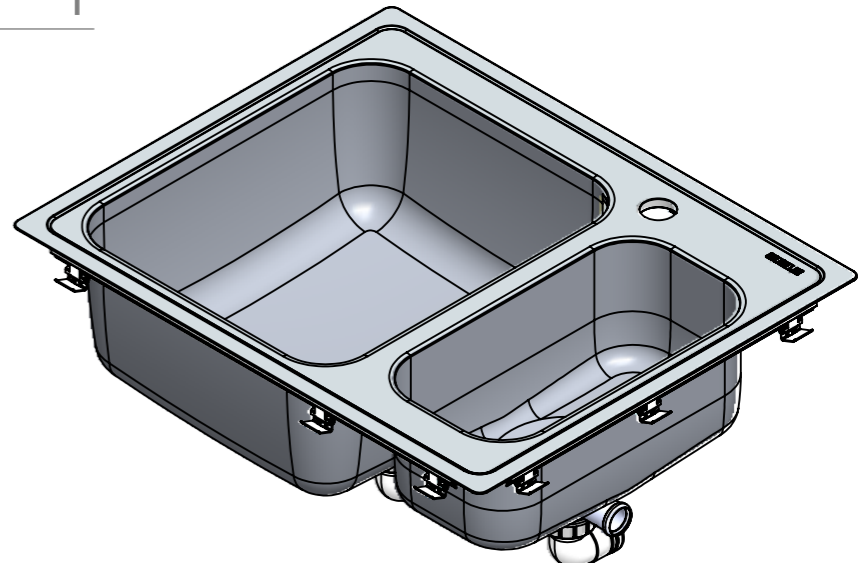
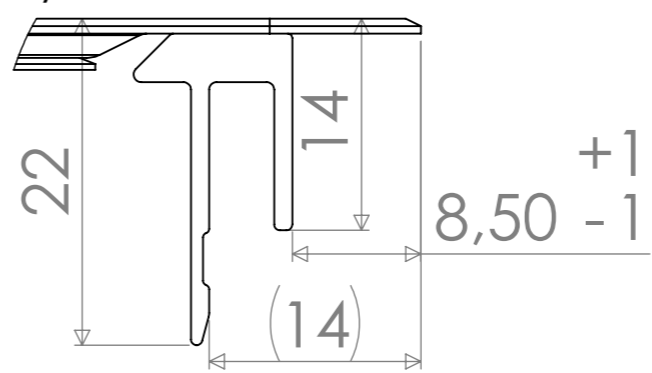
Change description
Siphon updated

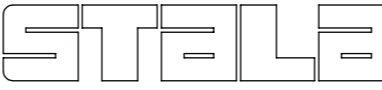
Date
04.06.2020

Designed by
VS



A (2:1)



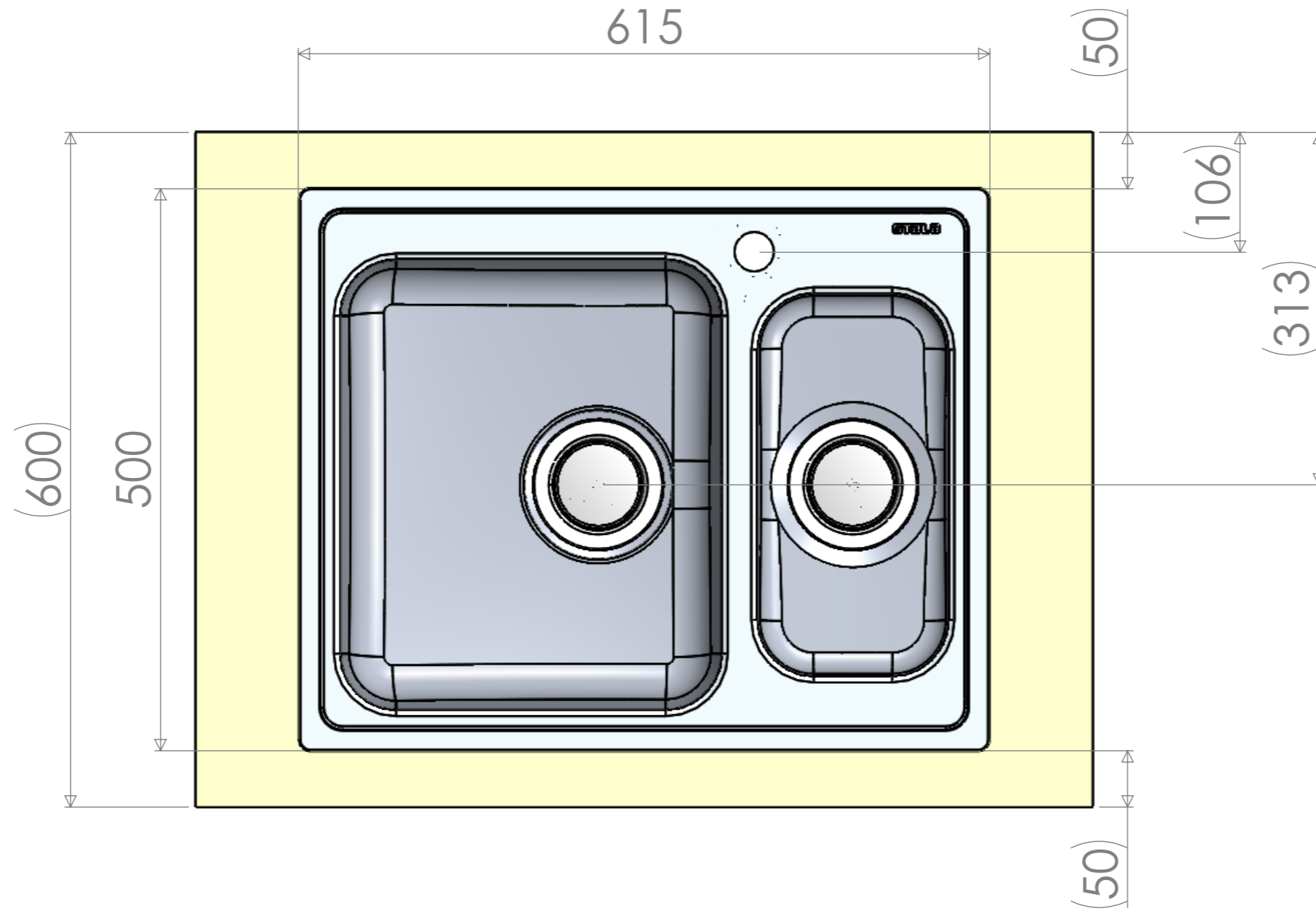
 www.stala.com	Mass 27.33 kg	General tolerance Item	Designed by JP	Date 30.10.2012
	Size A3		Scale 1:5	Approved by
Description PF-40-17L Technical Data Sheet			Drawing number 10538	Sheet/sheets 1/6
				Rev C

WORKTOP ASSEMBLY

Change description
Siphon updated

Date
04.06.2020

Designed by
VS

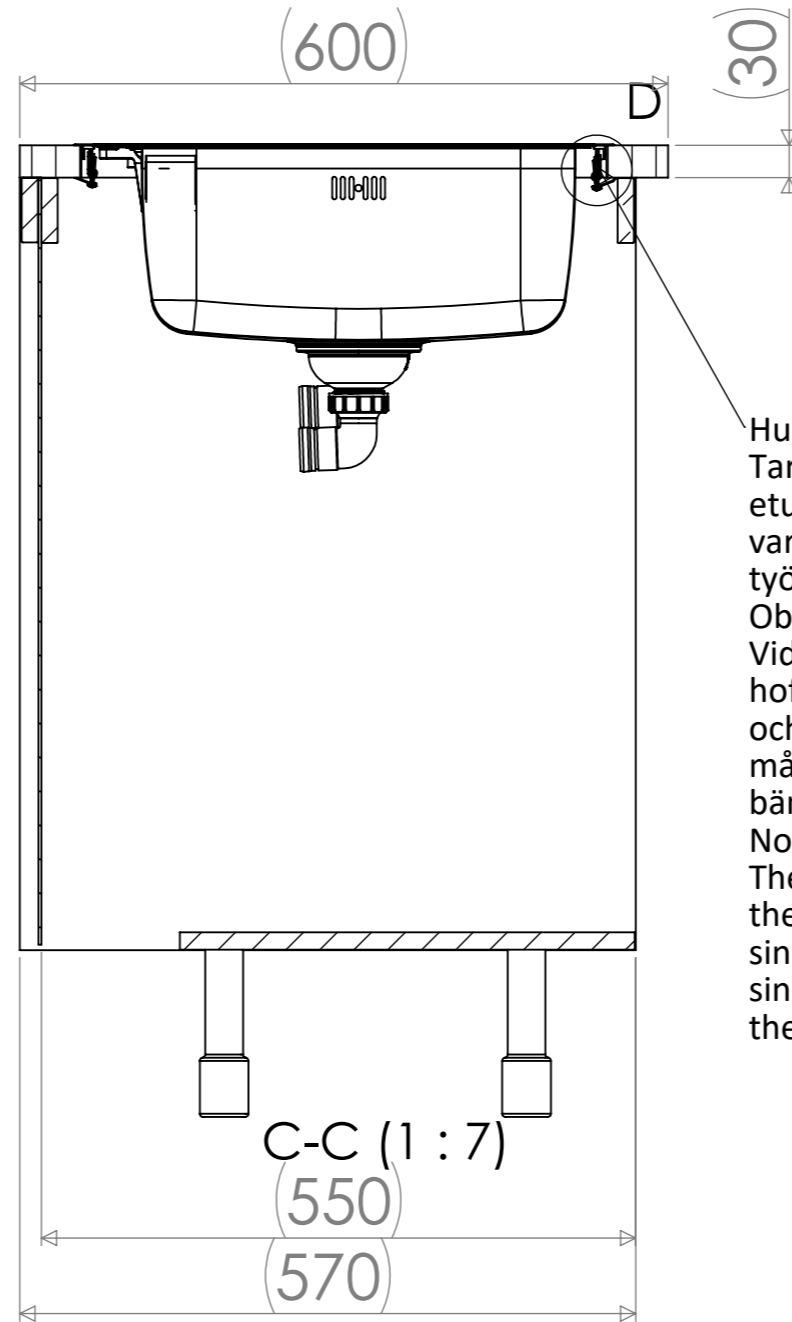
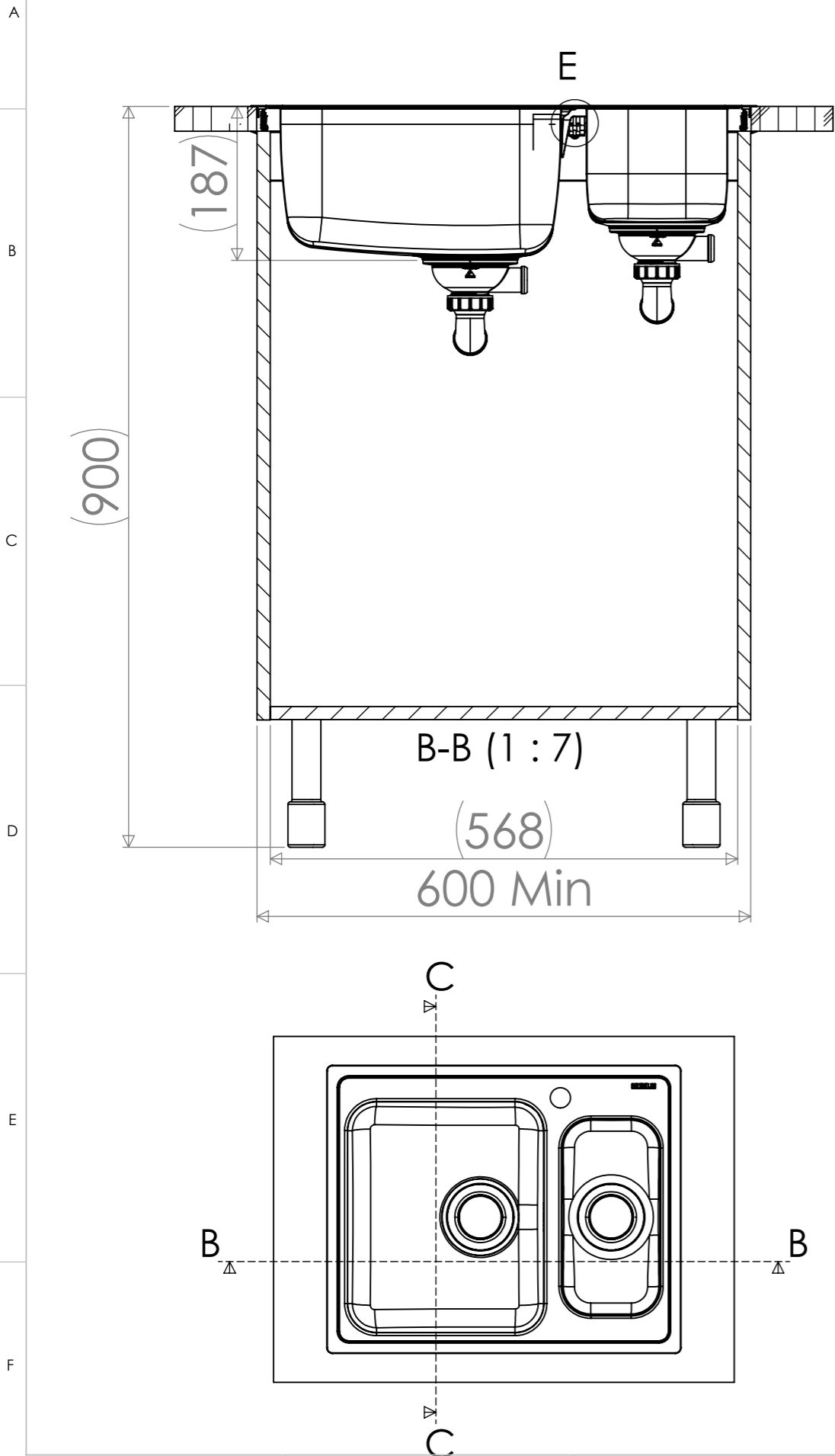


	Mass	27.33 kg	General tolerance	Designed by	Date	
	Size	A3	Scale	1:5	Item	JP
 www.stala.com	Description		PF-40-17L	Approved by	Date	
	Technical Data Sheet		Drawing number	10538	Sheet/sheets	2/6
			Rev	C		

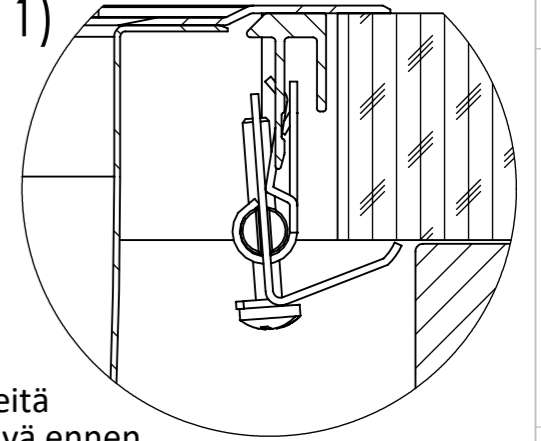
SPACE REQUIREMENTS

Change description
Siphon updated

Date 04.06.2020
Designed by VS



D (1 : 1)

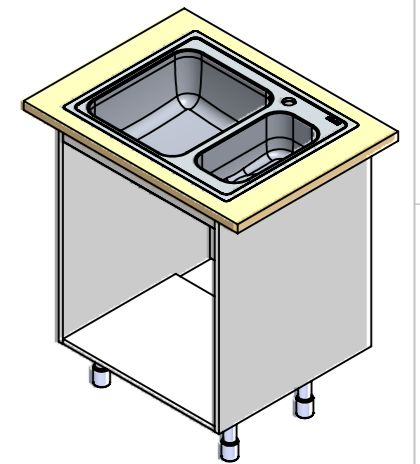
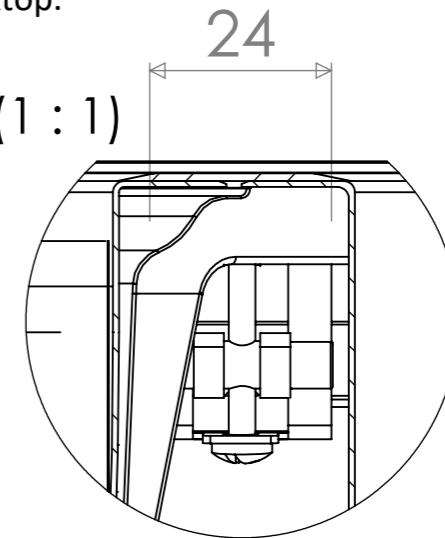


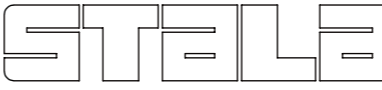
Huom!
Tarvittaessa kaapin väliseinää ja etu/takalistaa lovetettava kiinnikkeitä varten ja pesuallas on kiinnitettävä ennen työtason asennusta.

Obs!
Vid behov måste en inskärning för hofästena göras i skåpets mellanvägg och förbindningslist och diskbänken måste fästas innan du monterar bänkskivan.

Notice!
The partition walls and front/back list of the cupboard must be notched for the sink mountings when needed and the sink must be fastened before installing the worktop.

E (1 : 1)



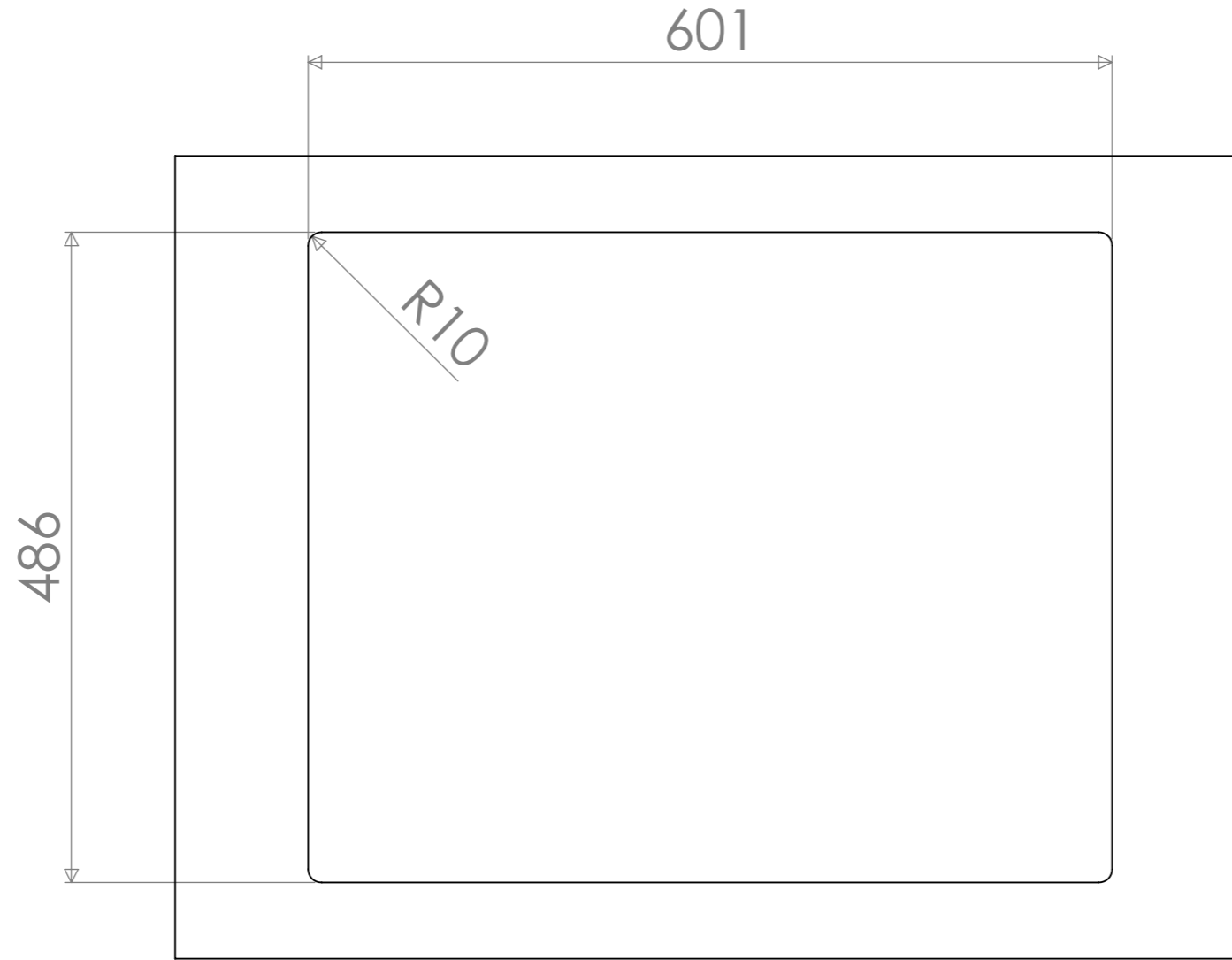
 www.stala.com	Mass 27.33 kg	General tolerance	Designed by JP	Date 30.10.2012
	Size A3	Scale 1:10	Item	Approved by
Description PF-40-17L Technical Data Sheet			Drawing number 10538	Sheet/sheets 3/6 Rev C

CUT-OUT FOR BUILT-ON

Change description
Siphon updated

Date
04.06.2020

Designed by
VS



	Mass	27.33 kg	General tolerance	Designed by	JP	Date	30.10.2012
	Size	A3	Scale	1:5	Item	Approved by	Date
 www.stala.com	Description		PF-40-17L	Drawing number		Sheet/sheets	4/6
	Technical Data Sheet			10538		Rev	C

STALB

