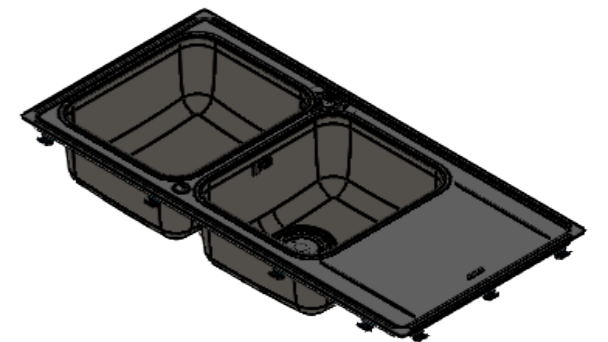
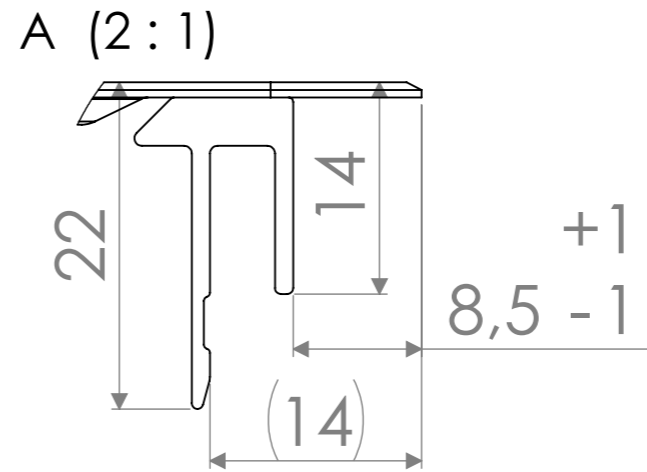
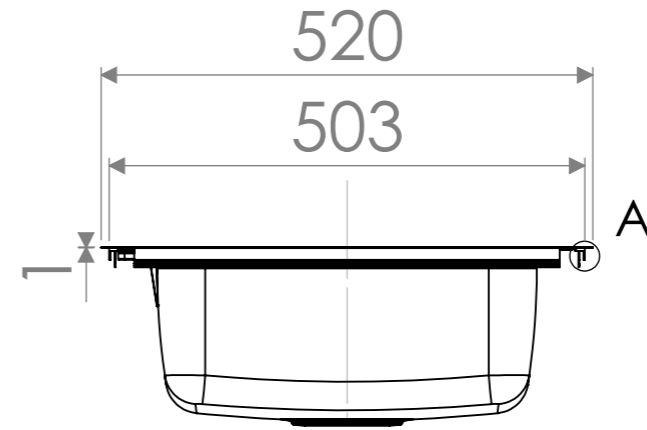
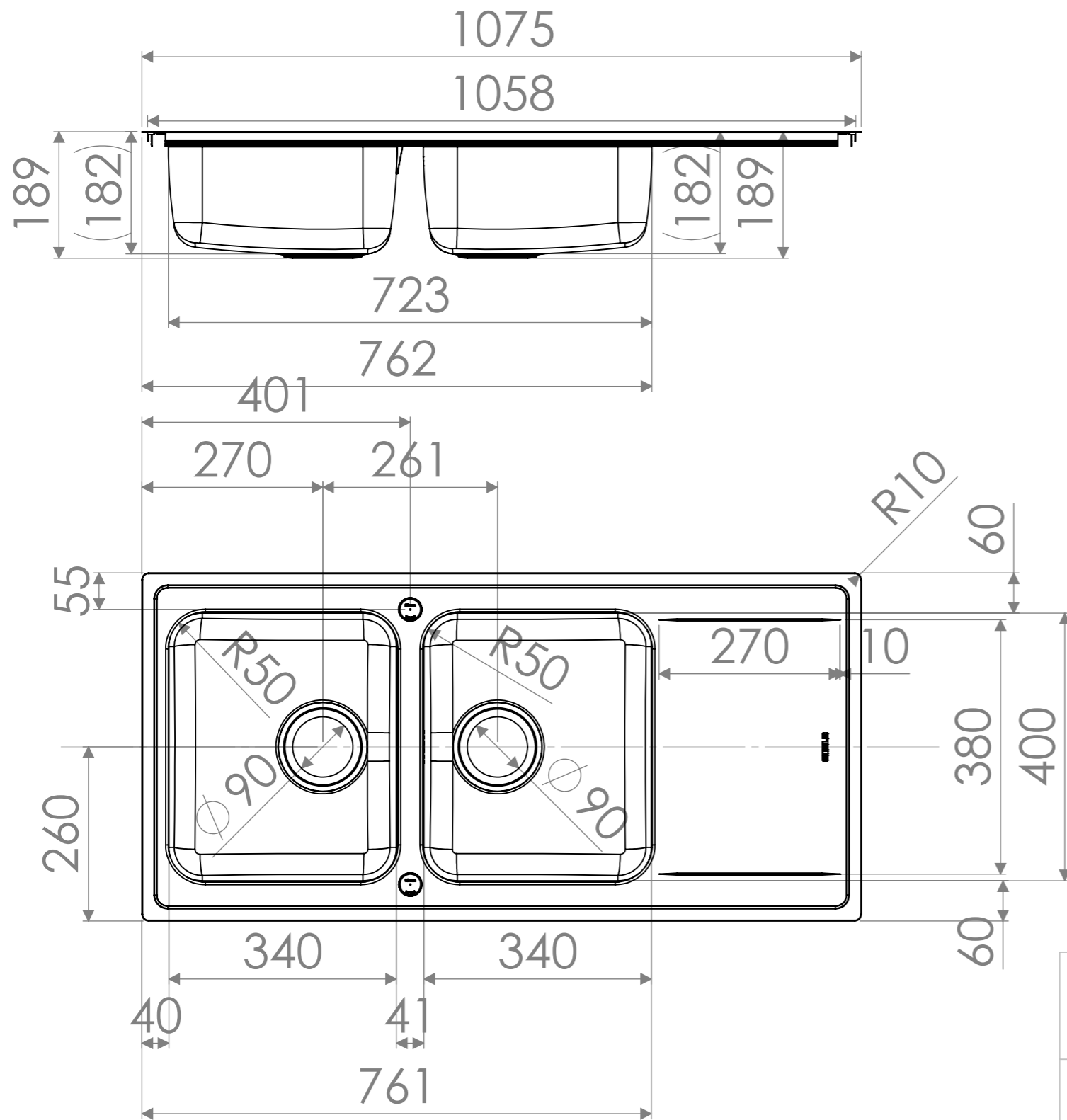


MAIN DIMENSIONS

Change description
Siphon updated

Date
11.06.2020

Designed by
VS



Scale 1:10

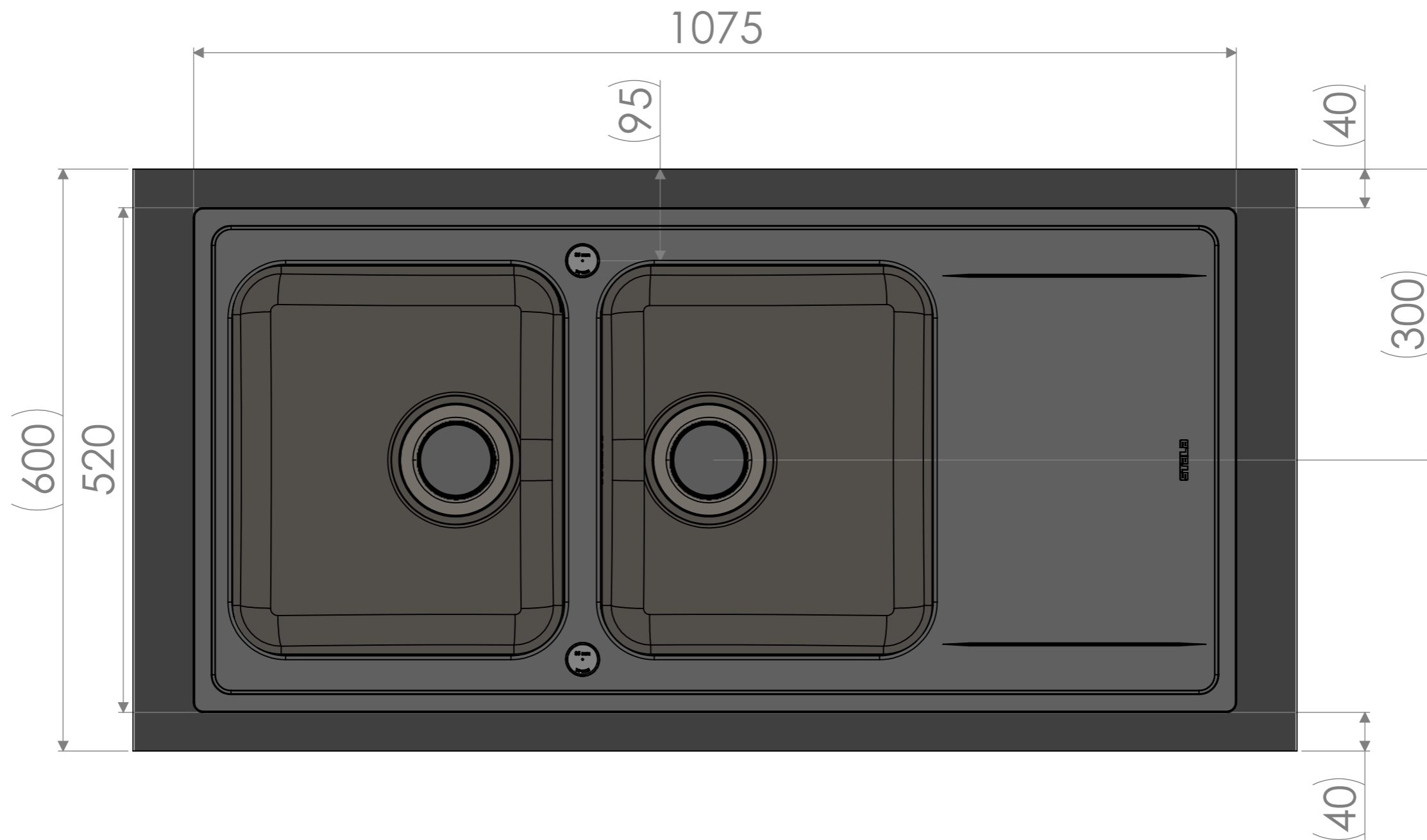
	Mass	32.71 kg	General tolerance	ISO-2768-m	Designed by	JP	Date	18.6.2007
	Size	A3	Scale	1:8	Item	EASE	Approved by	
	Description			MA-40-40S	Drawing number	10105	Sheet/sheets	1/6
	www.stala.com			Technical Data Sheet			Rev	P

WORKTOP ASSEMBLY

Change description
Siphon updated

Date
11.06.2020

Designed by
VS

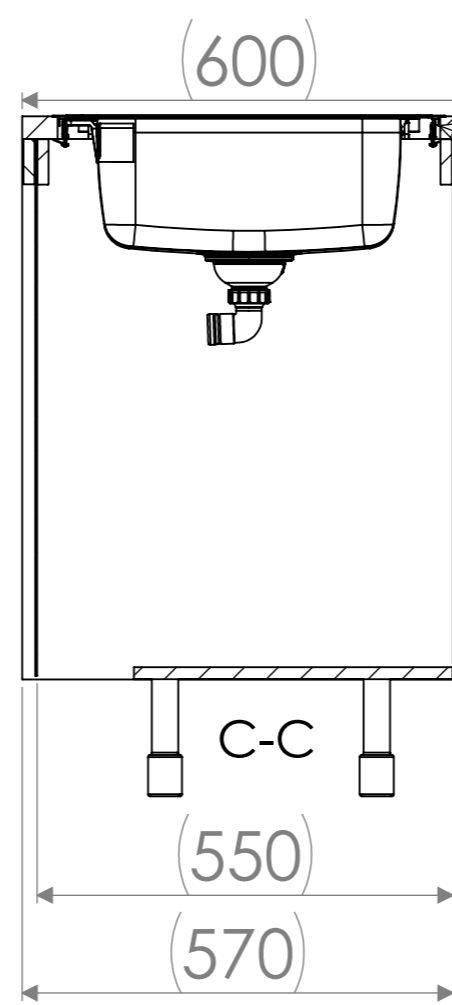
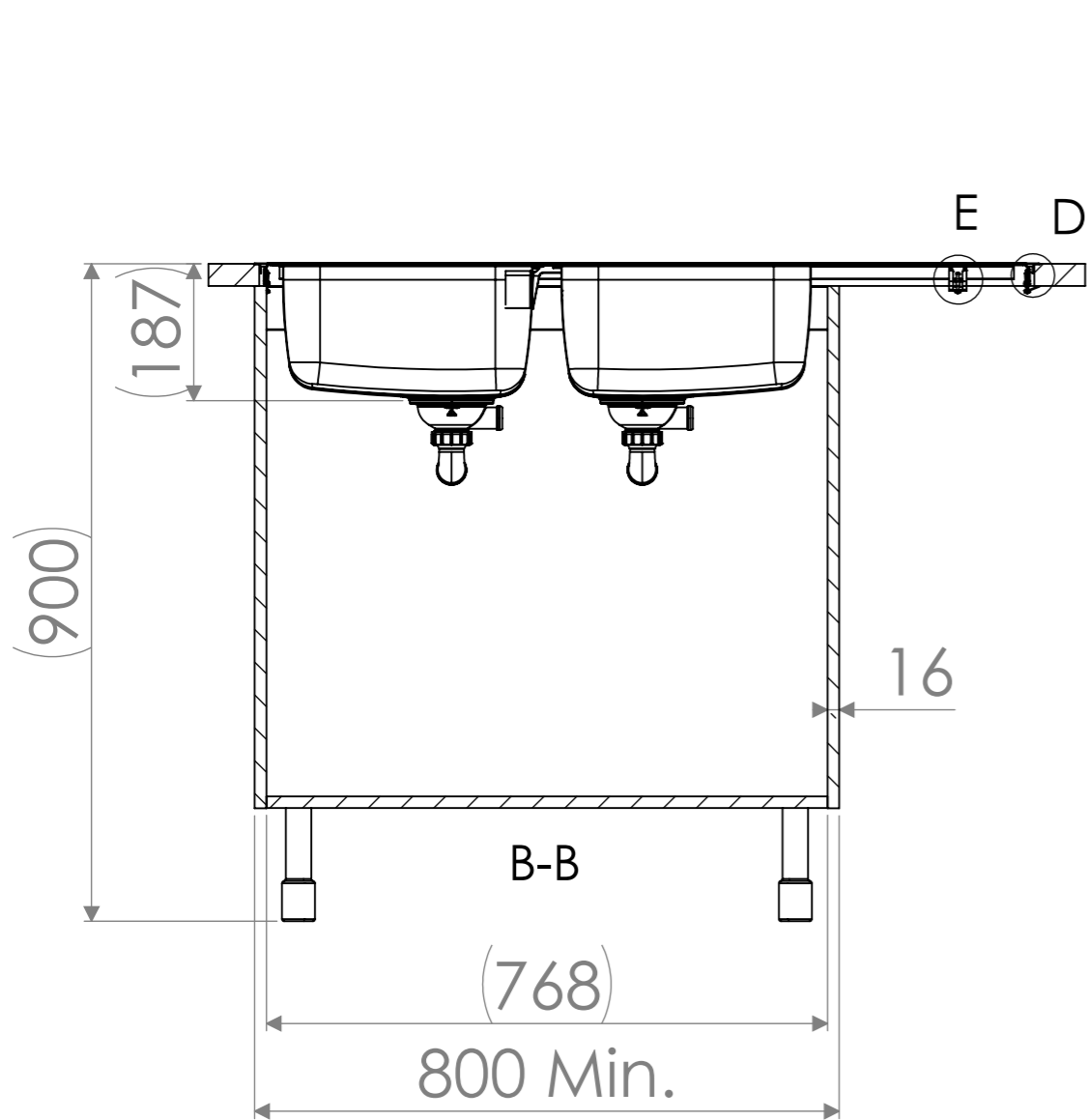


	Mass	32.71 kg	General tolerance	ISO-2768-m	Designed by	JP	Date	18.6.2007
	Size	A3	Scale	1:5	Item	EASE	Approved by	Date
 www.stala.com	Description		MA-40-40S		Drawing number		Sheet/sheets	
	Technical Data Sheet		10105		2/6		Rev	
								P

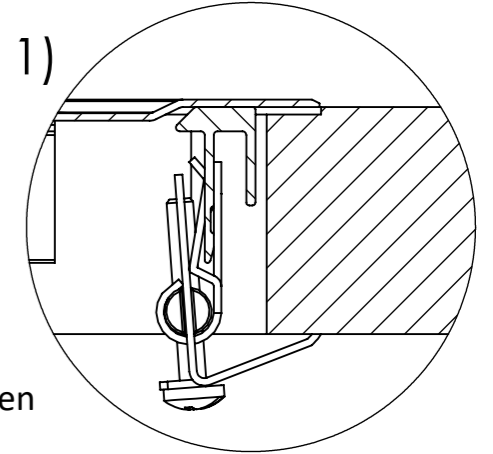
SPACE REQUIREMENTS

Change description
Siphon updated

Date 11.06.2020
Designed by VS



D (1 : 1)

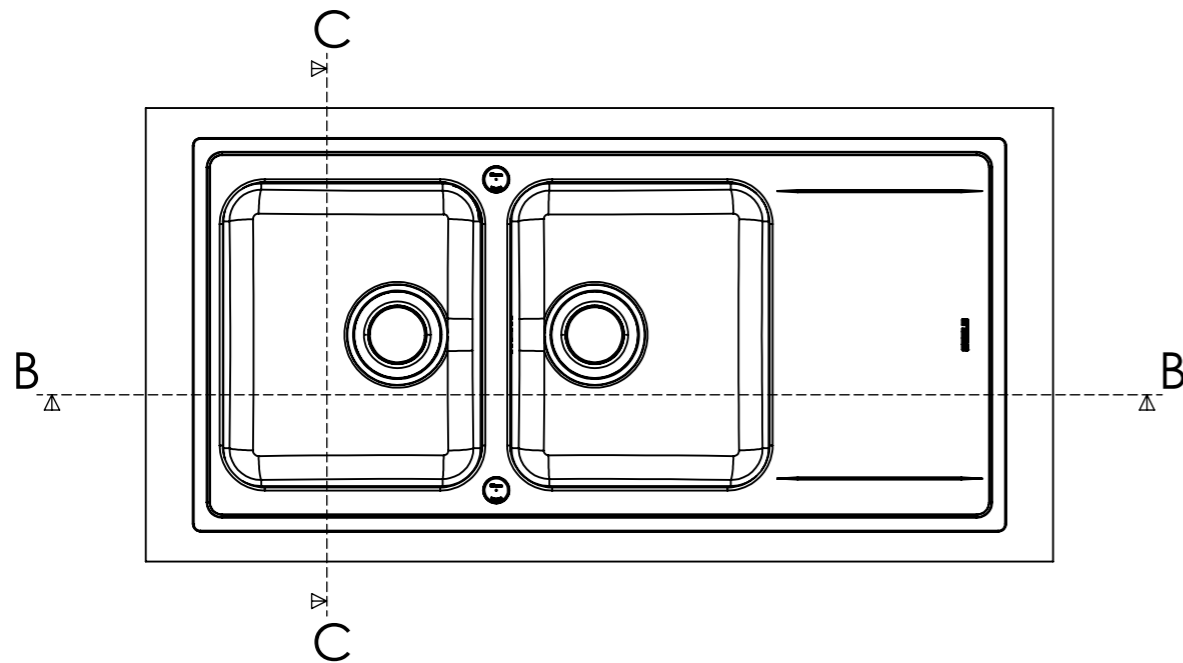
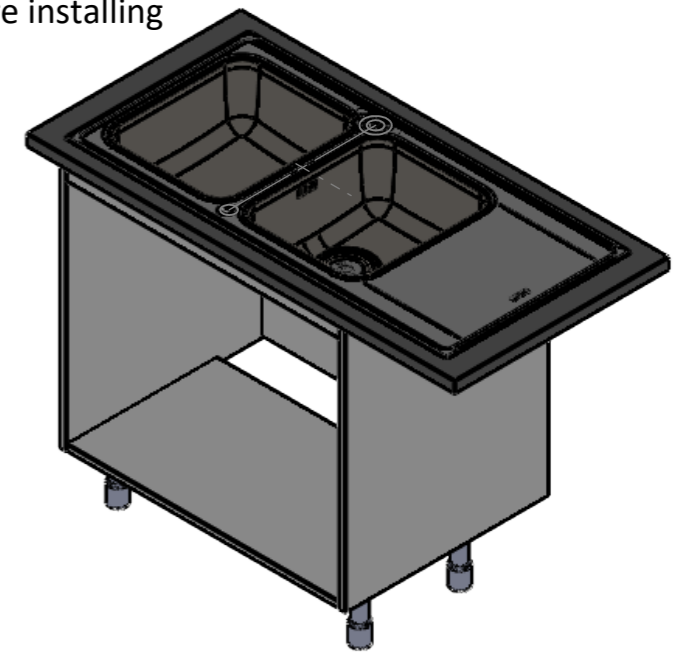
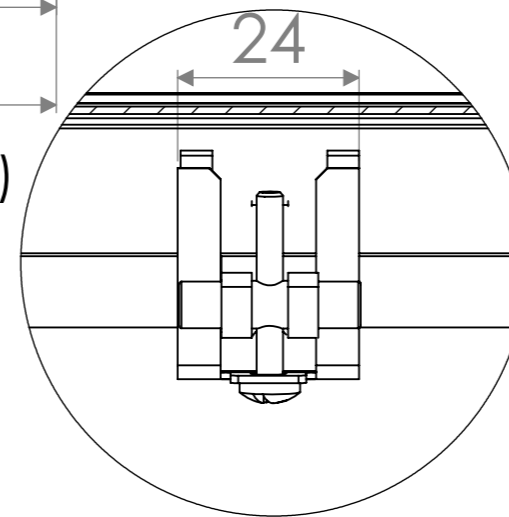


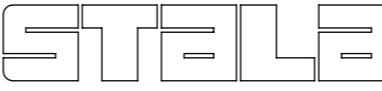
Huom!
Tarvittaessa kaapin väliseinää ja etu/takalistaa lovettava kiinnikkeitä varten ja pesuallas on kiinnitettävä ennen työtason asennusta.

Obs!
Vid behov måste en inskärning för hofästena göras i skåpets mellanvägg och förbindningslist och diskbänken måste fästas innan du monterar bänkskivan.

Notice!
The partition walls and front/back list of the cupboard must be notched for the sink mountings when needed and the sink must be fastened before installing the worktop.

E (1 : 1)



 www.stala.com	Mass 32.71 kg	General tolerance ISO-2768-m	Designed by JP	Date 18.6.2007
	Size A3	Scale 1:10	Item EASE	Date
Description MA-40-40S			Drawing number 10105	Sheet/sheets 3/6
Technical Data Sheet			Rev P	

CUT - OUT FOR BUILT ON



	Massa	32.71 kg	Yleistoleranssi	ISO-2768-m	Suunnittelija	JP	Pvm	18.6.2007
	Mittakaava	A3 1:5	Nimike	EASE	Tarkastaja		Pvm	
	www.stala.com		Nimitys	MA-40-40S	Piirustusnumero	10105	Sivu	4/6
			Technical Data Sheet				Rev	P

